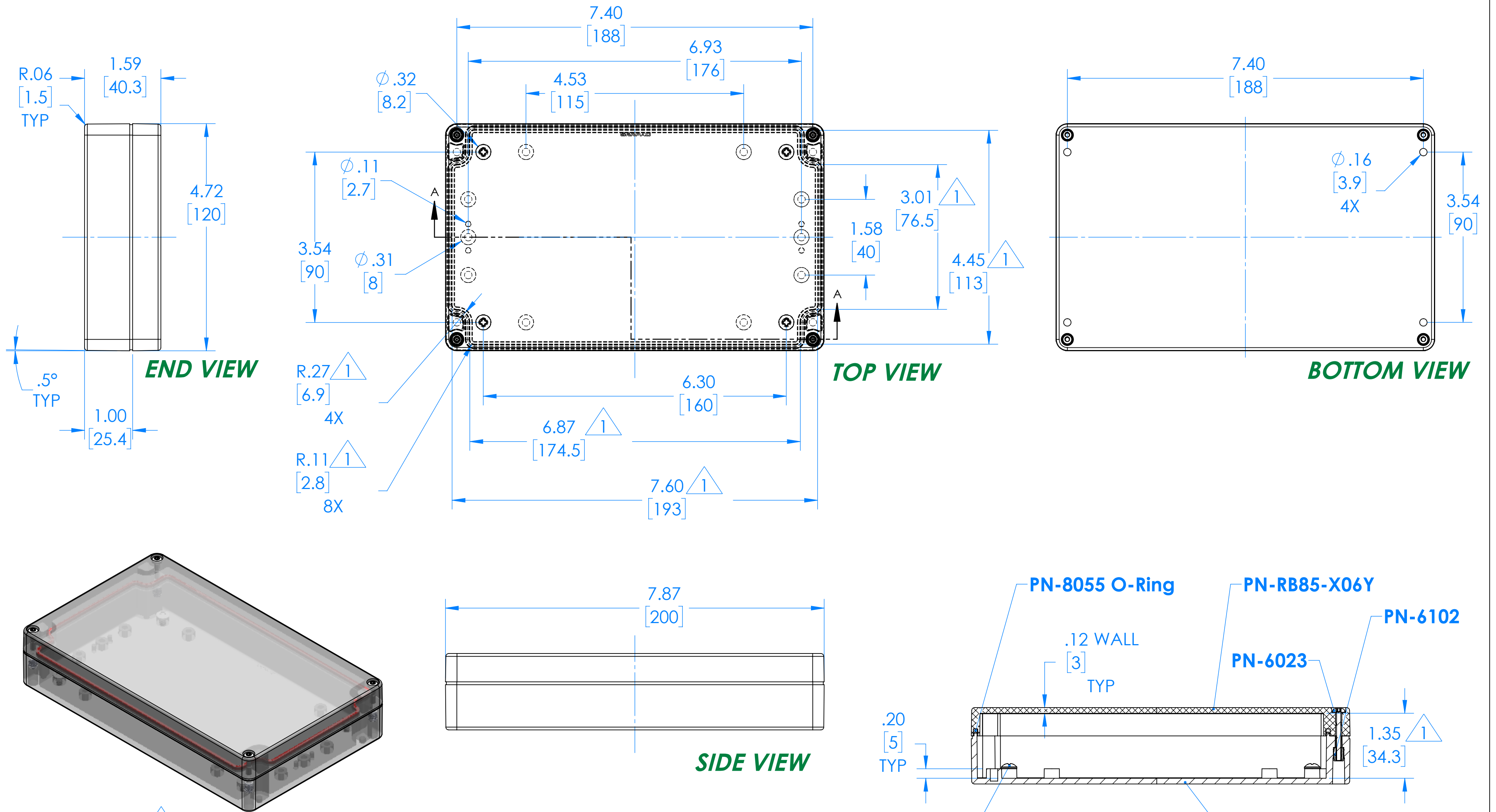


SERPAC RB85X06Y10Y

Electronic Enclosures

2



RB85X06C10C 2
 (Part shown, no material (X) specified)

| PN | Description |
|-----------|--------------------------------|
| RB85-X06Y | (1) RB85-X06Y, Top |
| RB85X10Y | (1) RB85X10Y, Bottom |
| 8085 | (1) RB85 O-Ring |
| 6023 | (4) #4-40 Torx 10 Hd Screw |
| 6022 | (4) #10 High/Low Pan Hd x 1/4" |
| 6102 | (4) #4-40 Threaded Insert |

- 1 = INTERIOR DIMENSIONS (@ BOTTOM)
- 2 = STANDARD COLORS (Y) ARE: BLACK (B), CLEAR (C) AND GRAY (G)
 TOPS AND BOTTOMS ALL POSSIBLE COMBINATIONS AVAILABLE
 STANDARD MATERIALS (X) ARE: POLYCARBONATE (P) AND ABS (A)

-Watertight enclosure meets or exceed Nema 4 and or IP67.

DIMENSIONS in Inch [mm]