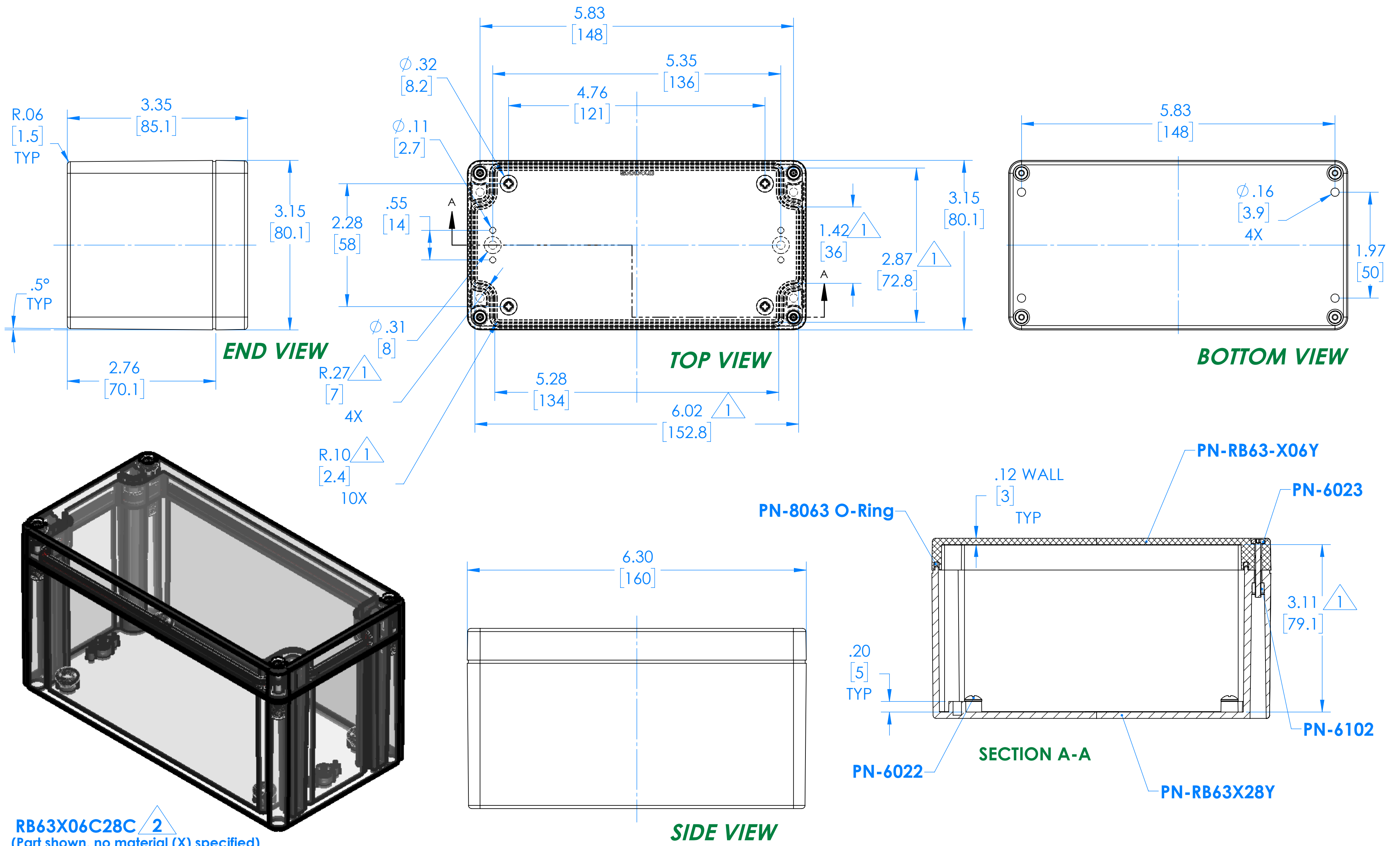


SERPAC RB63X06Y28Y 2

Electronic Enclosures



RB63X06C28C 2
 (Part shown, no material (X) specified)

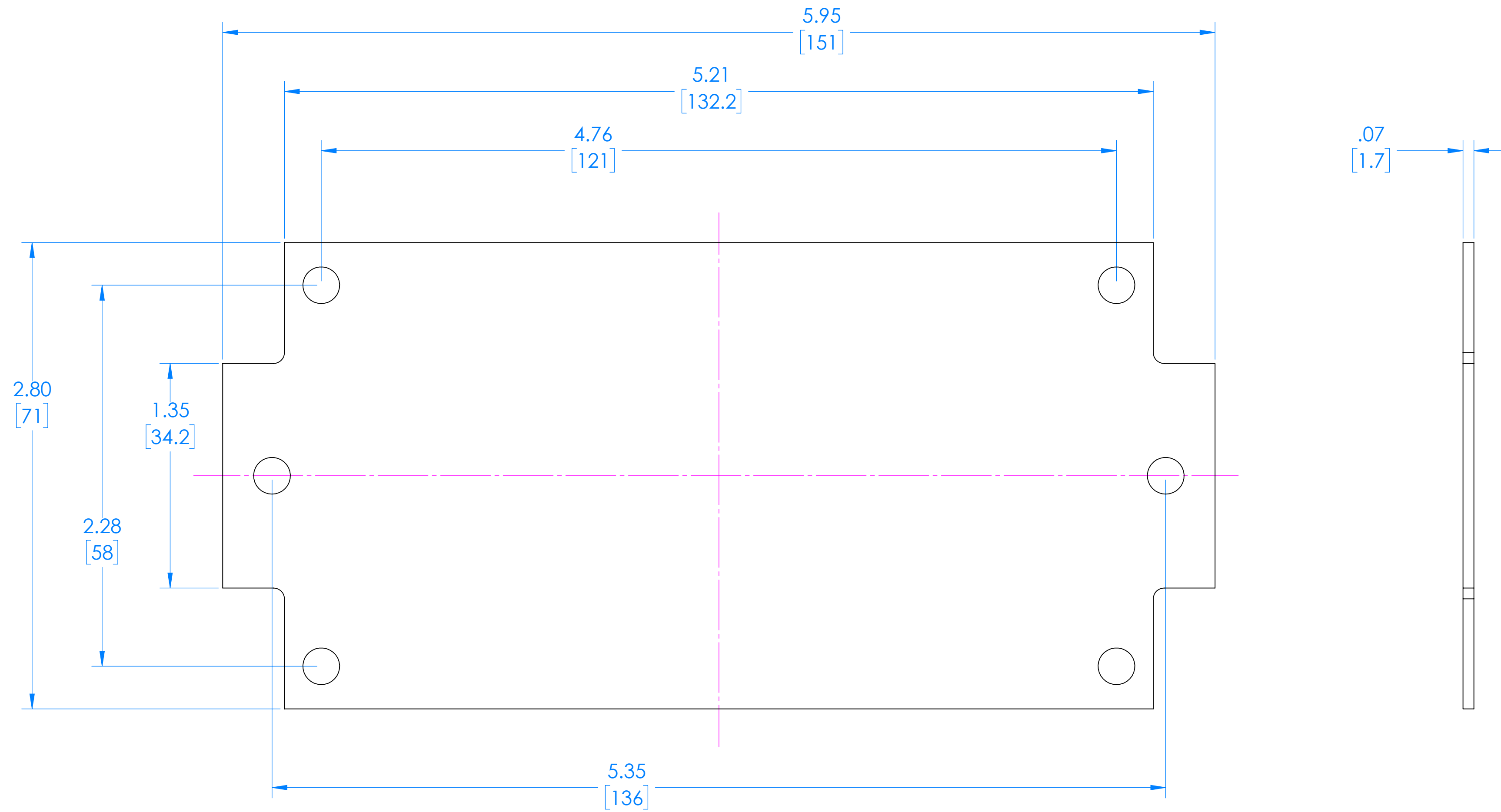
PN	Description
RB63-X06Y	(1) RB63X06Y, Top
RB63X28Y	(1) RB63X28Y, Bottom
8063	(1) RB63 O-Ring
6023	(4) #4-40 Torx 10 Hd Screw
6022	(4) #10 High/Low Pan Hd x 1/4"
6102	(4) #4-40 Threaded Insert

- 1 =INTERIOR DIMENSIONS (@ BOTTOM)
- 2 =STANDARD COLORS (Y) ARE: BLACK (B), CLEAR (C) AND GRAY (G)
 TOPS AND BOTTOMS ALL POSSIBLE COMBINATIONS AVAILABLE
 STANDARD MATERIALS (X) IS: POLYCARBONATE (P)

-Watertight enclosure meets or exceed Nema 4 and or IP67.

DIMENSIONS in Inch
 [mm]

RB63 Circuit Board (Fits all Parts starting with RB63)



(REFERENCE ONLY)