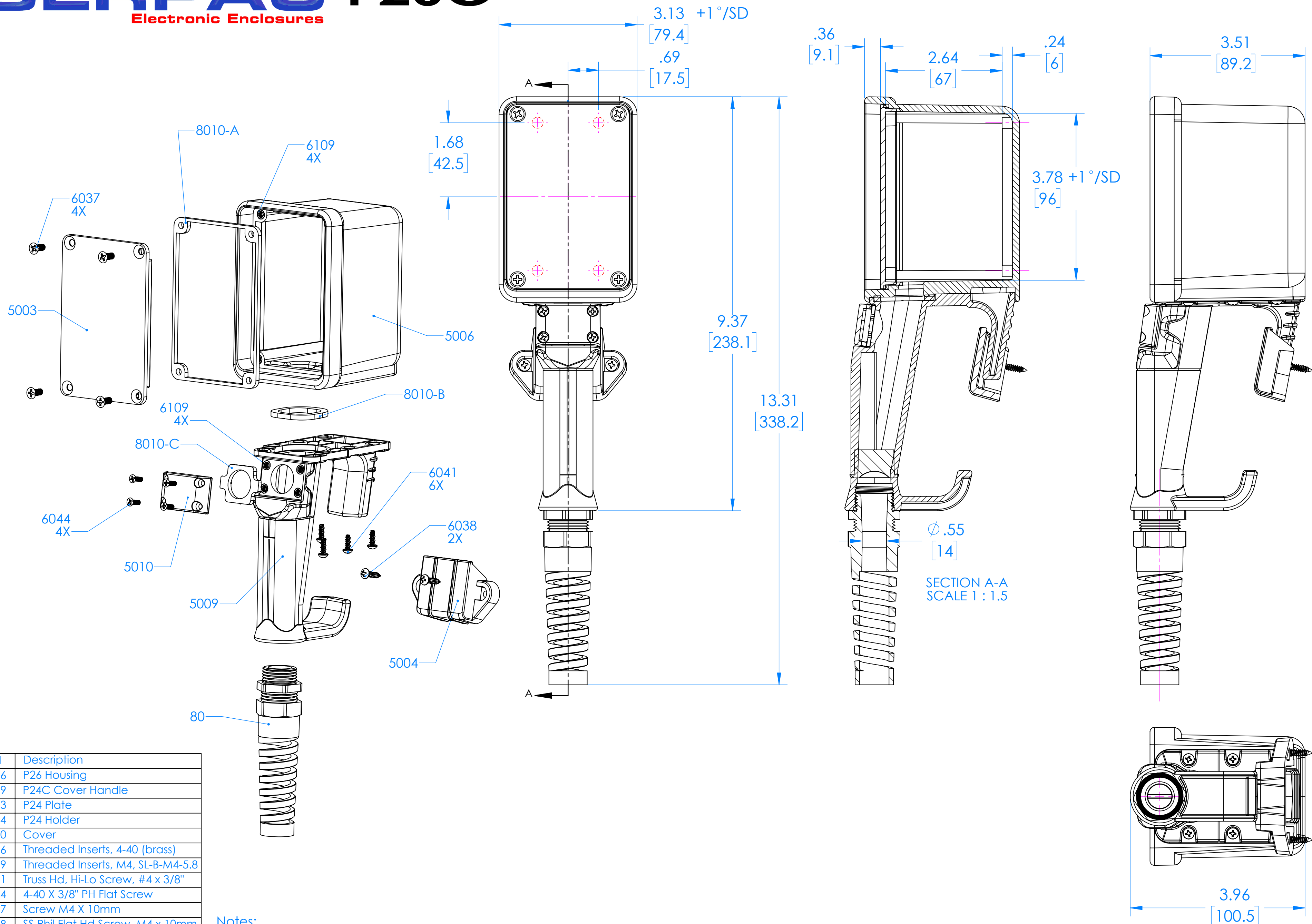


SERPAC P26C

Electronic Enclosures



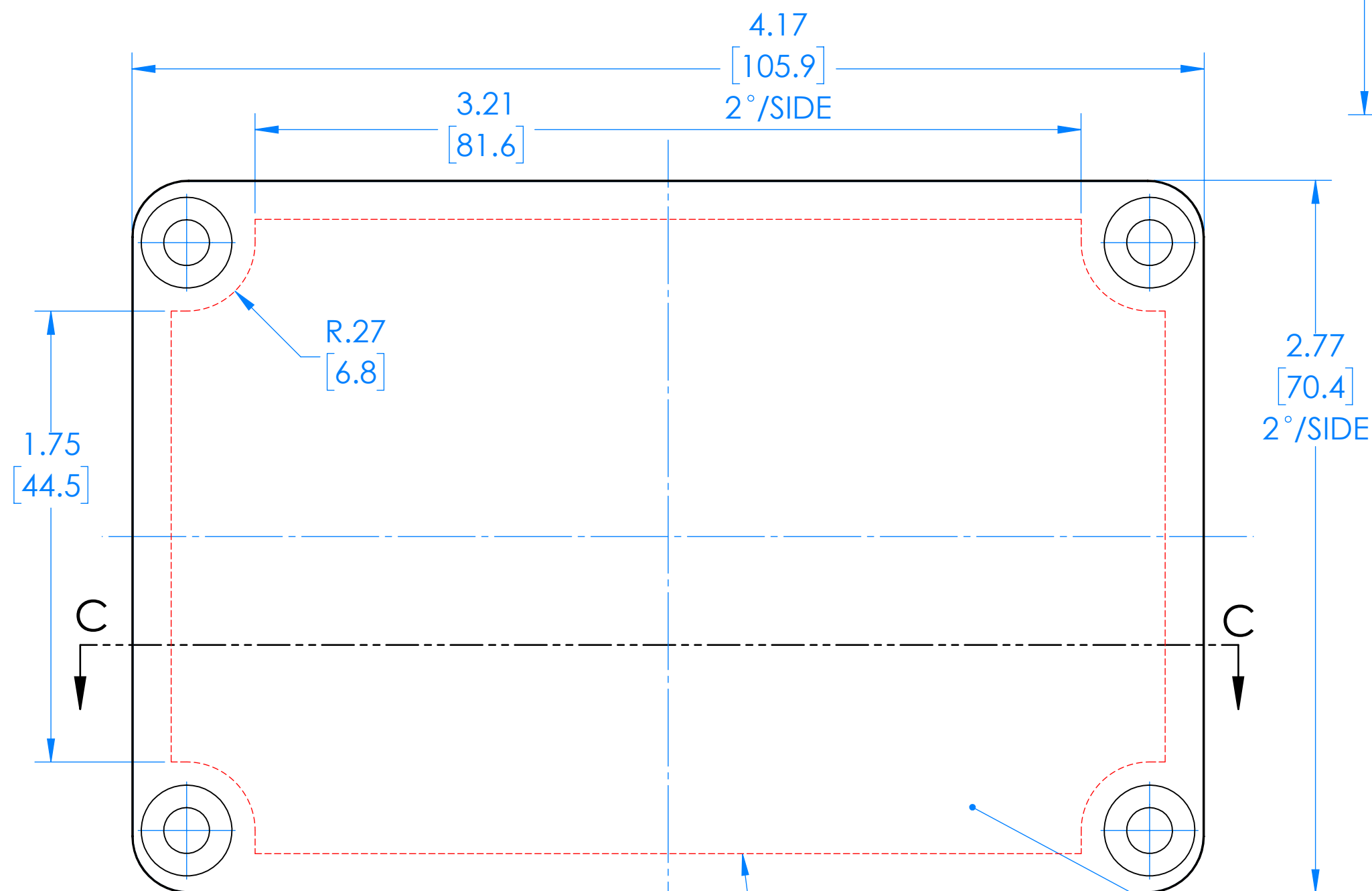
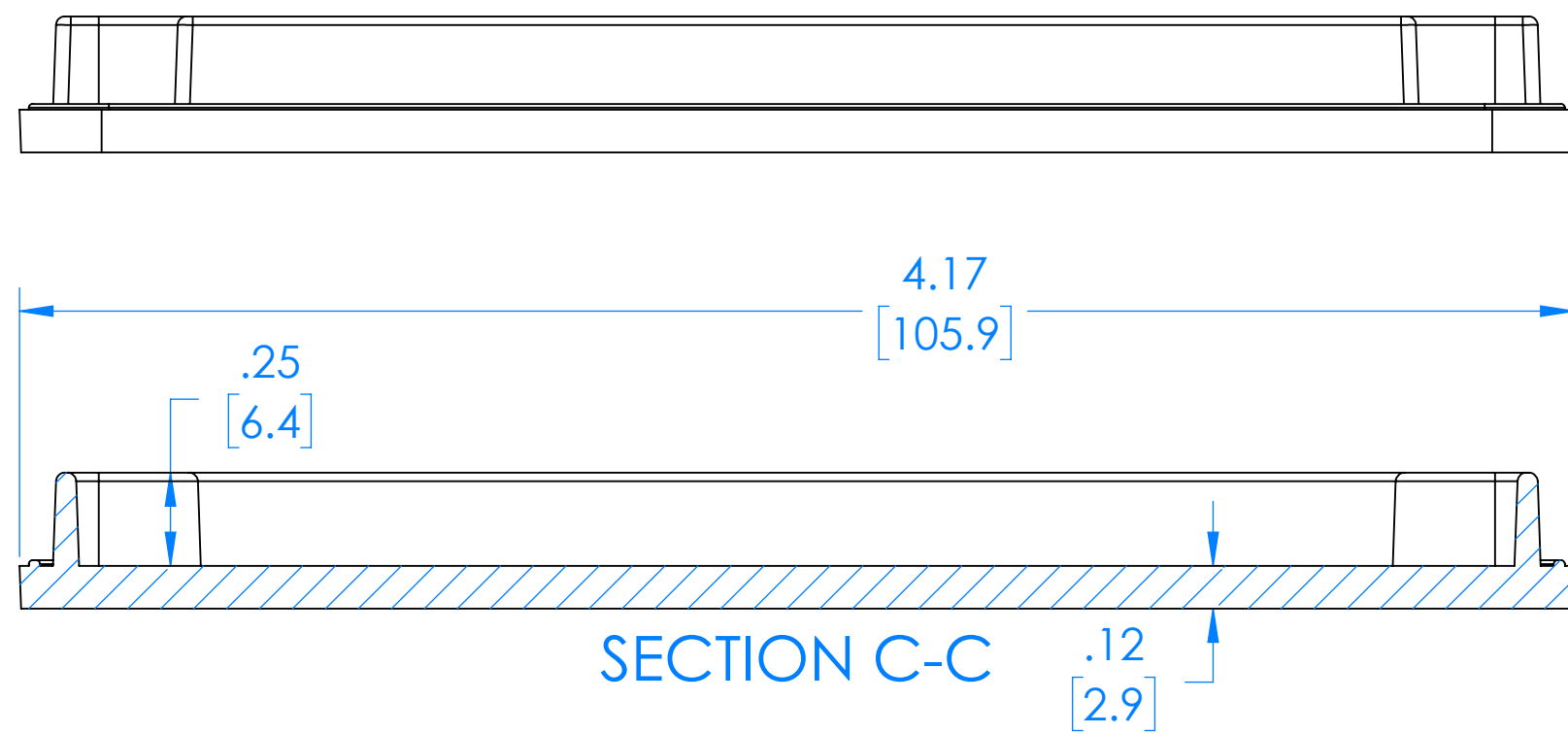
PN	Description
5006	P26 Housing
5009	P24C Cover Handle
5003	P24 Plate
5004	P24 Holder
5010	Cover
6106	Threaded Inserts, 4-40 (brass)
6109	Threaded Inserts, M4, SL-B-M4-5.8
6041	Truss Hd, Hi-Lo Screw, #4 x 3/8"
6044	4-40 X 3/8" PH Flat Screw
6037	Screw M4 X 10mm
6038	SS Phil Flat Hd Screw, M4 x 10mm
80	PG-16 Pigtail
8010-A	P24 Housing Gasket
8010-B	P24 Handle Gasket
8010-C	Cover Gasket

Notes:
 1. Unit is shipped with Handle/Housing gasket installed.
 Plate to Housing gasket and switch cover gasket are user installed.
 2. Dim's in Inch/[mm].
 3. Standard Material is UL94 HB Polyester (Yellow or Black).
 4. Watertight enclosure meets or exceeds Nema 4x / IP66.

SERPAC Plate & Circuit Board for P24 and P26

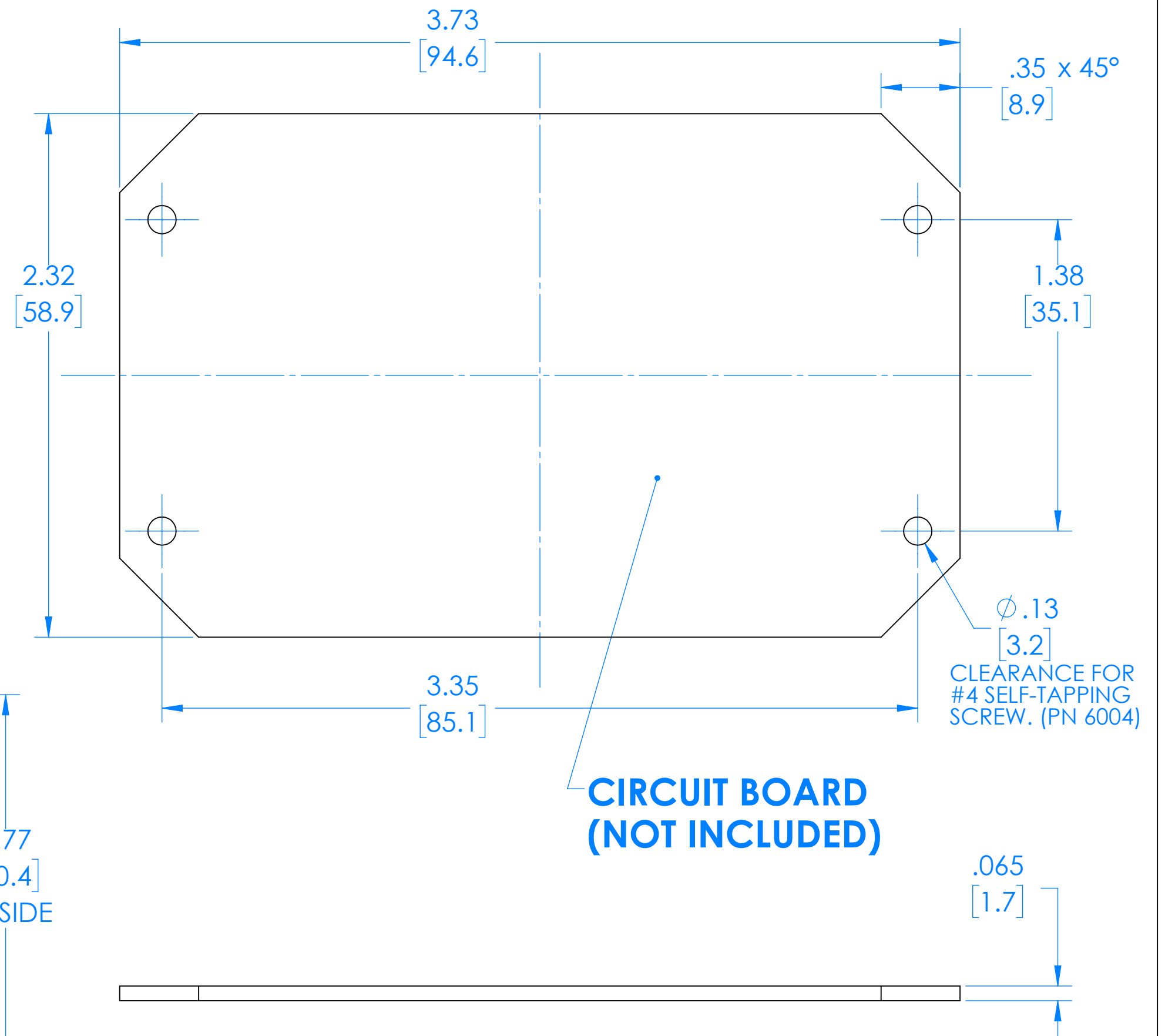
Electronic Enclosures

PN 5003 P24 PLATE (INCLUDED)



PN 5003 PLATE (INCLUDED)

P24-P26 CIRCUIT BOARD (NOT INCLUDED)



CIRCUIT BOARD (NOT INCLUDED)

THERE IS A 0.030" ±.005" CLEARANCE FROM THE PERIMETER OF THE CIRCUIT BOARD TO THE INTERIOR OF THE ENCLOSURE.