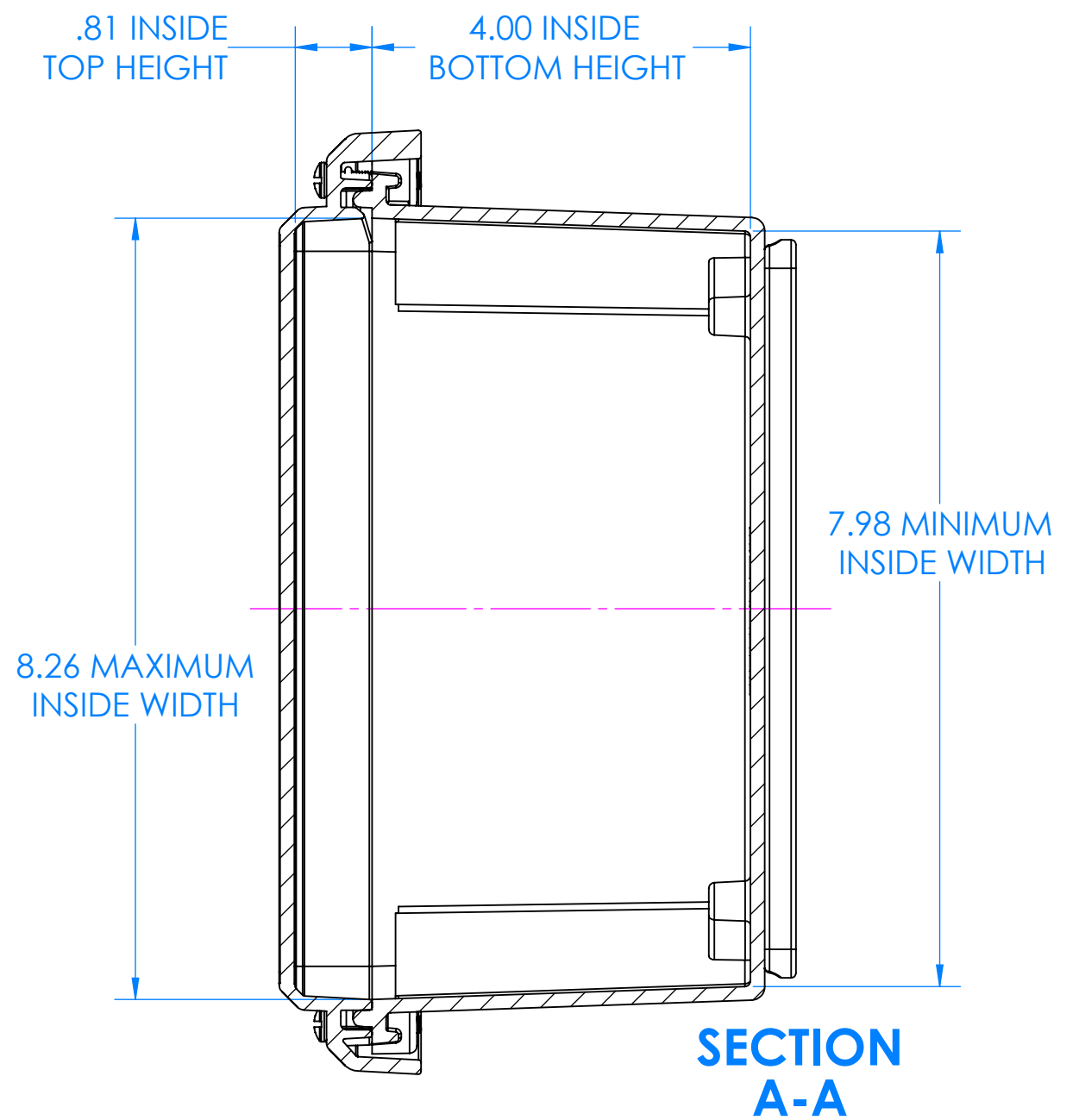
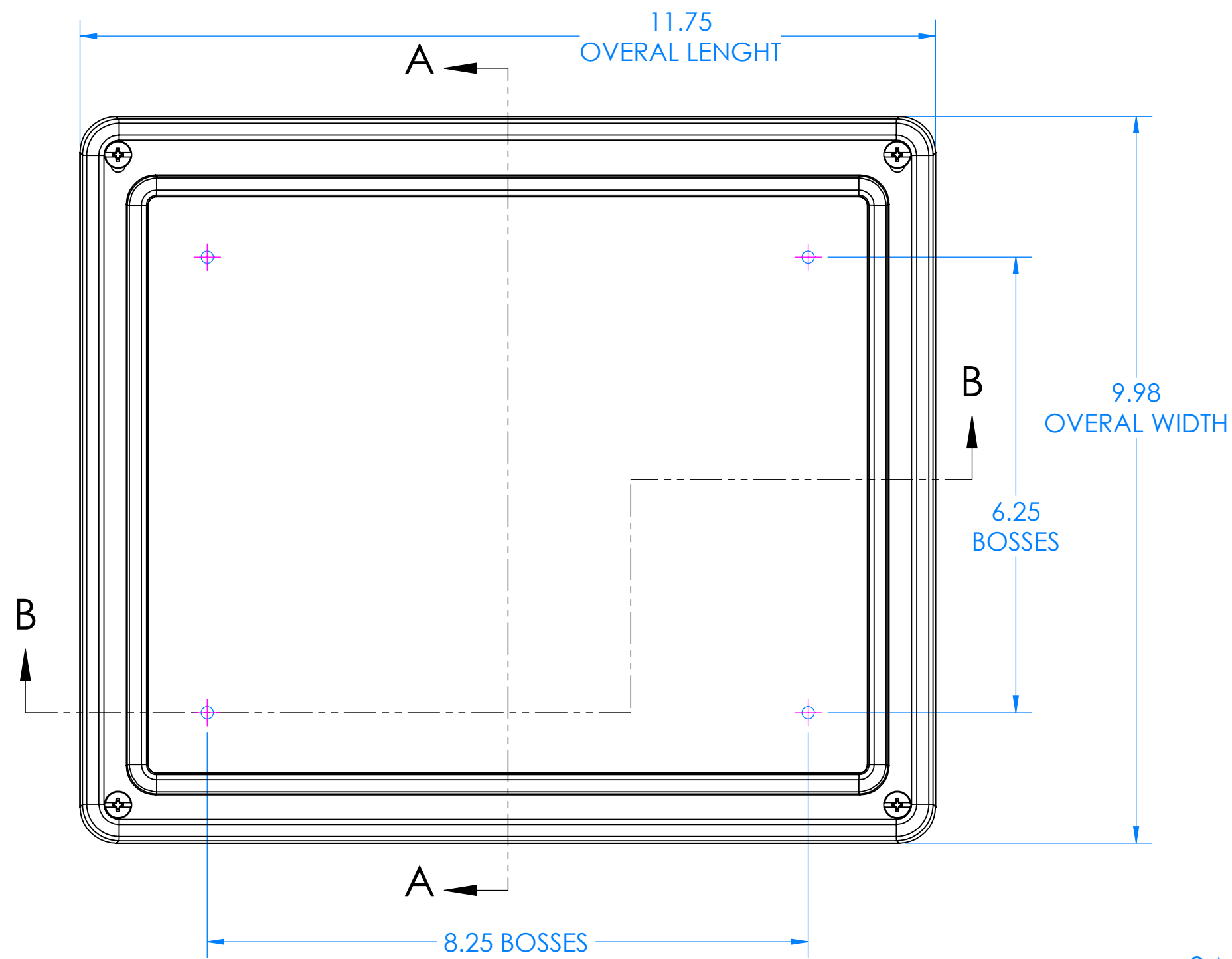


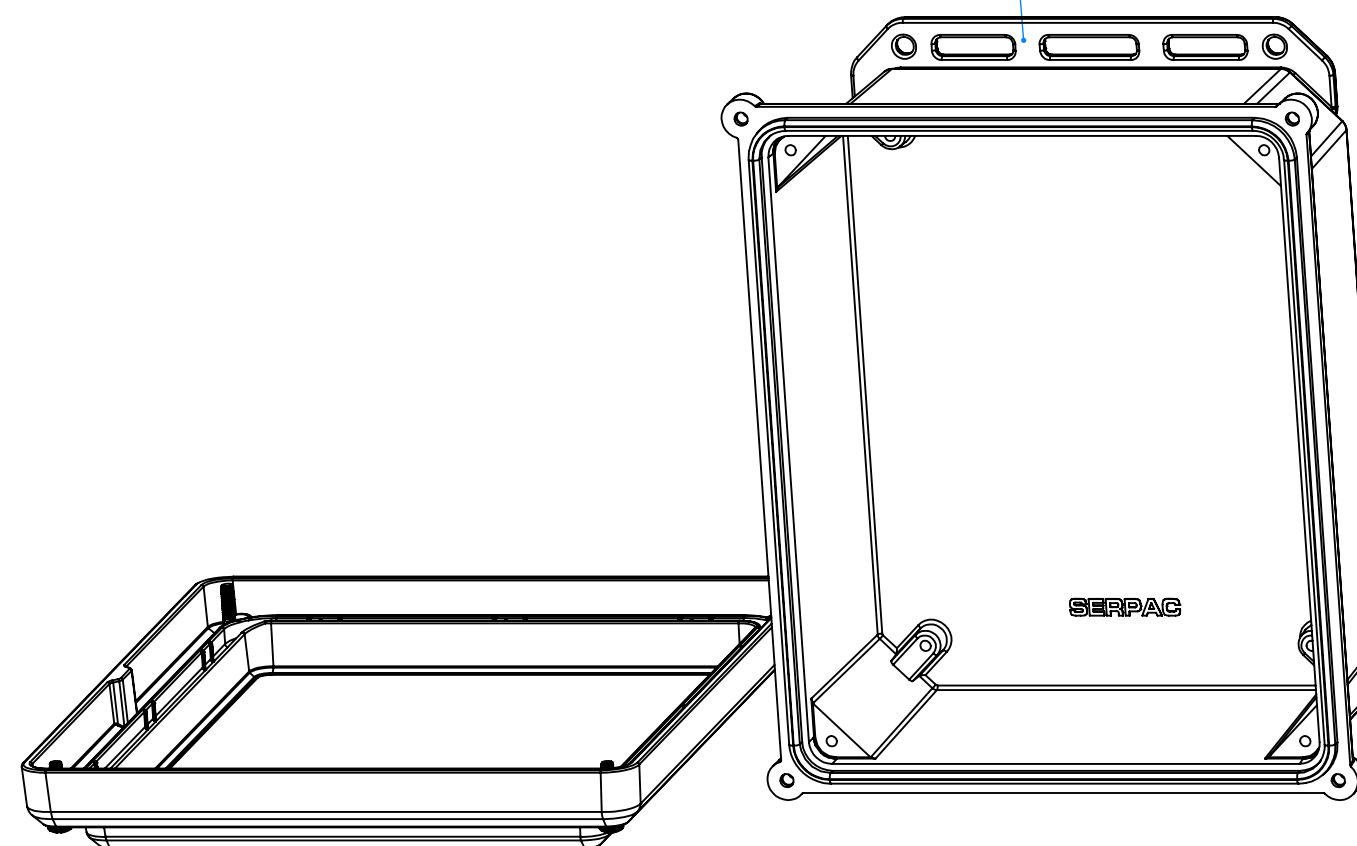
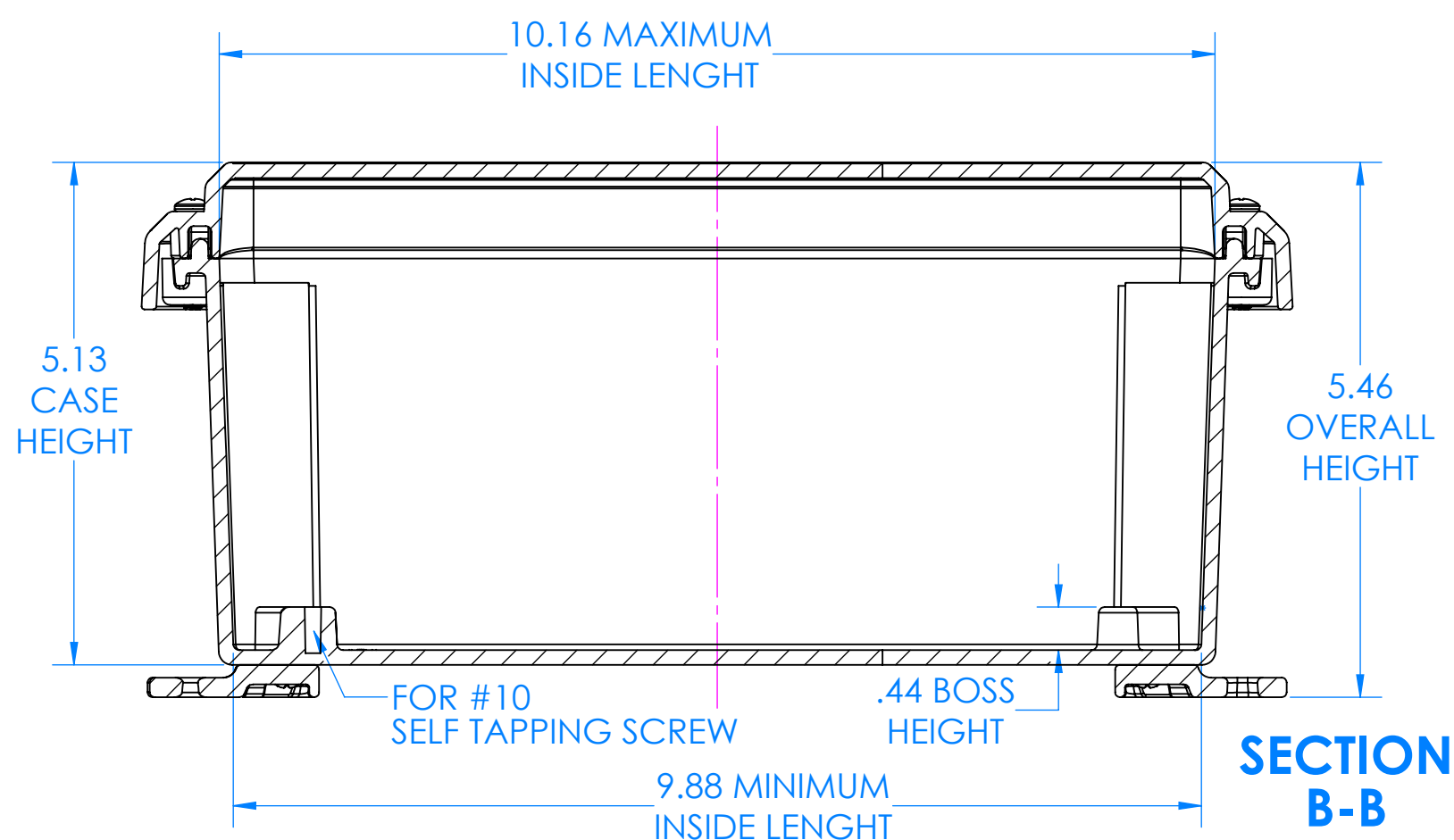
SERPAC I342S

Electronic Enclosures



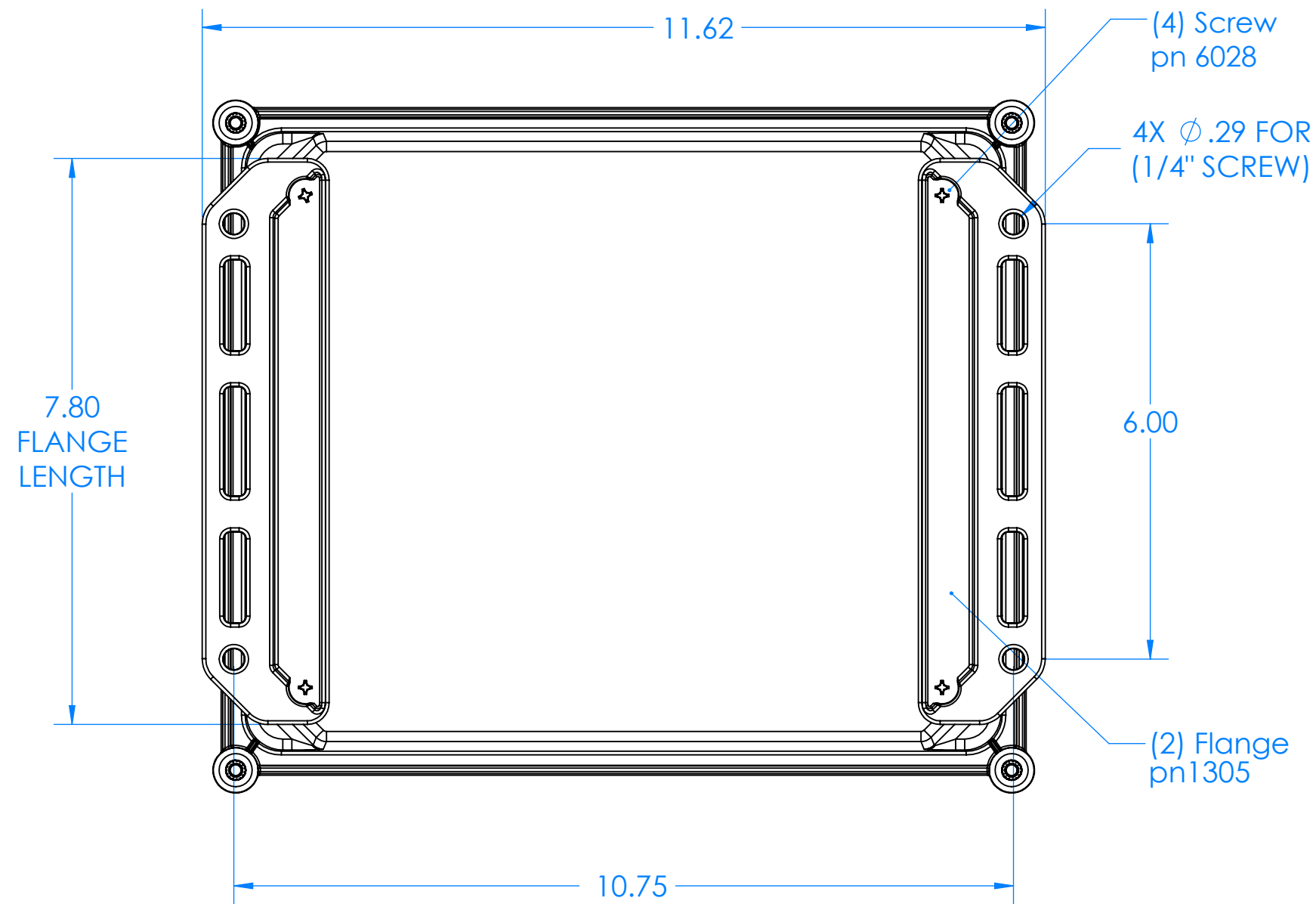
2 Mounting Brackets included, see sheet 2 for dimensions and for optional mounting Corner Feet and Brackets.

Aluminum and Plastic Panel Kits are available as options, see sheets 3-6. The aluminum panel options are:
 Bottom Panel Kit p/n 7200B
 Top Panel Kit p/n 7200T
 Hinged Top Panel Kit p/n 7200TH
 The plastic panel option is:
 Hinged Panel Kit p/n 7200HP



- UL listed to UL 508A 4/4X standard (UL file E519183).
- Material: UV stabilized Polycarbonate Flammability V0, F1 rated material.
- Watertight enclosure meets or exceed Nema 4 and or IP67.

| PARTS INCLUDED | | |
|----------------|------|-----------------------|
| P/N | Qty. | Description |
| I352 ST | 1 | I352 Screw Top |
| I340 SB | 1 | I340 Screw Bottom |
| 8350 | 1 | 350 Perimeter O-ring |
| 6031 | 4 | 10-32 X 1" Screw |
| 6104 | 4 | 10-32 Threaded insert |
| 8001 | 4 | SS #10 X 5/8" Pan H/L |
| 1305 | 2 | Mounting Bracket |
| 6028 | 4 | SS #10 X 5/8" Pan H/L |



STANDARD INCLUDED 1305 FLANGE KIT

| Part included in Kit number 1305 | | |
|----------------------------------|------|-----------------------------------|
| P/N | Qty. | Description |
| 1305 | 2 | Flange |
| 6028 | 4 | SS #10 X 5/8" Pan Combo H/L Screw |

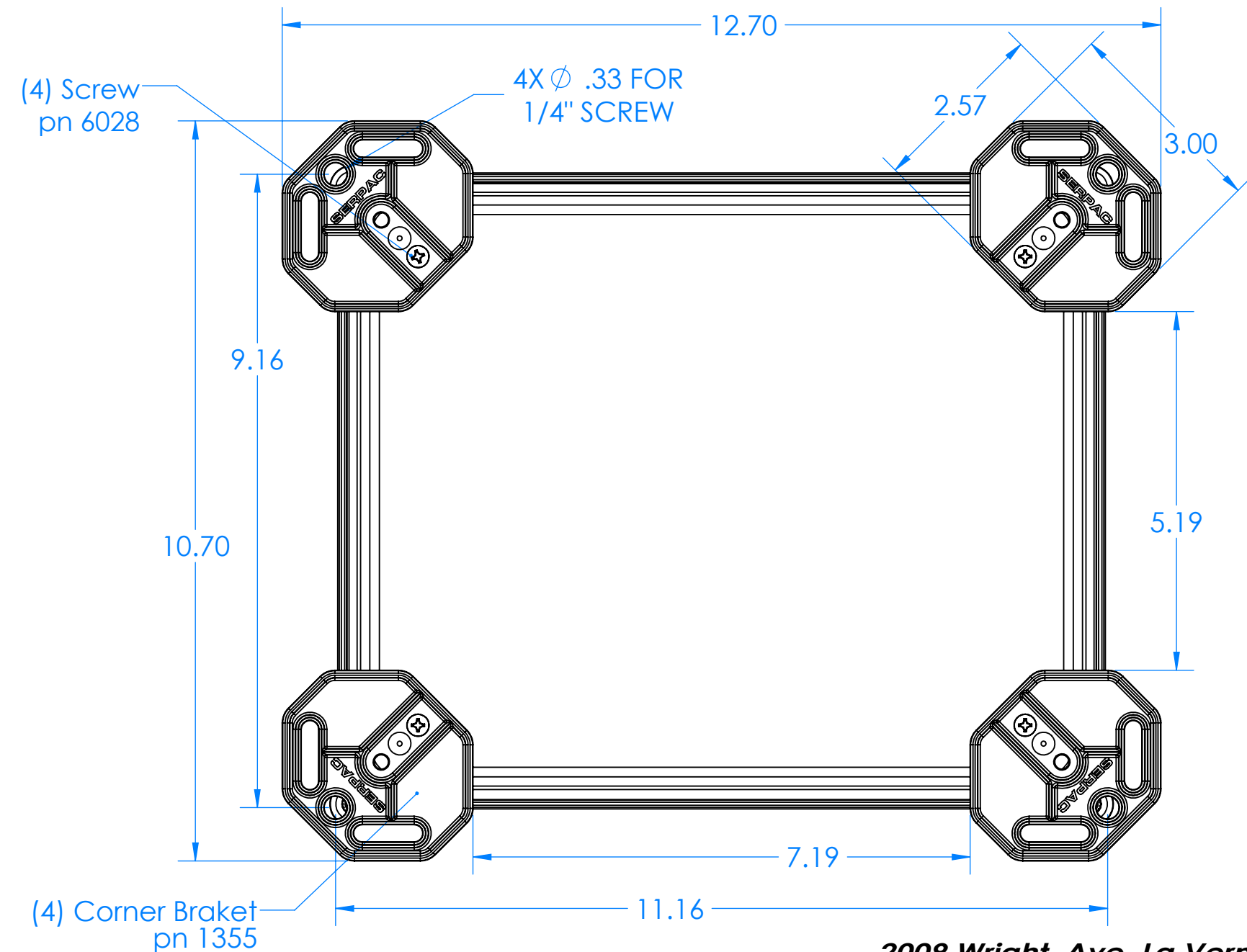
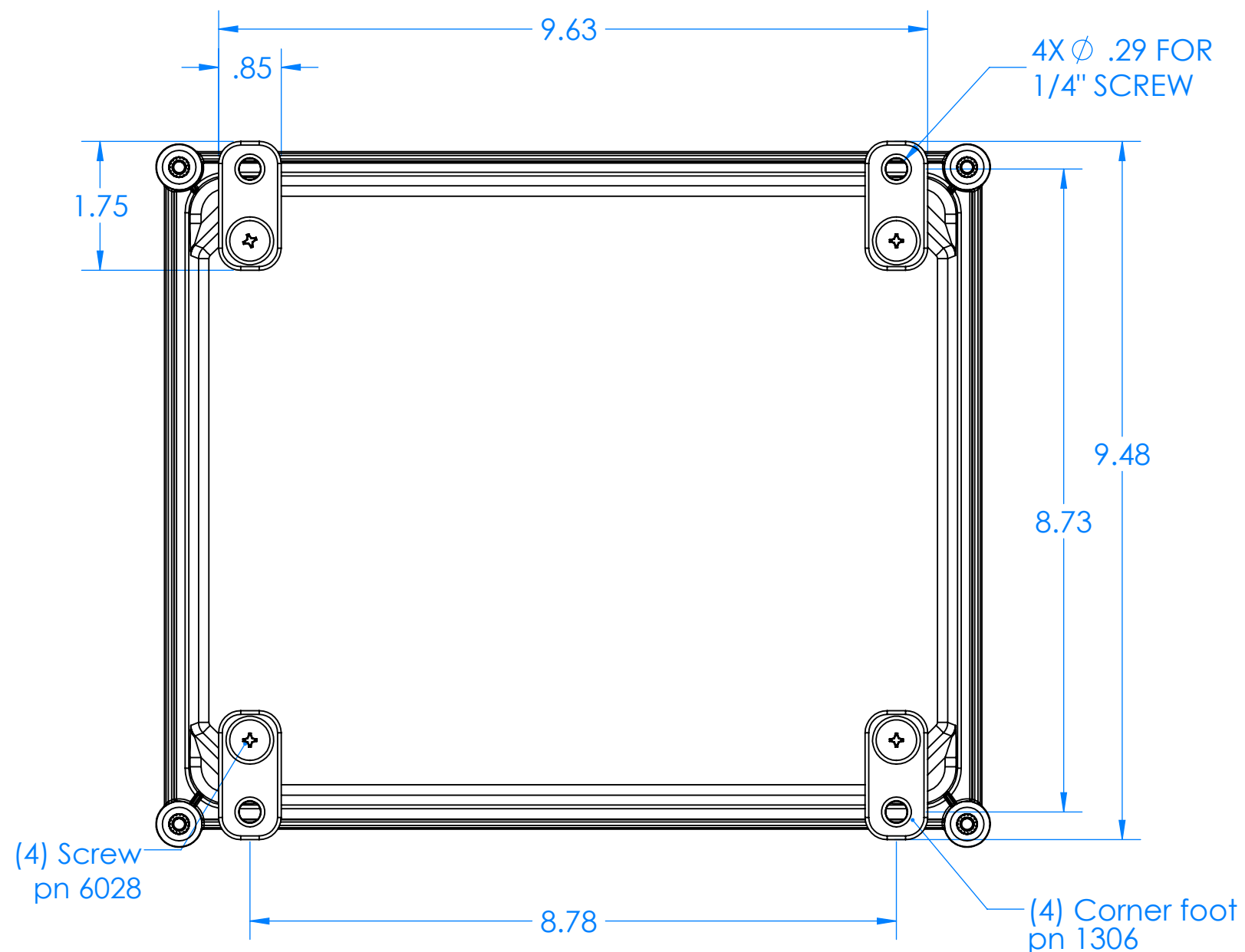
TOP & LATCHES REMOVED FOR CLARITY FROM ALL VIEWS

OPTIONAL 1306 CORNER FEET KIT

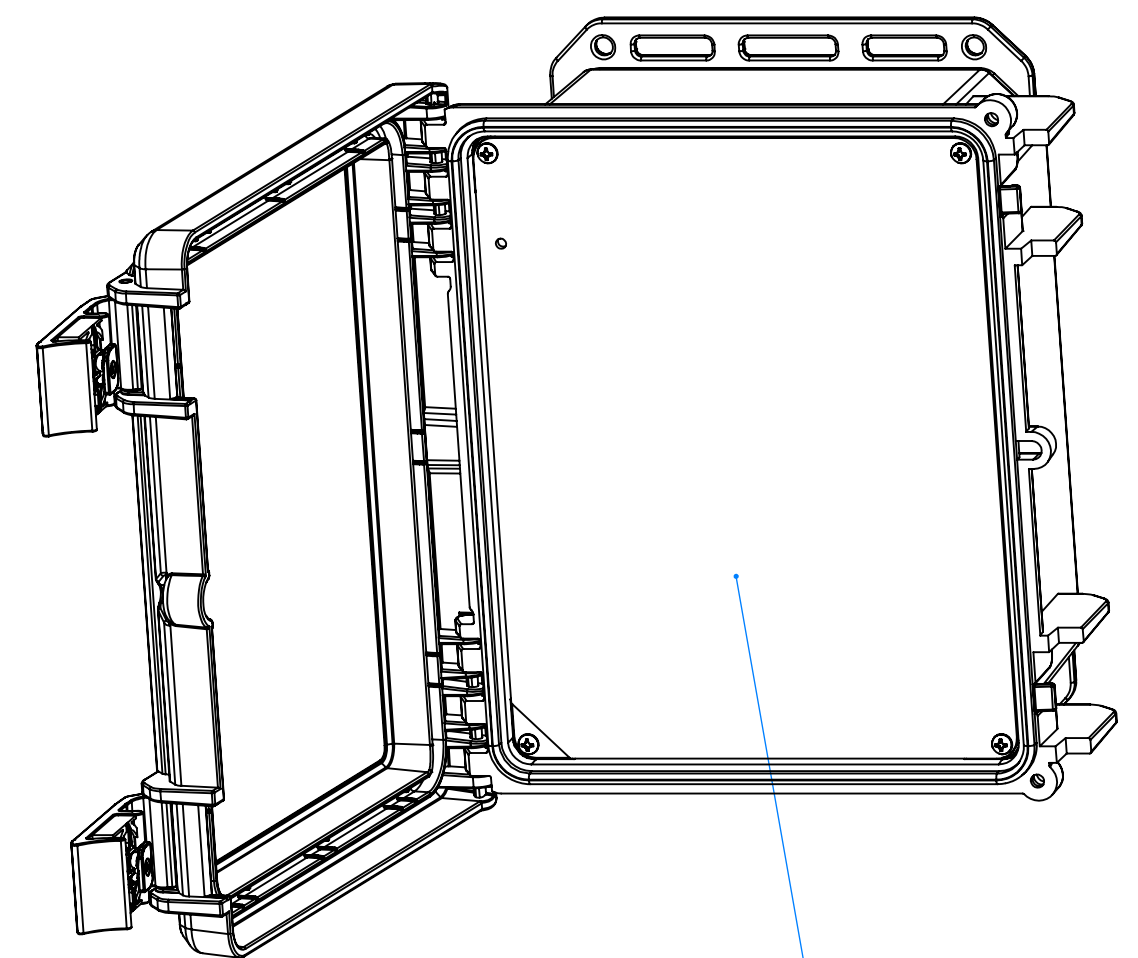
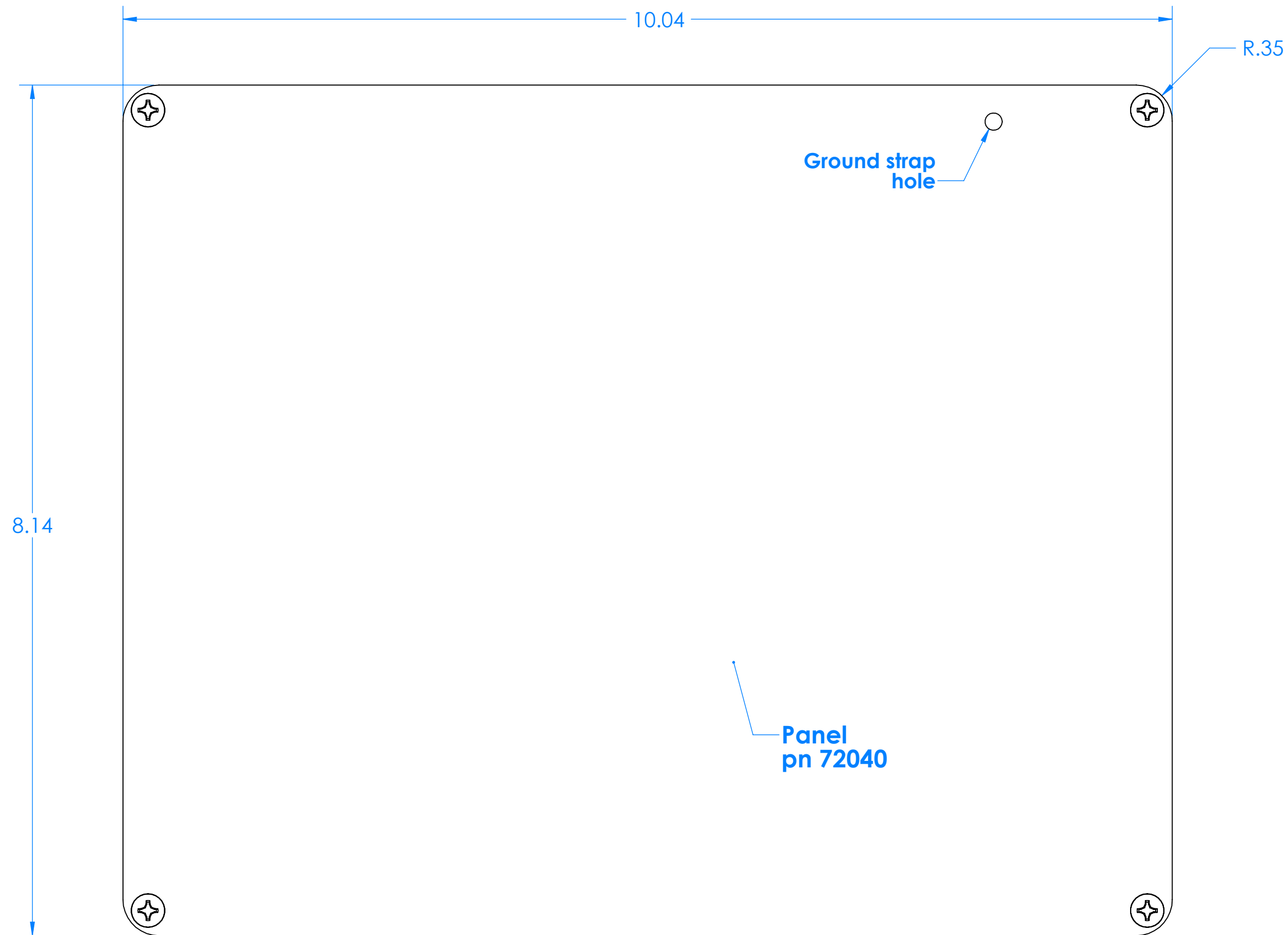
| Part included in Kit number 1306 | | |
|----------------------------------|------|-----------------------------------|
| P/N | Qty. | Description |
| 1306 | 4 | Mounting Corner Foot |
| 6028 | 4 | SS #10 X 5/8" Pan Combo H/L Screw |

OPTIONAL 1355 CORNER BRACKETS KIT

| Part included in Kit number 1355 | | |
|----------------------------------|------|-----------------------------------|
| P/N | Qty. | Description |
| 1355 | 4 | Mounting Corner Bracket |
| 6028 | 4 | SS #10 X 5/8" Pan Combo H/L Screw |



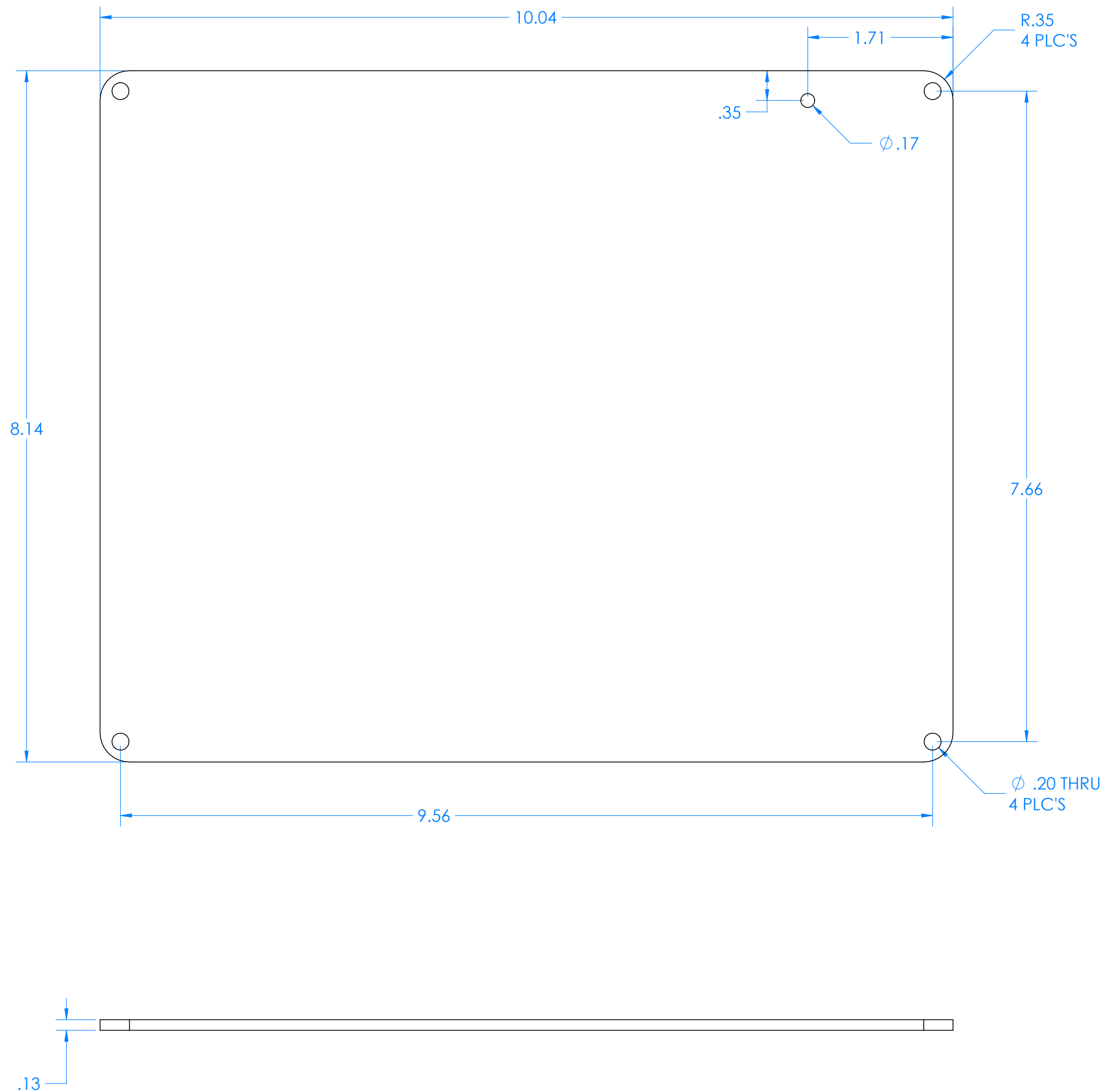
7200T Aluminum Top Panel Kit for 352HL, 342HL, 352HS, 342HS, 352S and 342S



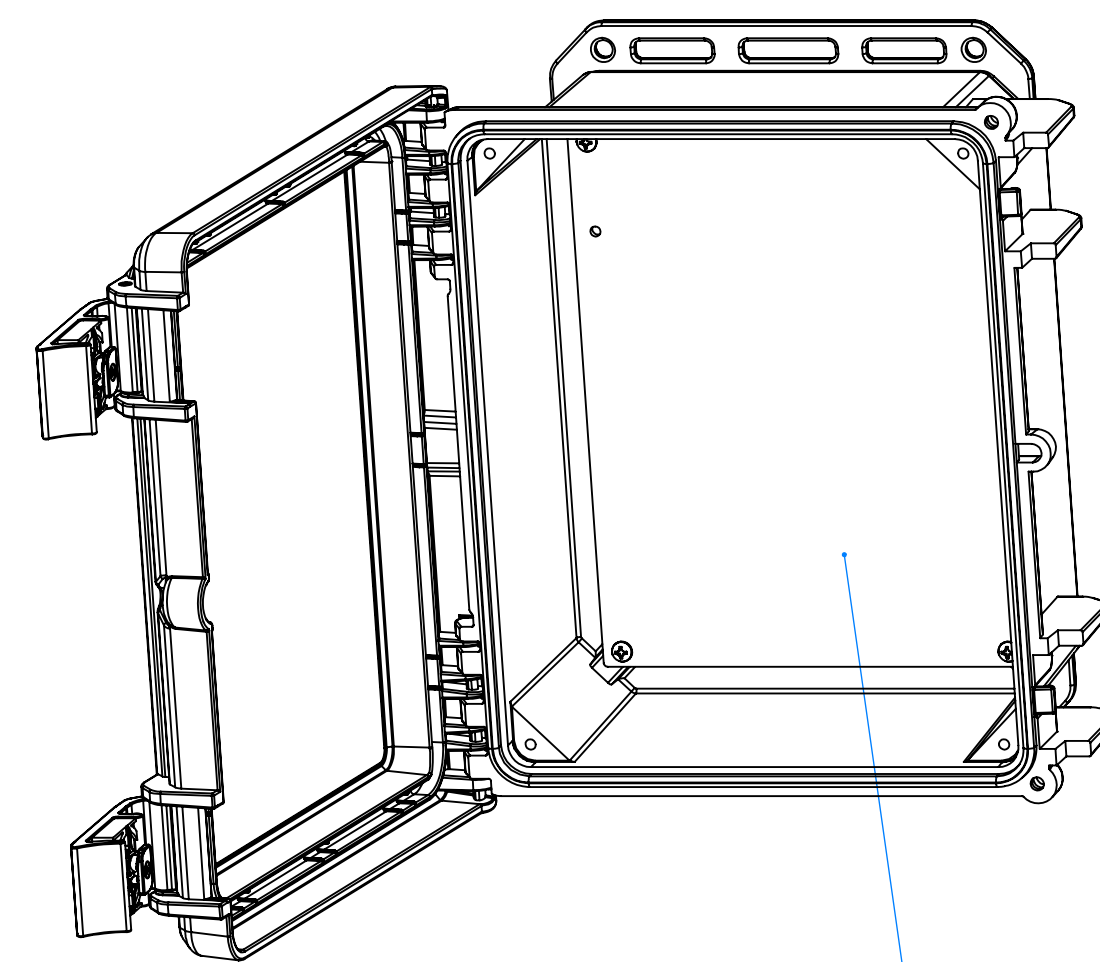
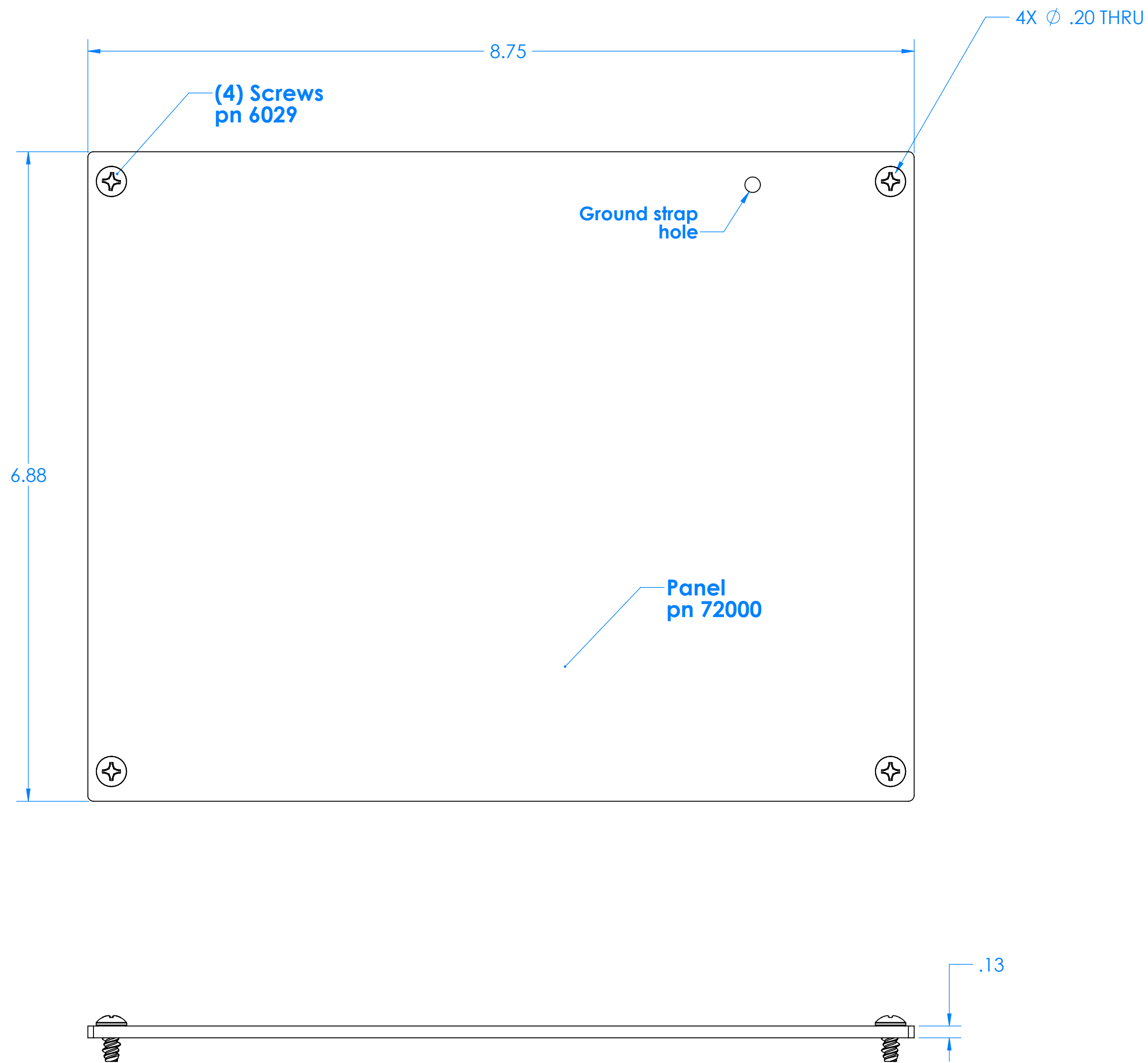
| Part included in Kit number 7200T | | |
|-----------------------------------|------|----------------------------|
| P/N | Qty. | Description |
| 72040 | 1 | Aluminum Top Panel |
| 6029 | 4 | SS #10 X 3/8" Pan HL Screw |

72040 Aluminum Top Panel

352HL, 342HL, 352HS, 342HS, 352S and 342S



7200B Aluminum Bottom Panel Kit for 352HL, 342HL, 352HS, 342HS, 352S and 342S

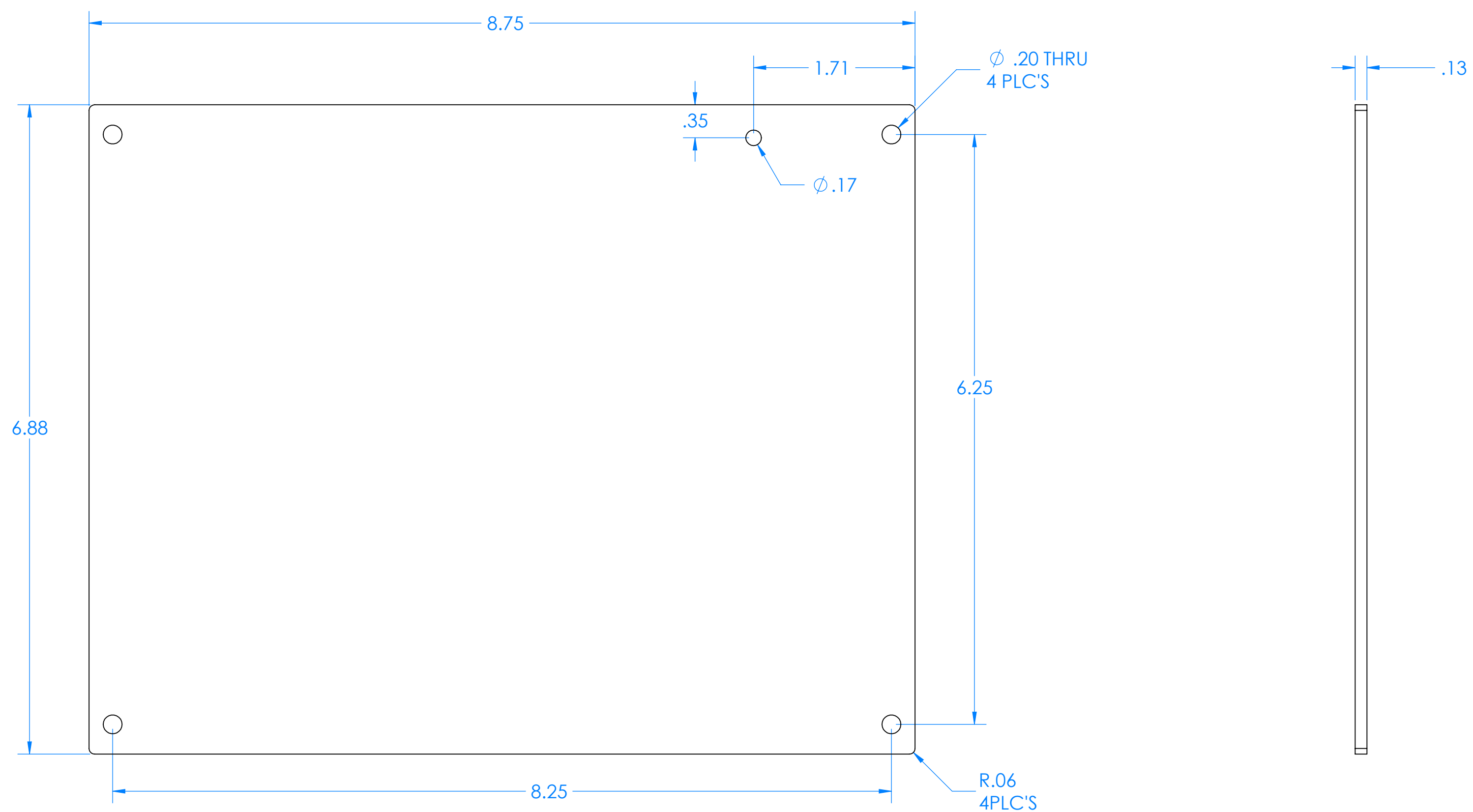


Optional kit
pn 7200B

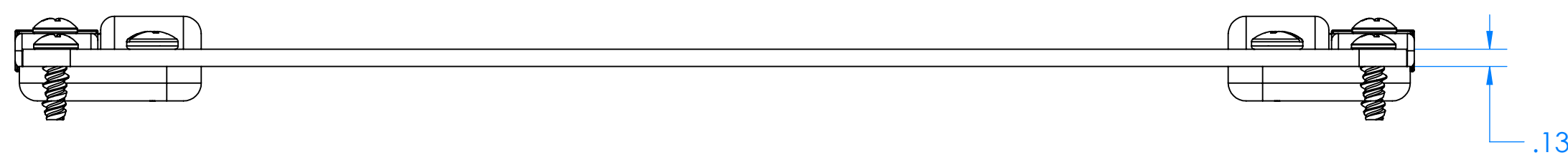
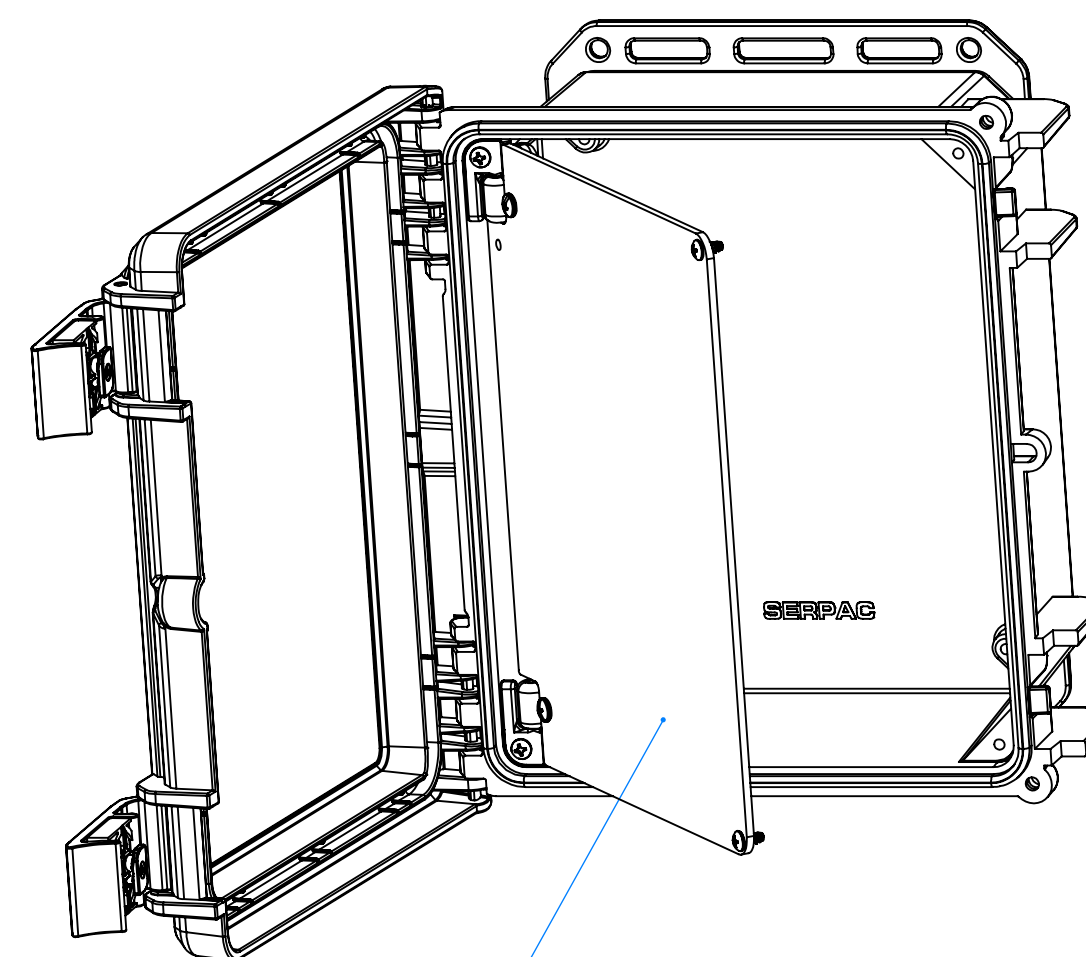
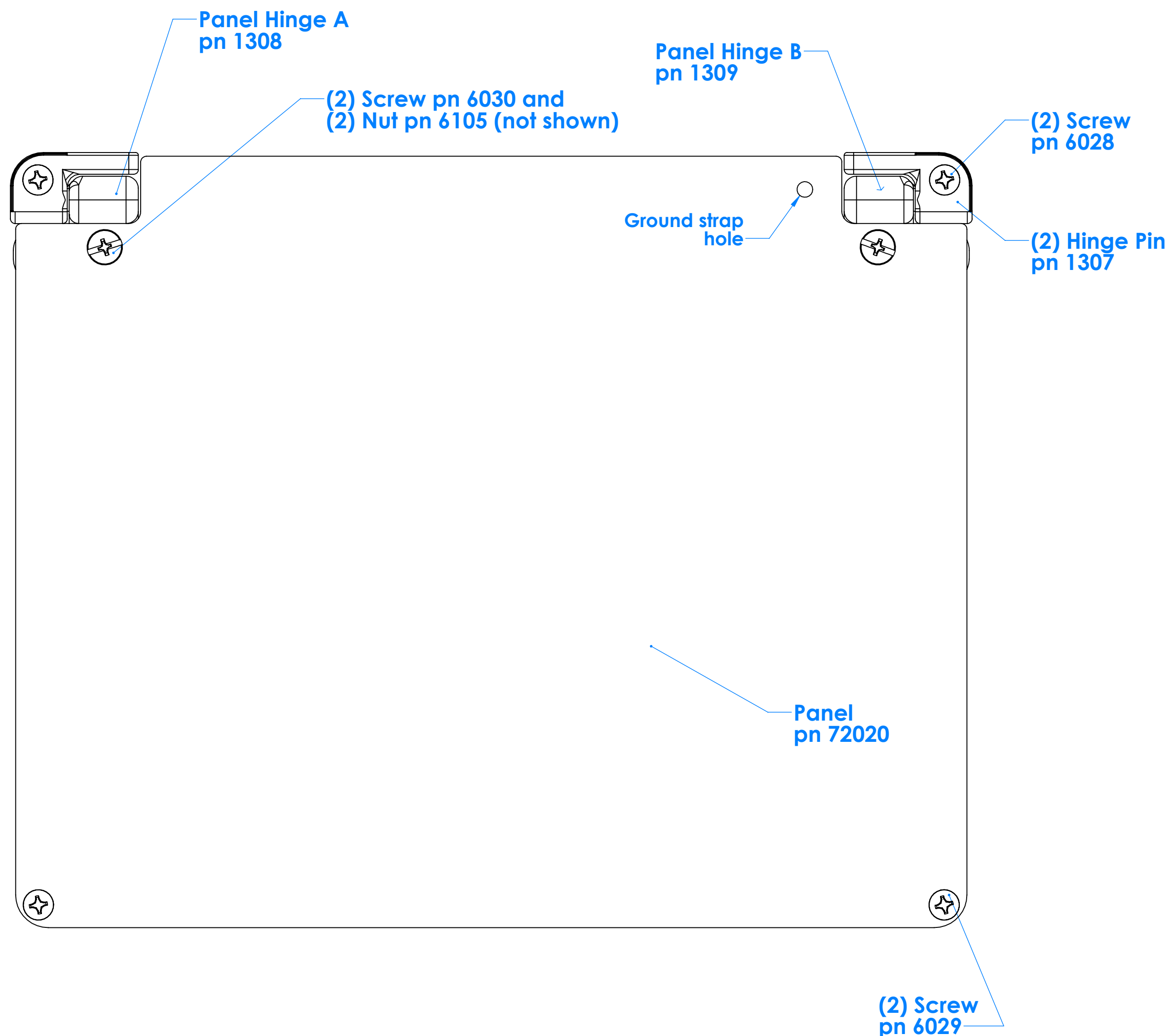
| Part included in Kit number 7200B | | |
|-----------------------------------|------|----------------------------|
| P/N | Qty. | Description |
| 72000 | 1 | Aluminum Bottom Panel |
| 6029 | 4 | SS #10 X 3/8" Pan HL Screw |

72000 Aluminum Bottom Panel

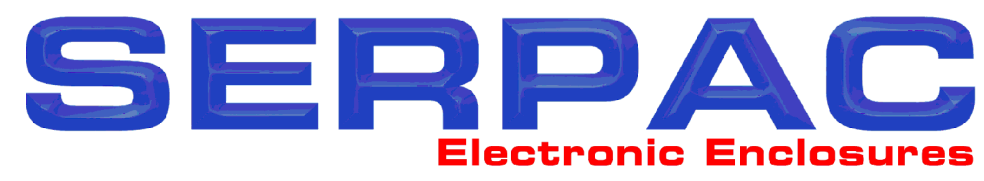
352HL, 342HL, 352HS, 342HS, 352S and 342S



7200TH Aluminum Hinged Top Panel Kit for 352HL, 342HL, 352HS, 342HS, 352S and 342S



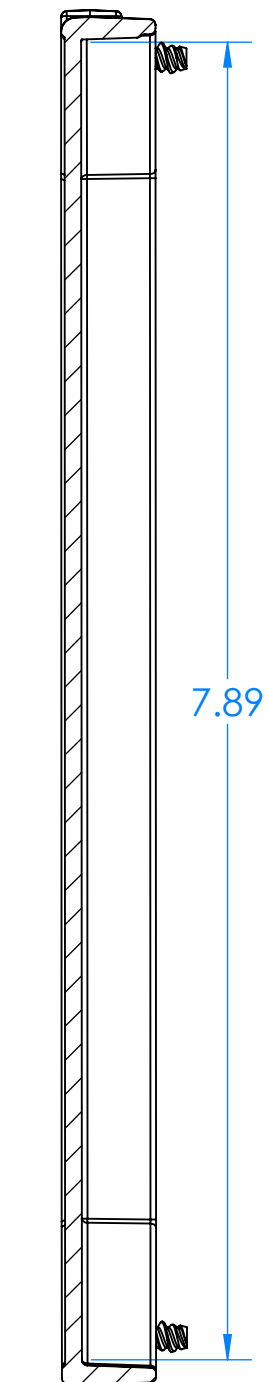
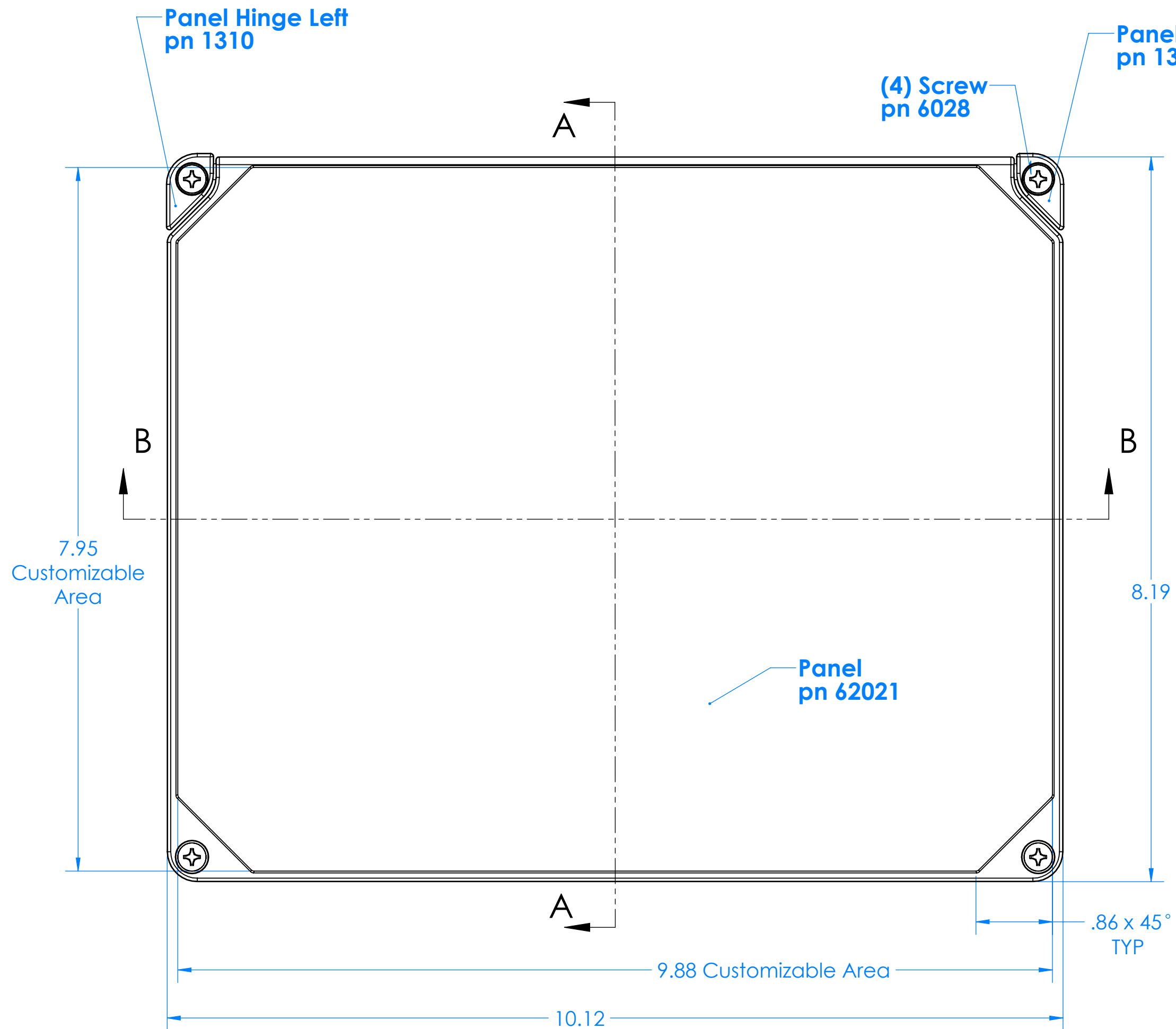
| Part included in Kit number 7200TH | | |
|------------------------------------|------|------------------------------------|
| P/N | Qty. | Description |
| 72020 | 1 | Aluminum Hinged Top Panel |
| 6029 | 2 | SS #10 X 3/8" Pan H/L Screw |
| 6030 | 2 | SS #10-32 X 3/8" PH-PN Combo Screw |
| 6105 | 2 | SS #10-32 Hex Nut Plain |
| 6028 | 2 | SS #10 X 5/8" Pan H/L Screw |
| 1307 | 2 | Hinge Pin |
| 1308 | 1 | Panel Hinge A |
| 1309 | 1 | Panel Hinge B |



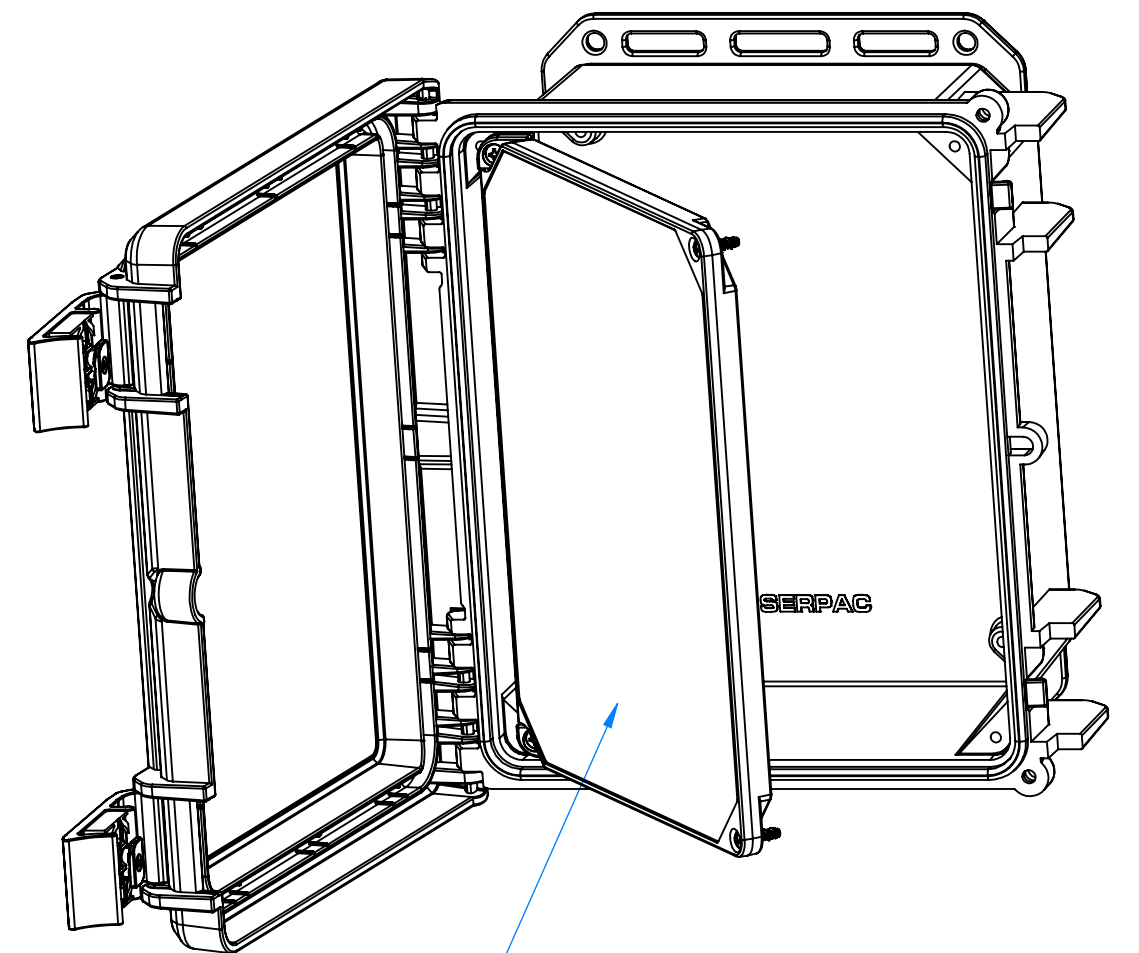
72020 Aluminum Hinged Top Panel

352HL, 342HL, 352HS, 342HS, 352S and 342S

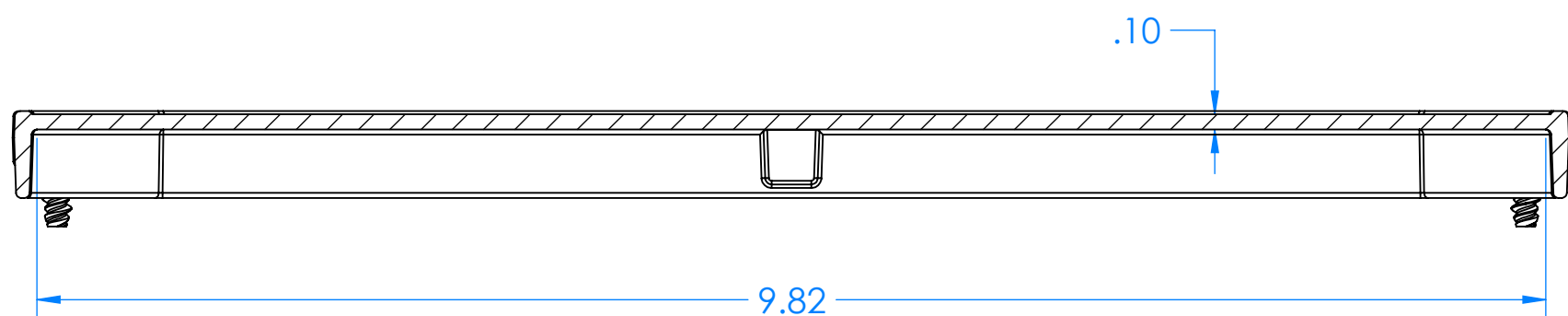
7200HP Plastic Hinged Top Panel Kit for 352HL, 342HL, 352HS, 342HS, 352S and 342S



SECTION A-A



Optional kit pn 7200HP



SECTION B-B

| Parts Included in kit number 7200HP | | |
|-------------------------------------|------|-----------------------------|
| P/N | Qty. | Description |
| 72021 | 1 | Plastic Hinged TopPanel |
| 1310 | 1 | Panel Hinge Left |
| 1311 | 1 | Panel Hinge Right |
| 6028 | 4 | SS #10 X 5/8" Pan H/L Screw |

72021 Plastic Hinged Top Panel

352HL, 342HL, 352HS, 342HS, 352S and 342S

