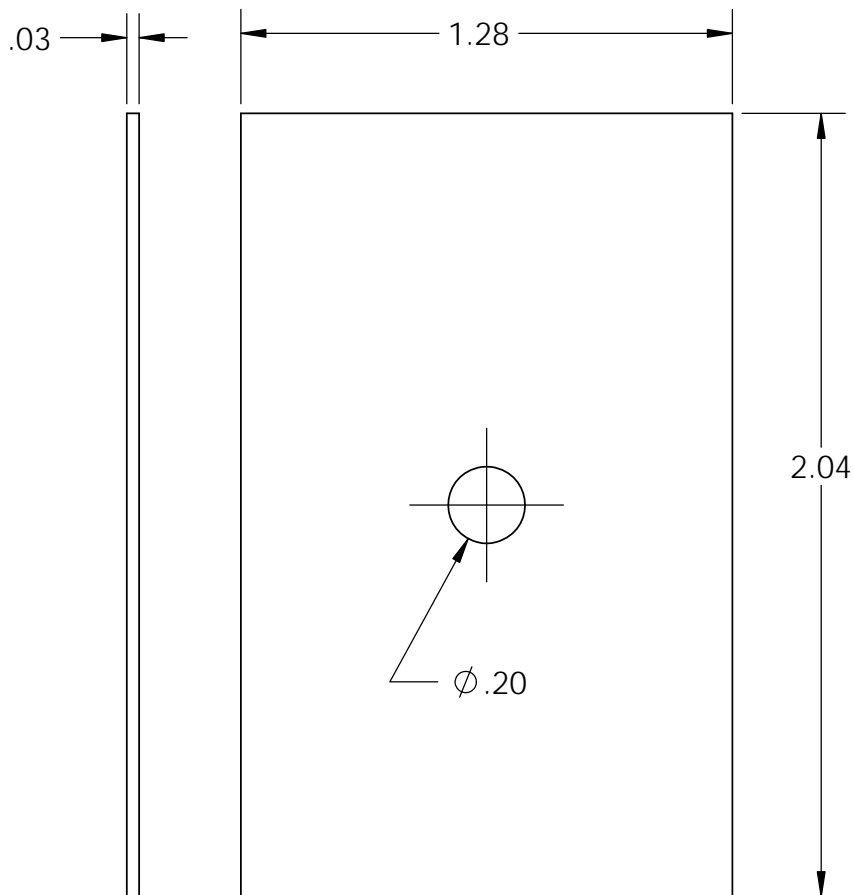
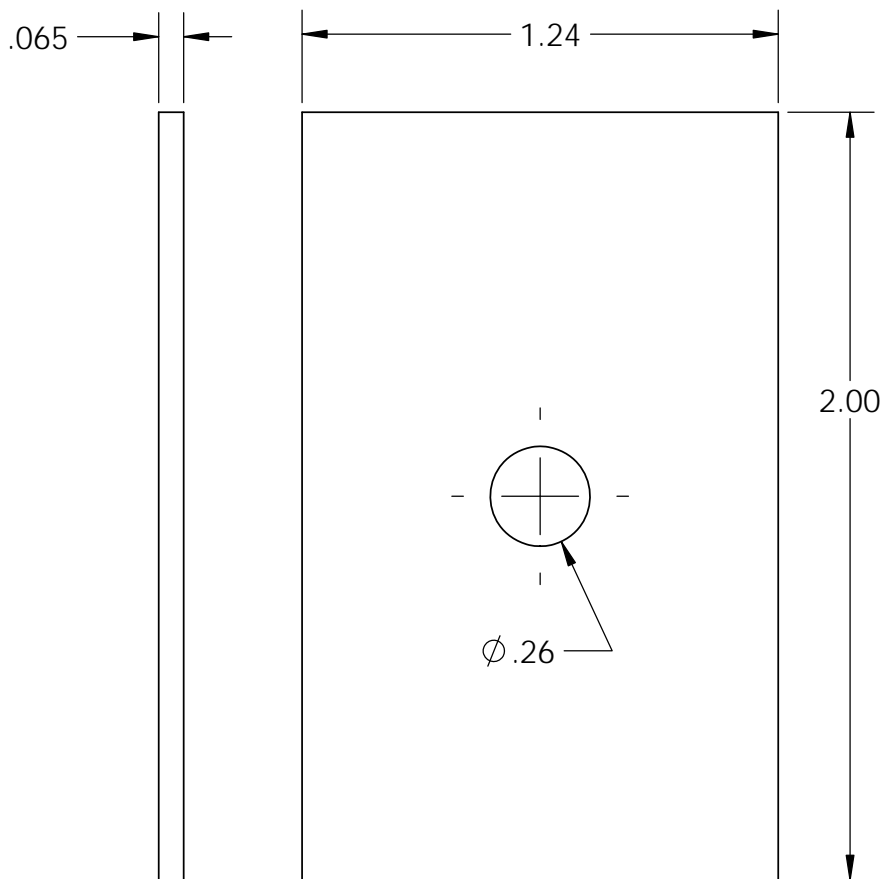


# SERPAC Electronic Enclosures

## CIRCUIT BOARD CH4



**.032 board**



**.065 board**

**NOTES:**  
These are suggested dimensions.  
Plastic parts have a  $\pm 0.010$ " manufacturing tolerance.