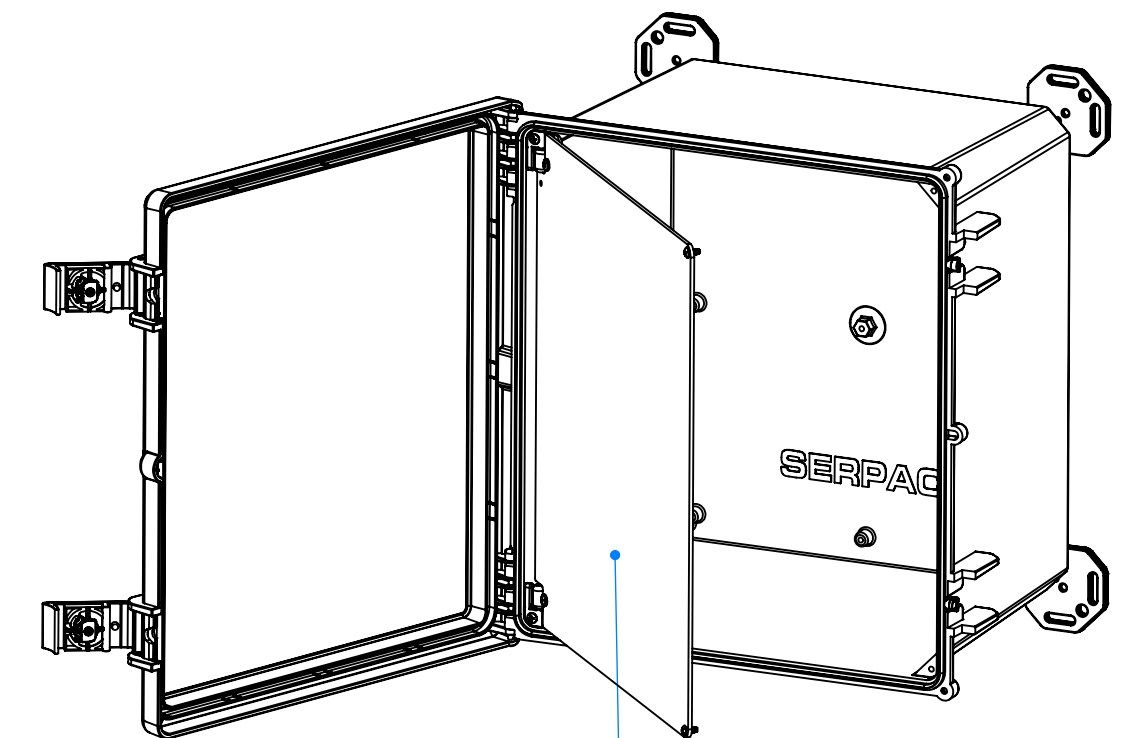
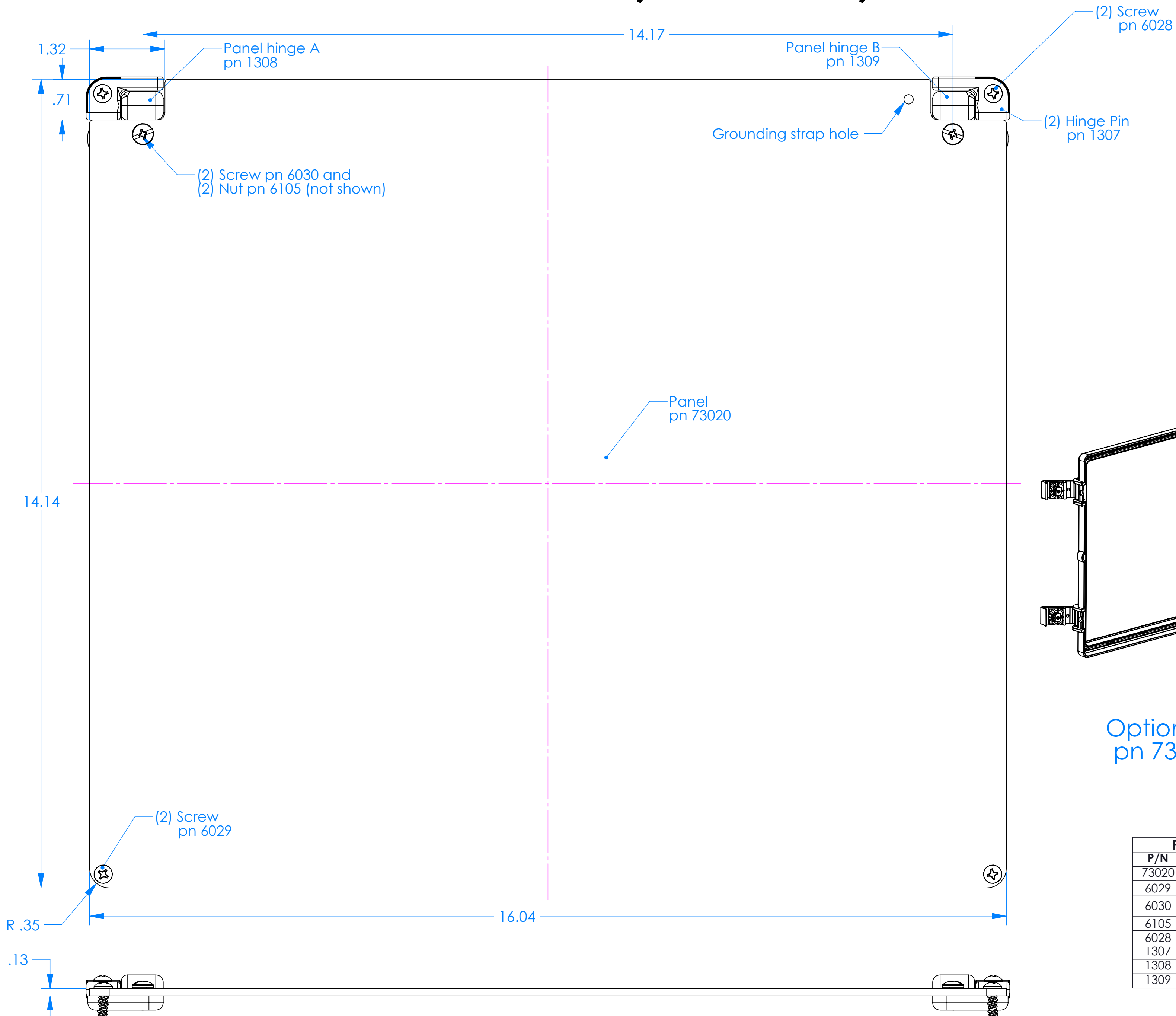


7300TH Aluminum Hinged Top Panel Kit for I602HL, I622HL, I632 and I652



Optional kit
pn 7300TH

Parts Included in kit number 7300TH		
P/N	Qty.	Description
73020	1	Hinged Top Aluminum Panel
6029	2	SS #10 X 3/8" Pan HL Screw
6030	2	SS #10 X 3/8" Pan Combo H/L Screw
6105	2	SS #10-32 X1/8" Nut
6028	2	SS #10 X 5/8" PH HD H/L Screw
1307	2	Hinge Pin for Hinge Panel
1308	1	Hinge A for Hinge Panel
1309	1	Hinge B for Hinge Panel

73020 Aluminum Hinged Panel for I602HL, I622HL, I632 and I652

