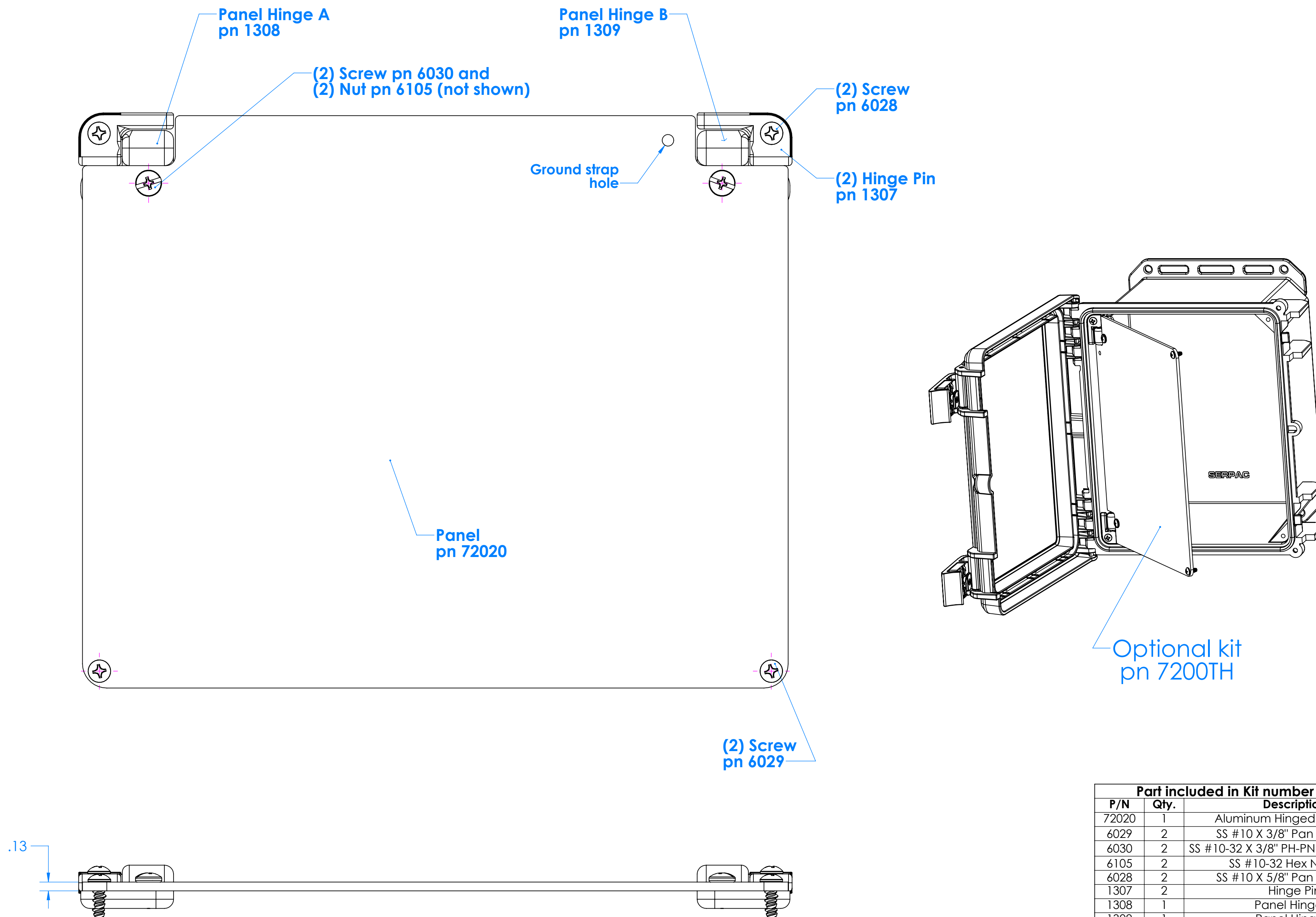


7200TH Aluminum Hinged Top Panel Kit for 352HL, 342HL, 352HS, 342HS, 352S and 342S



Part included in Kit number 7200TH		
P/N	Qty.	Description
72020	1	Aluminum Hinged Top Panel
6029	2	SS #10 X 3/8" Pan H/L Screw
6030	2	SS #10-32 X 3/8" PH-PN Combo Screw
6105	2	SS #10-32 Hex Nut Plain
6028	2	SS #10 X 5/8" Pan H/L Screw
1307	2	Hinge Pin
1308	1	Panel Hinge A
1309	1	Panel Hinge B

72020 Aluminum Hinged Panel

352HL, 342HL, 352HS, 342HS, 352S and 342S

