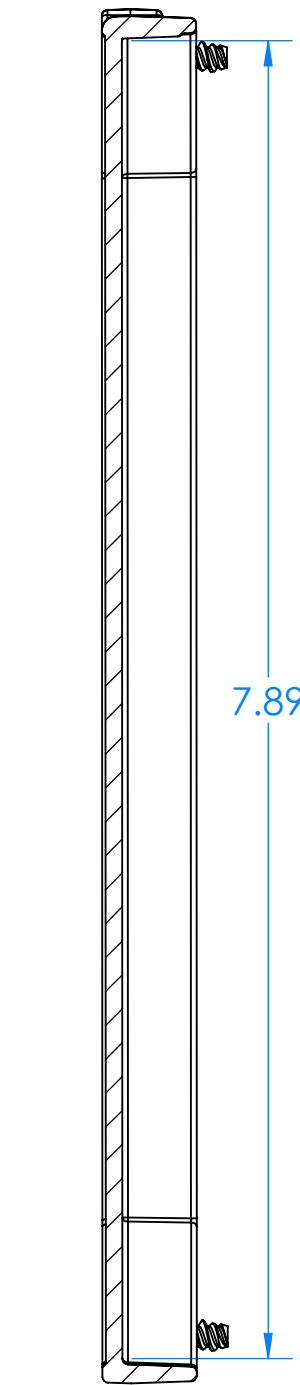
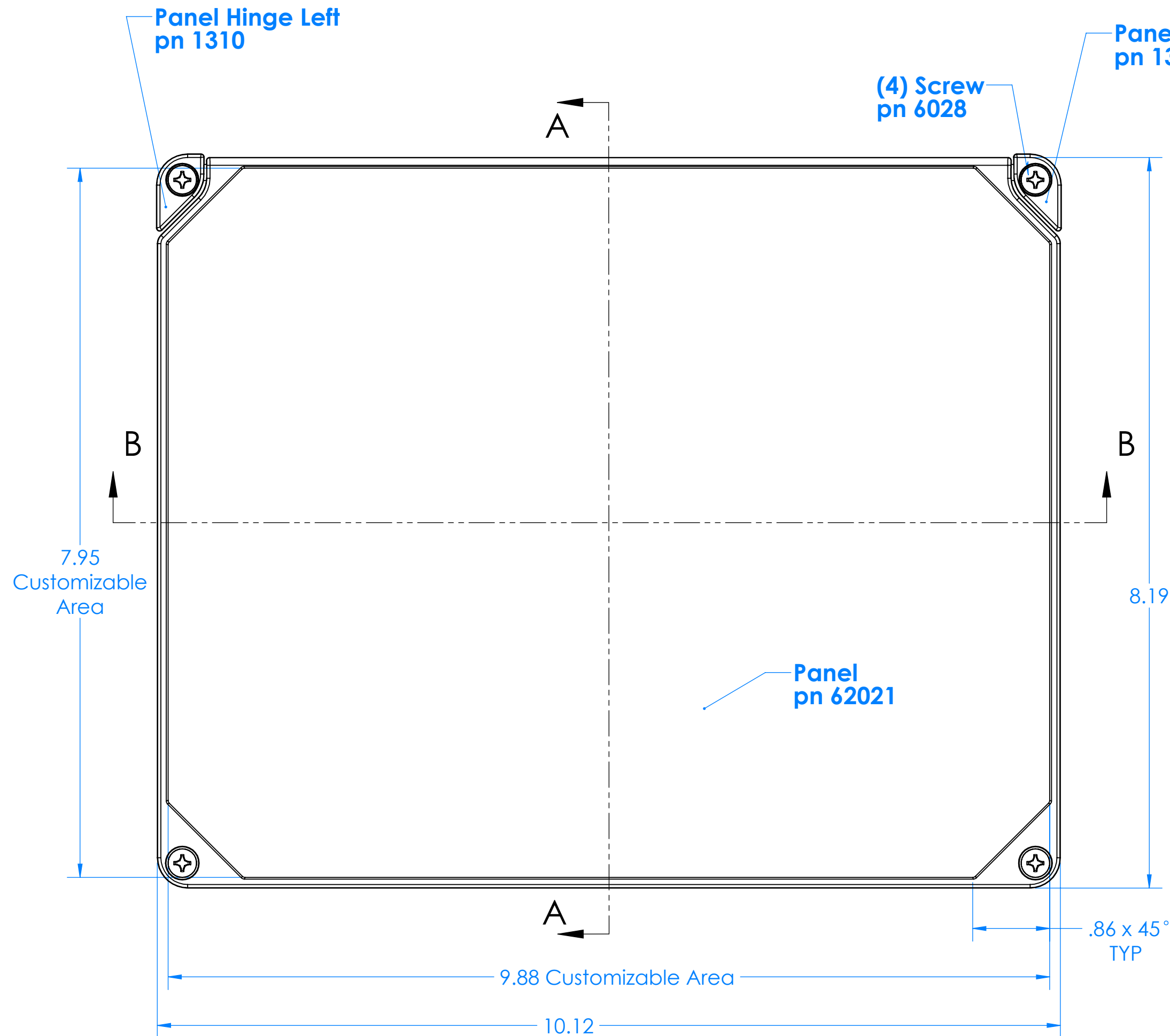
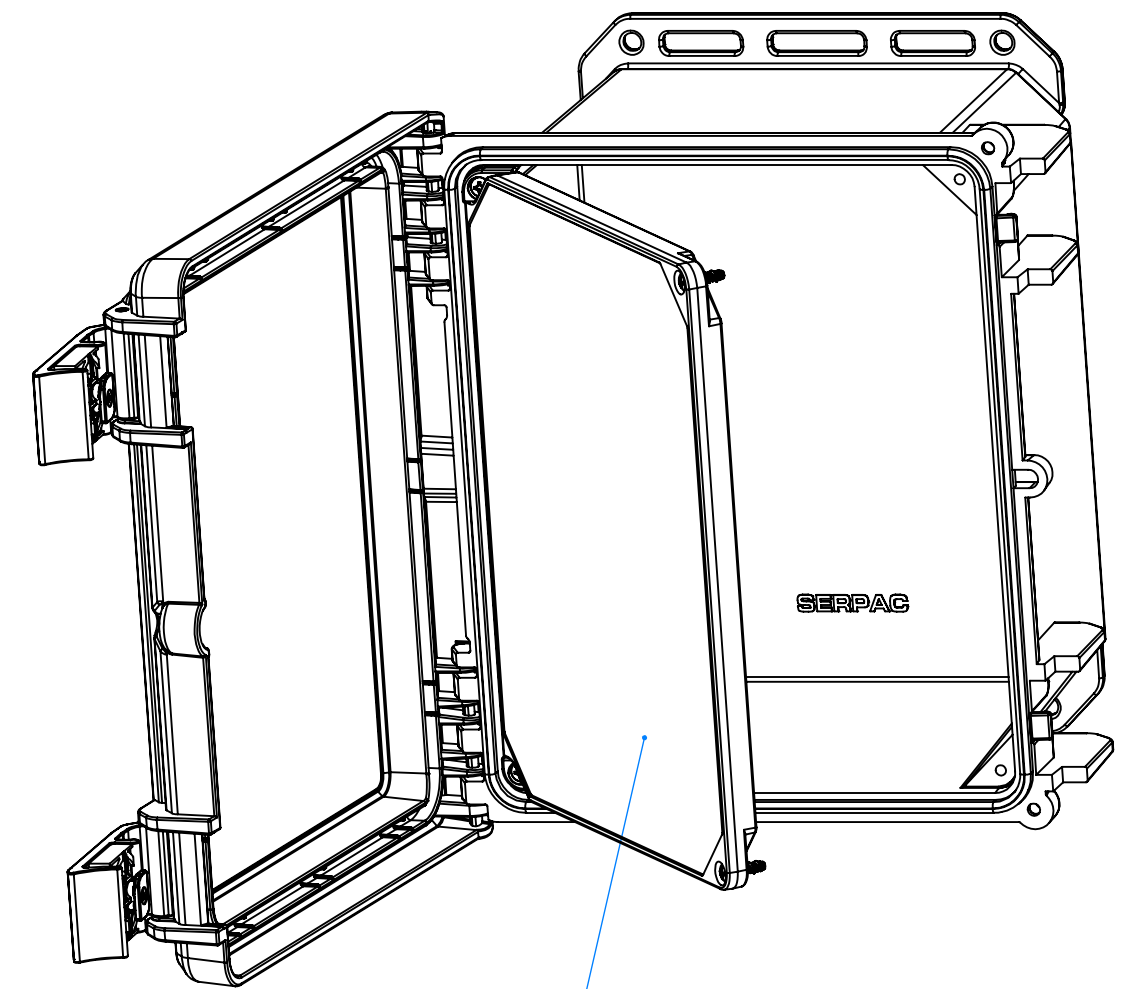


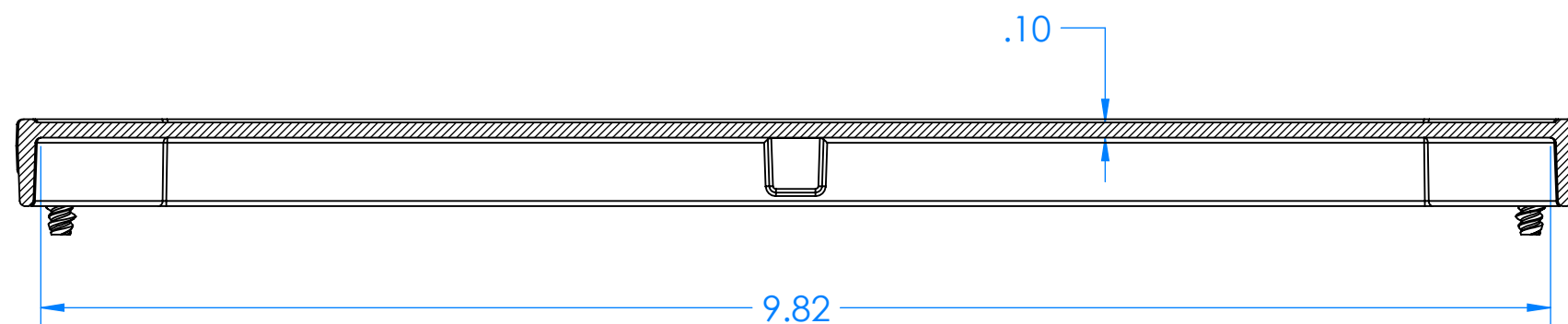
7200HP Plastic Hinged Top Panel Kit for 352HL, 342HL, 352HS, 342HS, 352S and 342S



SECTION A-A



Optional kit
pn 7200HP



SECTION B-B

Parts Included in kit number 7200HP		
P/N	Qty.	Description
72021	1	Plastic Hinged Top Panel
1310	1	Panel Hinge Left
1311	1	Panel Hinge Right
6028	4	SS #10 X 5/8" Pan H/L Screw

72021 Plastic Hinged Top Panel

352HL, 342HL, 352HS, 342HS, 352S and 342S

