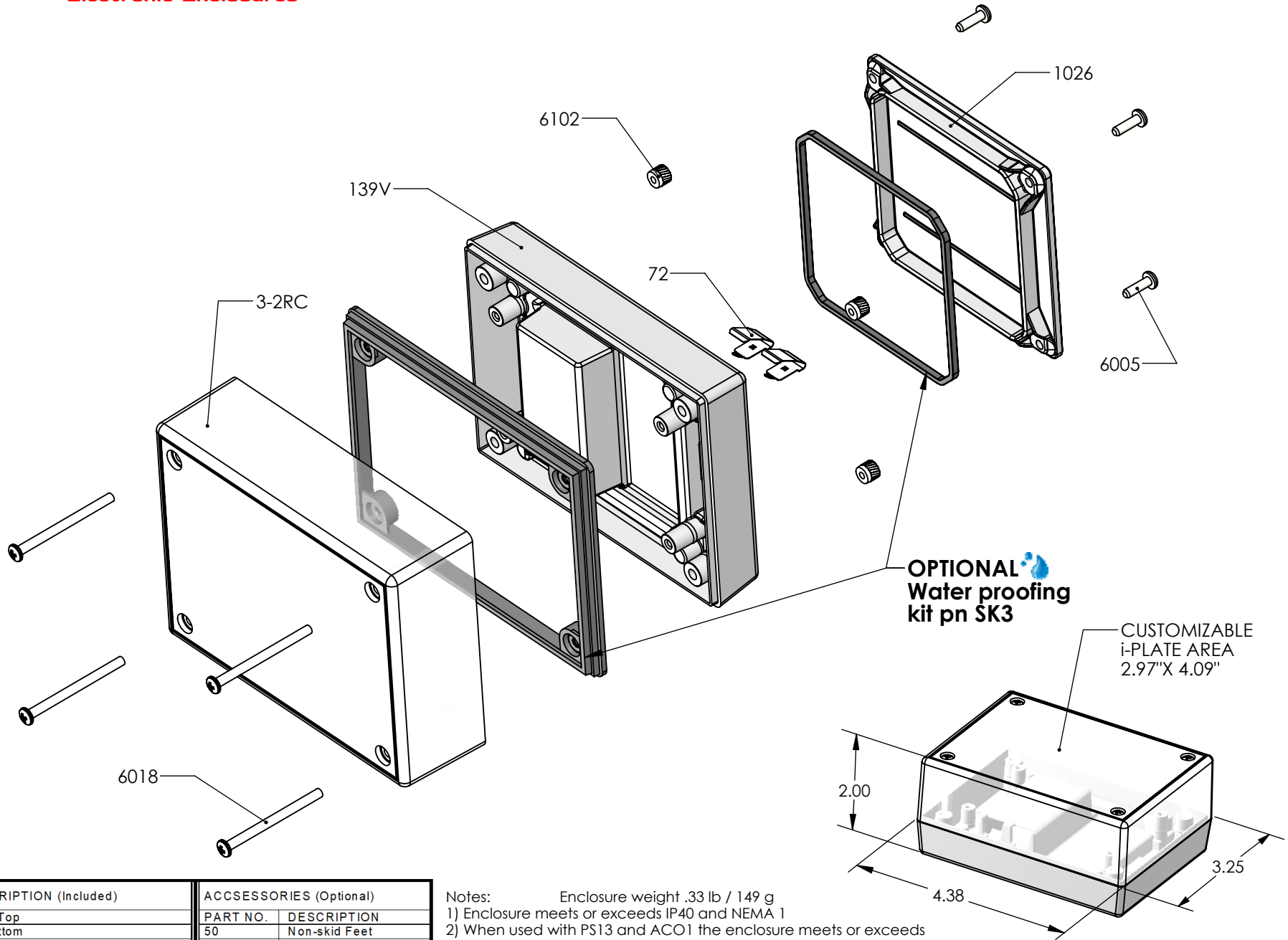


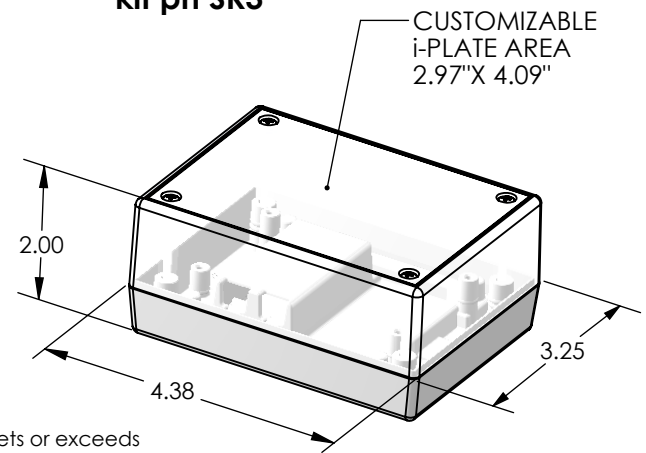
SERPAC 132RC9V (exploded isometric)

Electronic Enclosures



PART NO.	DESCRIPTION (Included)	ACCESSORIES (Optional)	
3-2RC	Clear Top	PART NO.	DESCRIPTION
139V	9V Bottom	50	Non-skid Feet
1026	Access Door	SK3	Seal Kit for 13X
6005	#4X3/8" Self-Tapping Screw (4)		
6018	4-40 Screw (4)		
6102	Threaded Insert (4)		
73	Double Battery Contact (1)		
72	Single Battery Contact (2)		

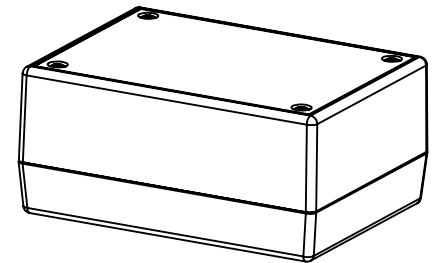
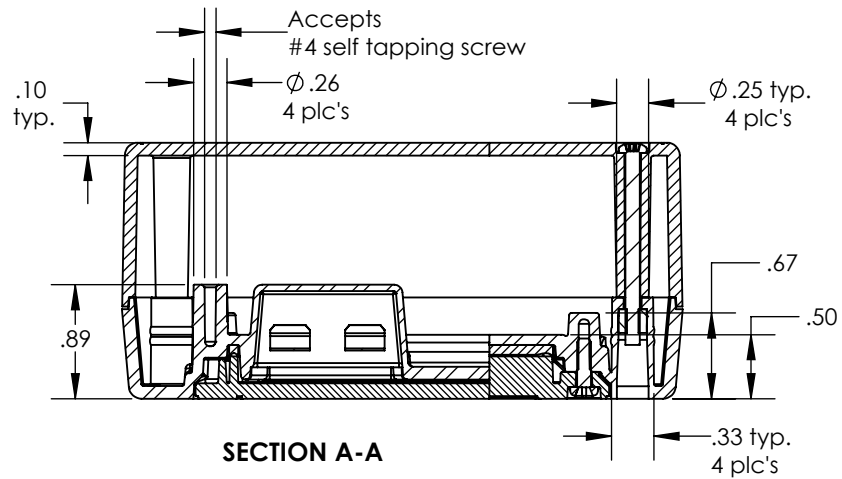
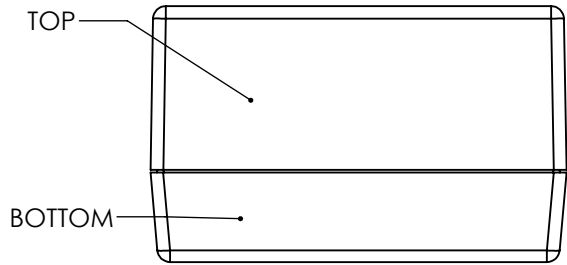
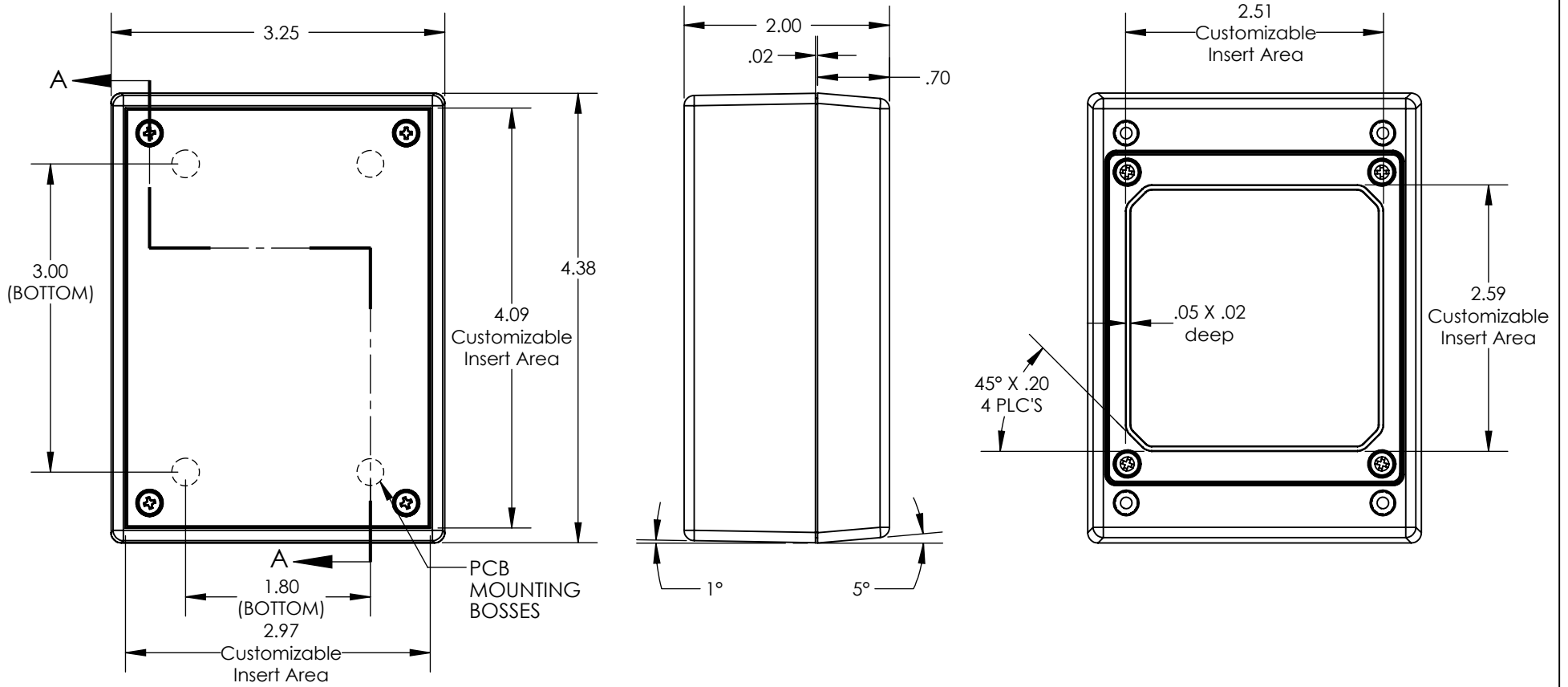
- Notes:
- 1) Enclosure weight .33 lb / 149 g
 - 2) When used with PS13 and ACO1 the enclosure meets or exceeds IP 67 and NEMA 4X, 12 and 13 MIL-STD-810G 506.5 (.02 lb / 10 g)
 - 3) Circuit Board drawings can be download at: <https://serpac.com/accessories/circuit-boards.aspx>
 - 4) All components are RoHS Compliant.



ALL DIMENSIONS ARE ± .010" 11/23/2021 (1 of 3)
 2009 Wright Ave. La Verne, CA 91750
 Ph. (626) 331-0517 Fx. (626) 331-8584 serpac.com

SERPAC 132RC9V

Electronic Enclosures



CIRCUIT BOARD FOR BOTTOM

