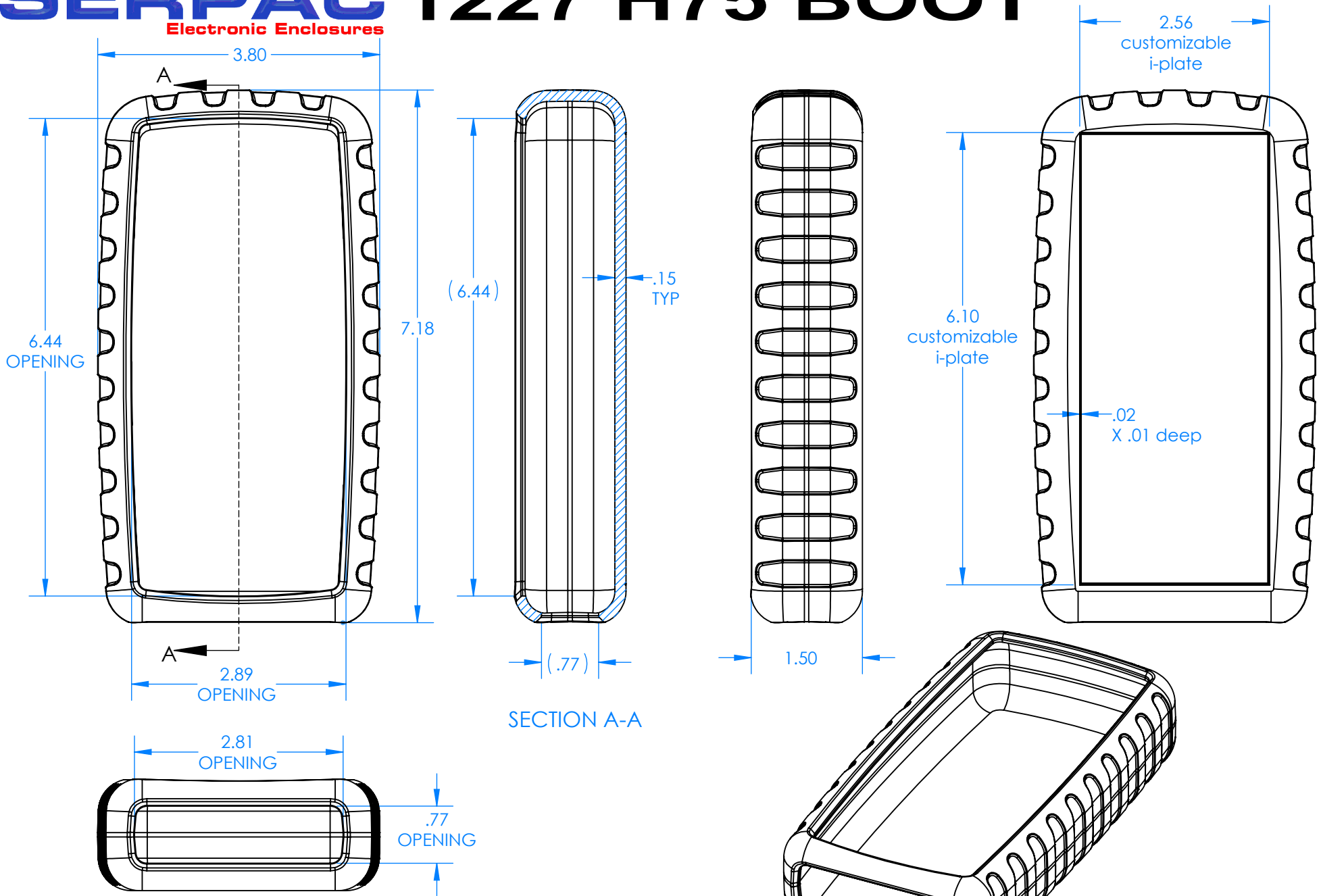


# SERPAC 1227 H75 BOOT

Electronic Enclosures



Notes:

- 1) All components are RoHS Compliant.
- 2) Enclosure weight .31 lb / 139 g