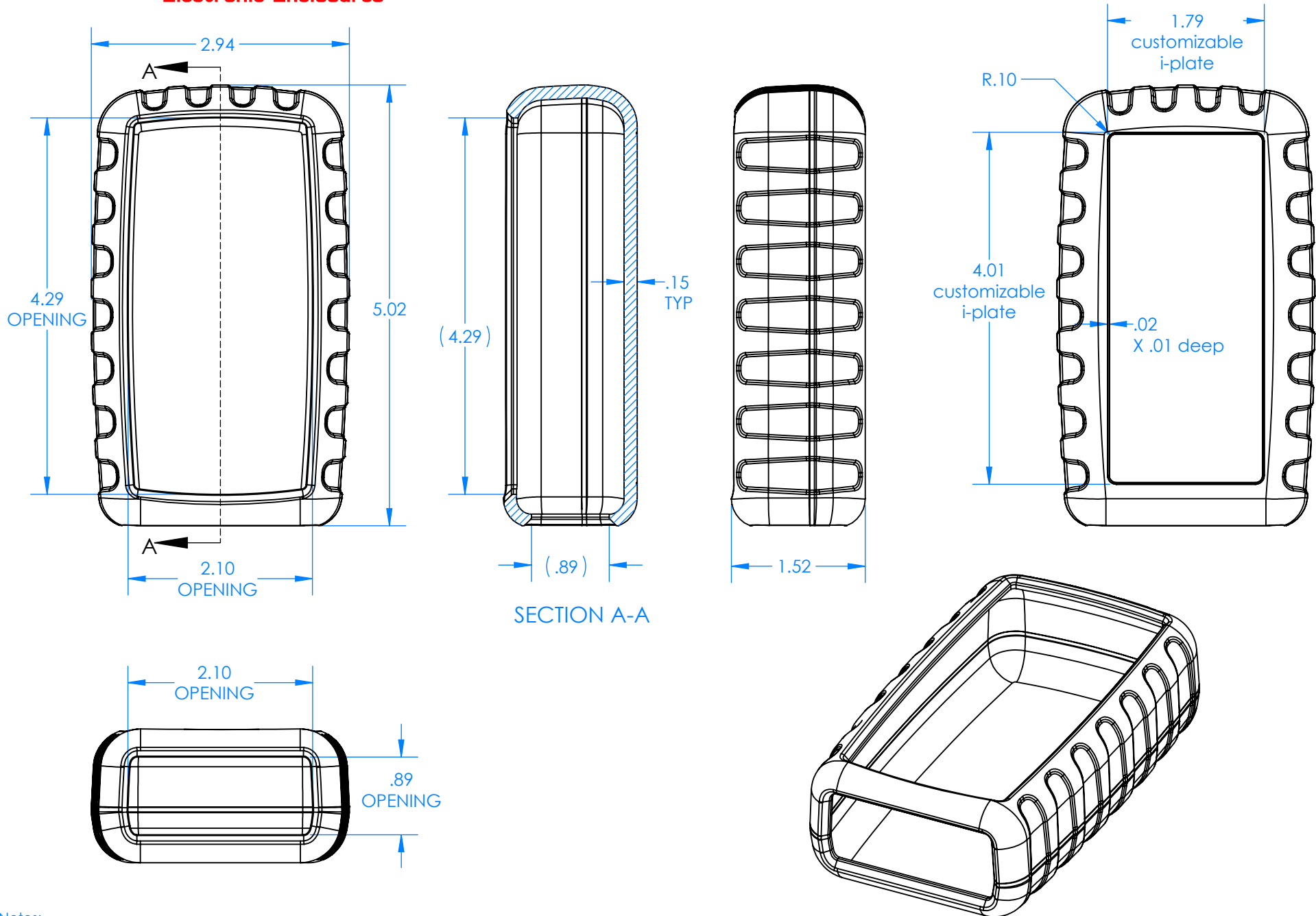


SERPAC 1226 H67 BOOT

Electronic Enclosures



Notes:

- 1) All components are RoHS Compliant.
- 2) Enclosure weight .18 lb / 84 g