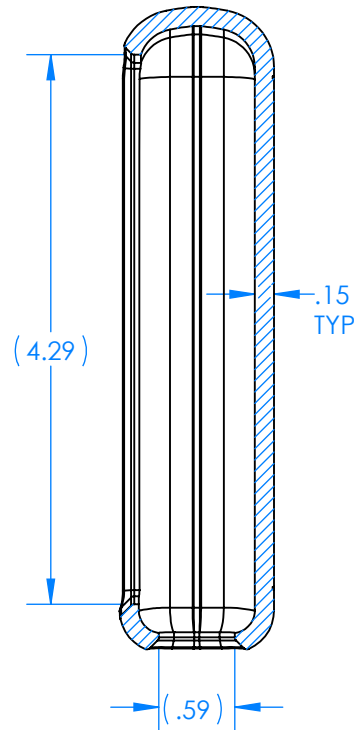
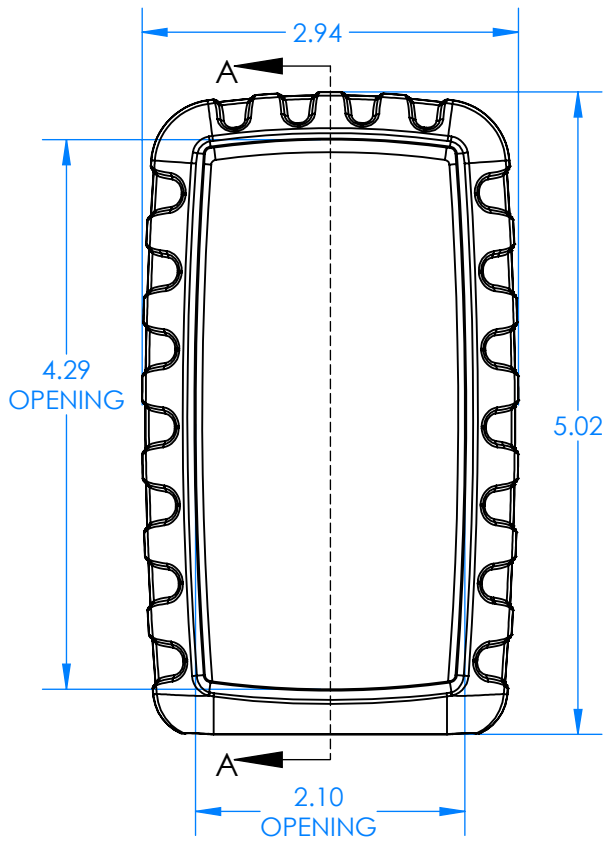
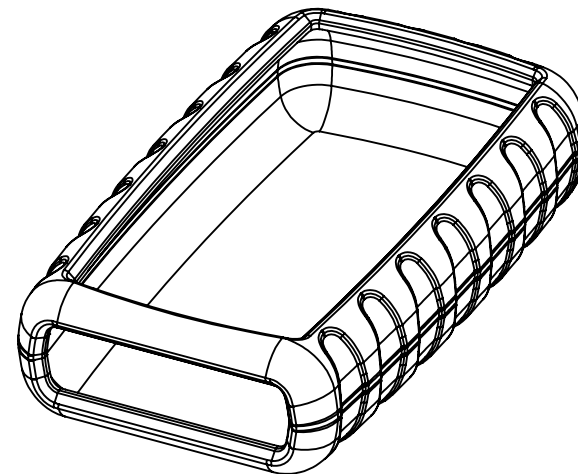
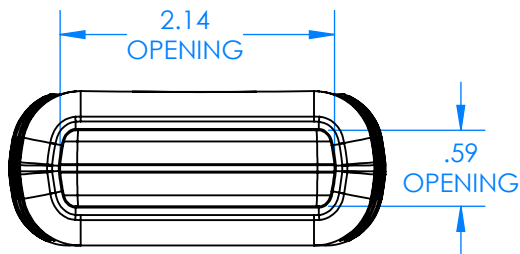
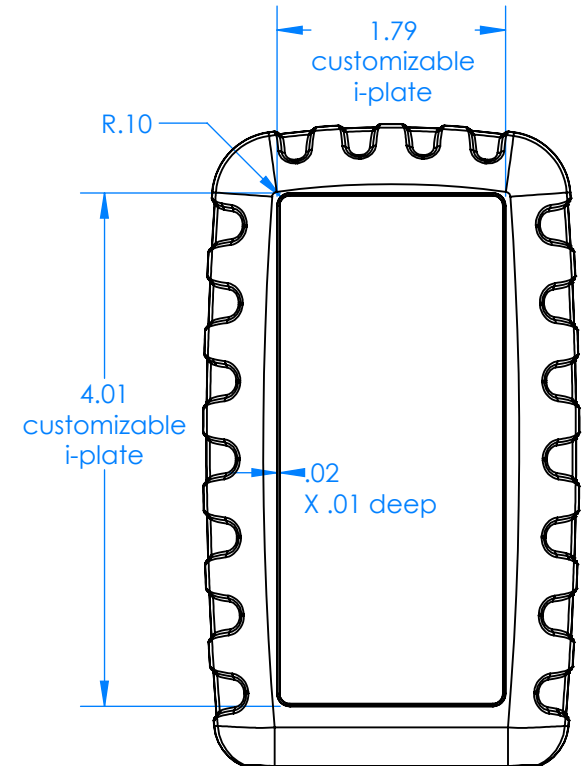
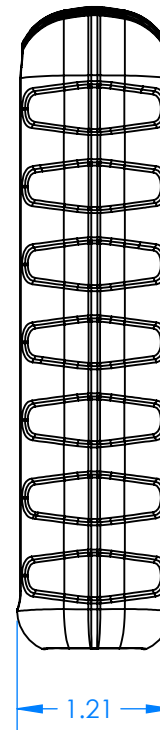


SERPAC 1225 H65 BOOT

Electronic Enclosures



SECTION A-A



Notes:

- 1) All components are RoHS Compliant.
- 2) Enclosure weight .16 lb / 73 g