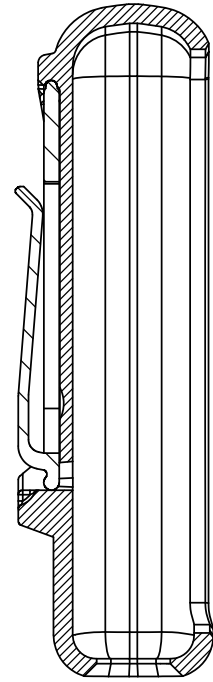
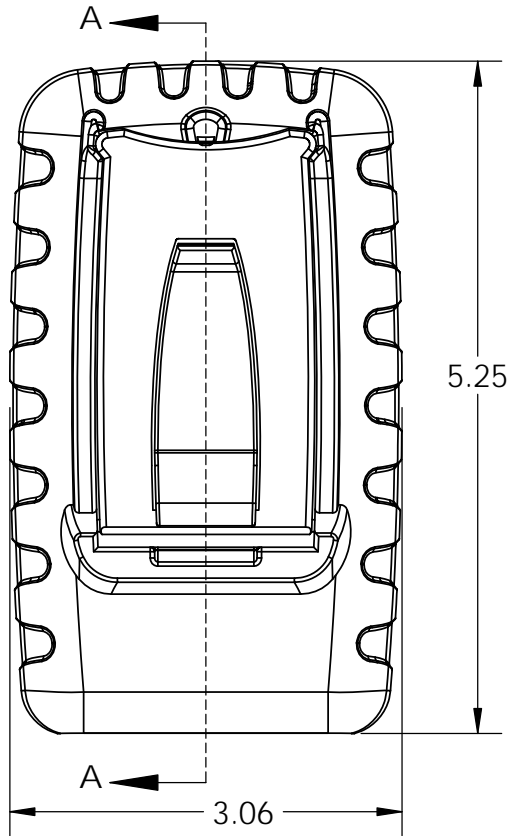
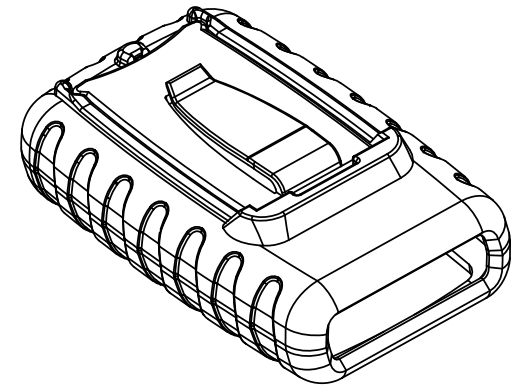
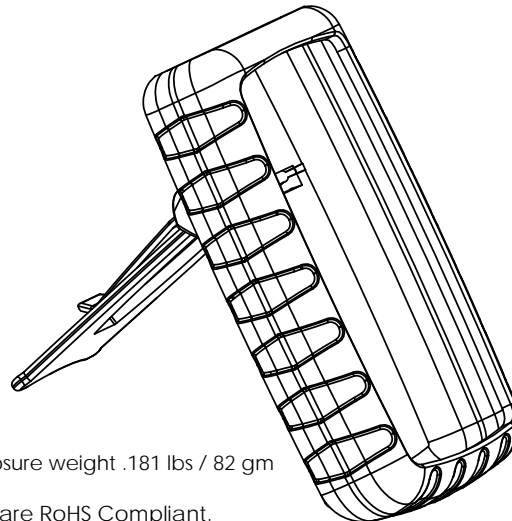
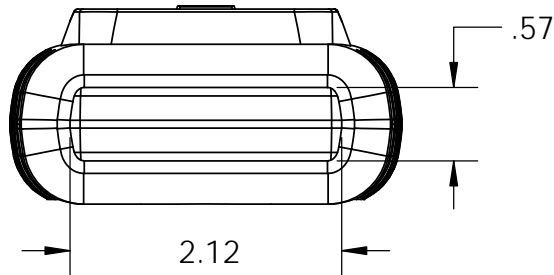
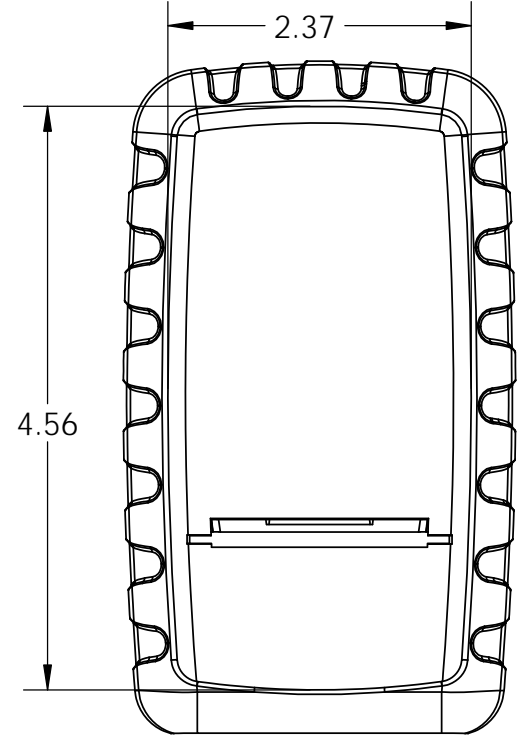
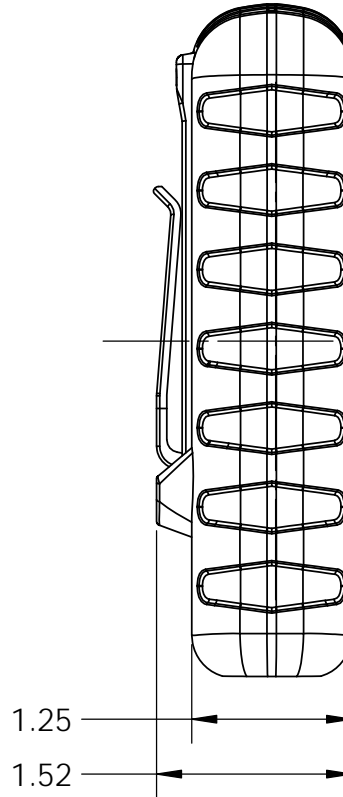


# 1223 H65 BOOT



SECTION A-A  
SCALE 1 : 1.5



PART NO.	DESCRIPTION (Included)	ACCESSORIES (Optional)	
		PART NO.	DESCRIPTION
1222	Boot Stand		
1221	H65 Boot		

Notes: Enclosure weight .181 lbs / 82 gm

1) All components are RoHS Compliant.