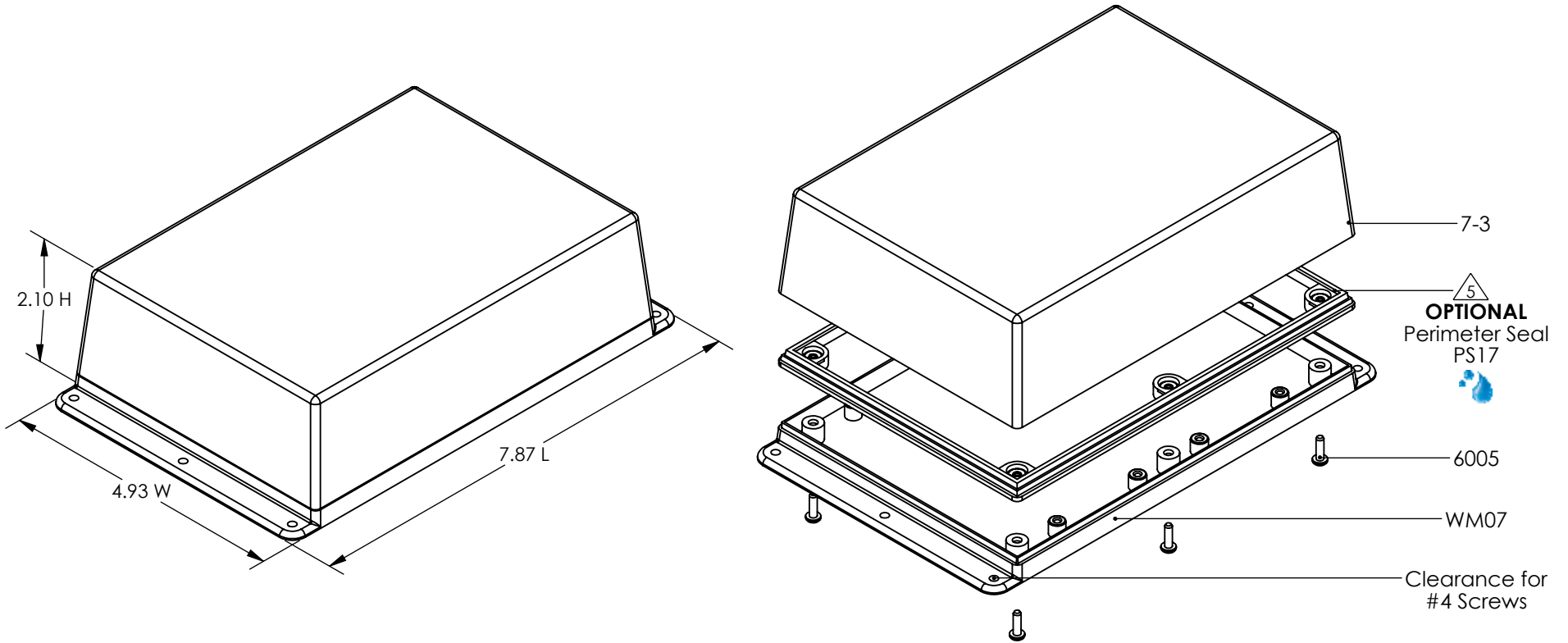


SERPAC WM073

ELECTRONIC ENCLOSURES

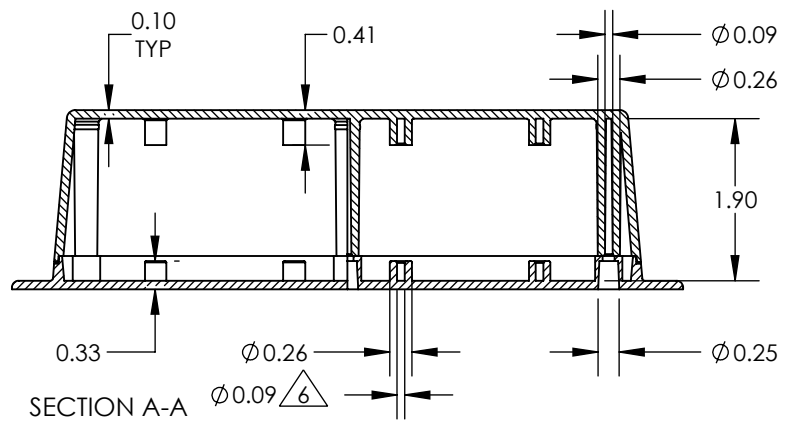
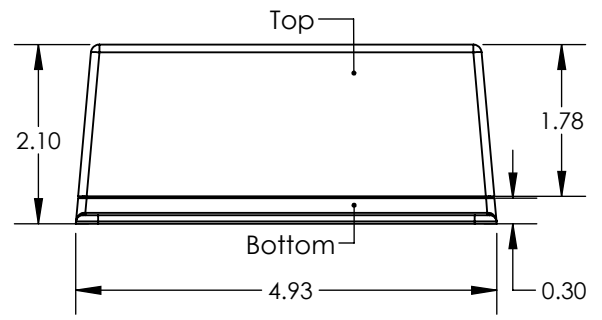
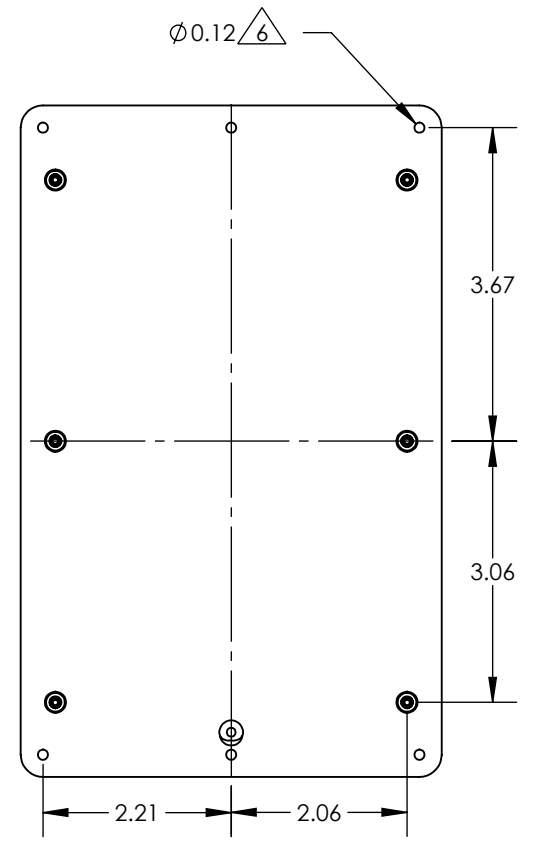
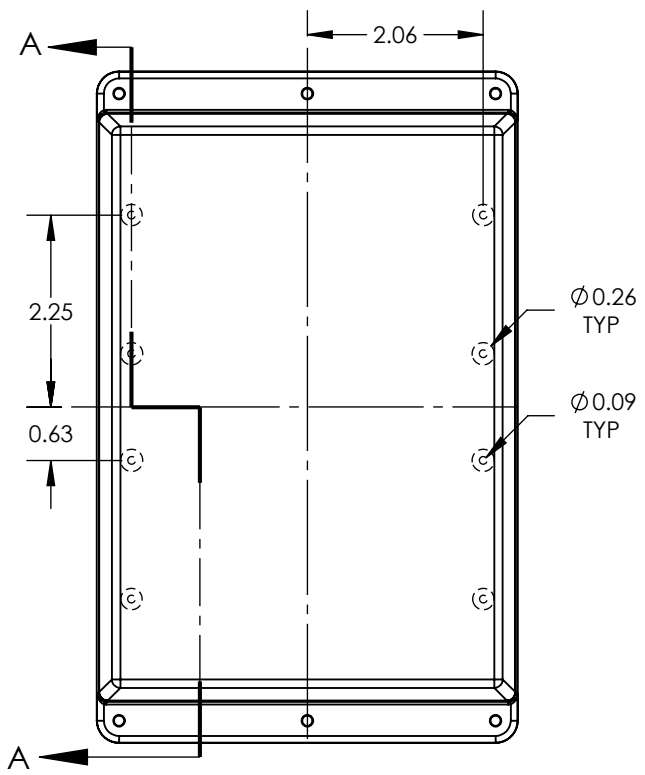


PART NO.	DESCRIPTION (Included)	ACCESSORIES (Optional)	
7-3	Top	PART NO.	DESCRIPTION
WM07	Wall Mounted Bottom	60	Standoff Hole
6005	#4X3/8" Self-Tapping Screw (6)	61	Standoff Post
		PS17	Waterproof Perimeter Seal
		1040	2AA Battery Holder

Notes: Enclosure weight .45 lb / 206 g
 1) Enclosure meets or exceeds IP40 and NEMA 1
 2) Circuit Board drawings see sheet 3.
 3) All components are RoHS Compliant.
 4) Material: Top and Bottom ABS.
 5) When used with PS17 the enclosure meets or exceeds IP 67 and NEMA 4X, 12 and 13 MIL-STD-810G 506.5 (.03 lb / 14g)

SERPAC WM073

ELECTRONIC ENCLOSURES



Notes: Enclosure weight .45 lb / 206 g
 1) Enclosure meets or exceeds IP40 and NEMA 1
 2) Circuit Board drawings see sheet 3.
 3) All components are RoHS Compliant.
 4) Material: Top and Bottom ABS.
 When used with PS17 the enclosure meets or exceeds IP 67
 and NEMA 4X, 12 and 13 MIL-STD-810G 506.5 (.03 lb / 14g)
 6) Accepts #4 self tapping screw. \triangle_6

SERPAC WM073 CIRCUIT BOARD

ELECTRONIC ENCLOSURES

Top & Bottom Option

