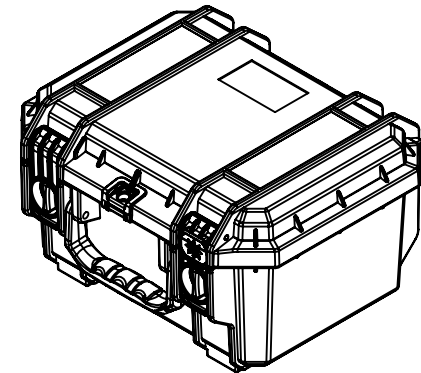
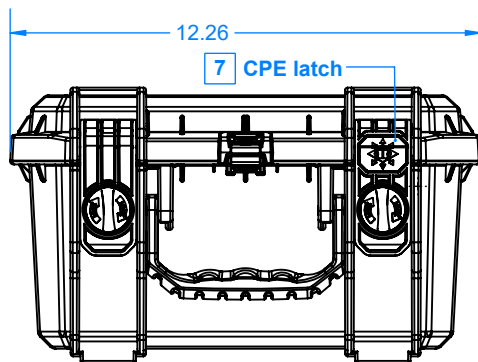
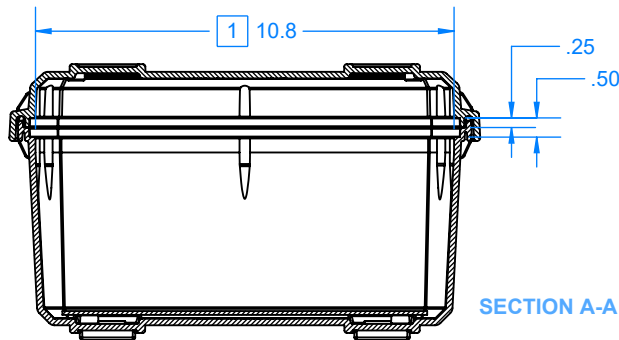
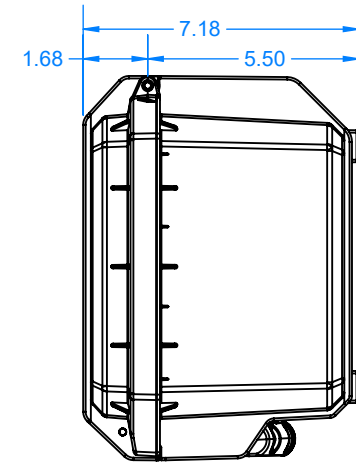
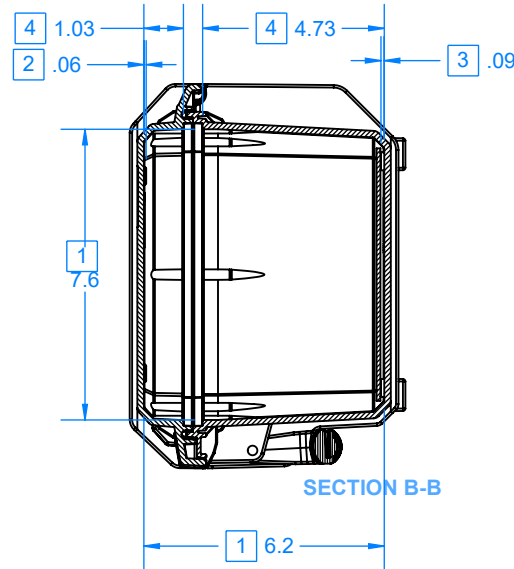
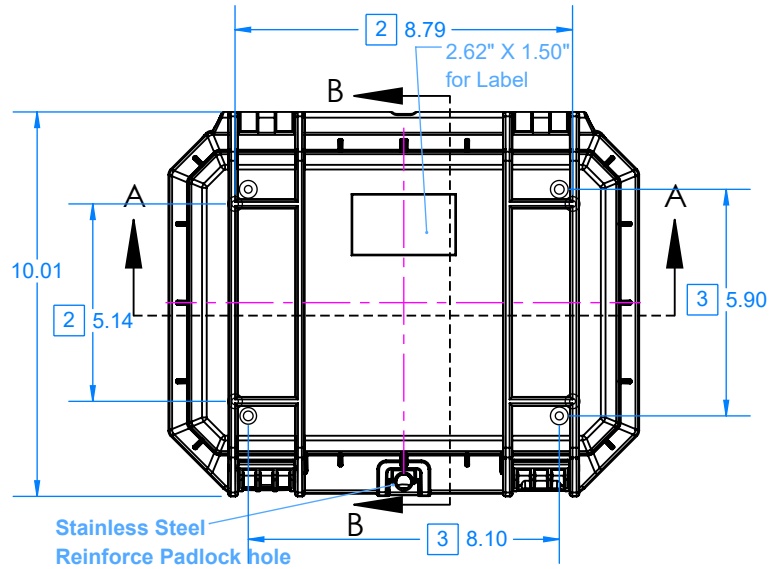
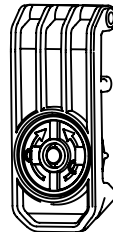


# SE333

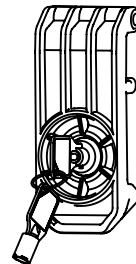
# SEAHORSE PROTECTIVE EQUIPMENT CASES



5 SE335PL  
plastic lock



5 SE335ML  
metal lock

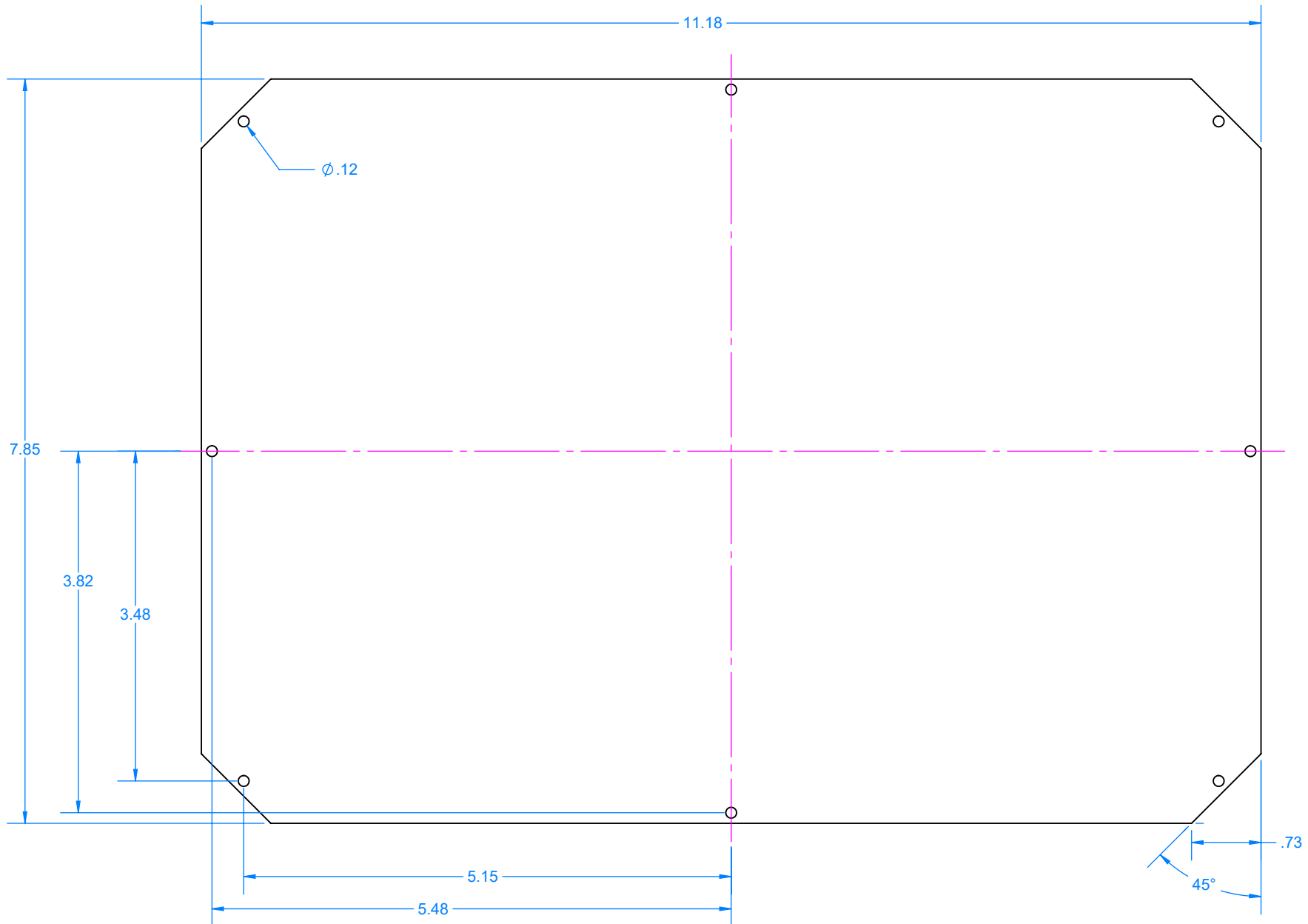


## NOTES:

- 1) Max. usable inside dimensions are:  
10.8" X 7.6" X 6.2"
- 2) Bosses on Top use a #10 self tapping screw.
- 3) Bosses on bottom use a #10 self tapping screw.
- 4) Dimensions to bottom of panel flange.
- 5) Optional latches specify:  
SE333ML with Metal Lock.  
SE333PL with Plastic Lock.
- 6) Weight empty/w-foam: 3.3/3.6 lb.  
Buoyancy: 15 lb.  
Weight capacity: 37 lb.
- 7) CPE = Continues Pressure Equalization latch.

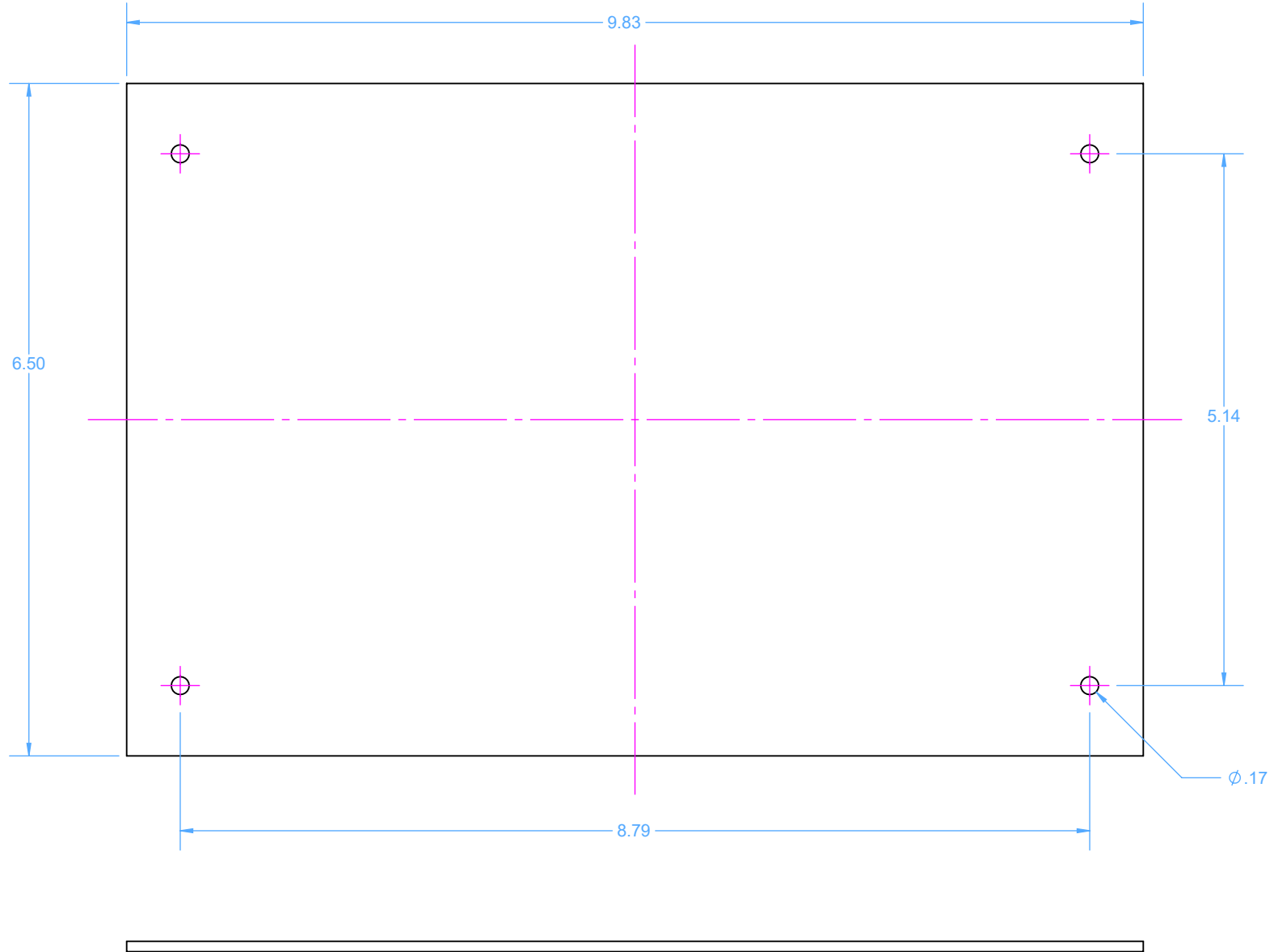
# SE333 Panel

**SEAHORSE**  
PROTECTIVE EQUIPMENT CASES



# Top Panel for SE333

**SEAHORSE**  
PROTECTIVE EQUIPMENT CASES



# Bottom Panel for SE333

**SEAHORSE**  
PROTECTIVE EQUIPMENT CASES

