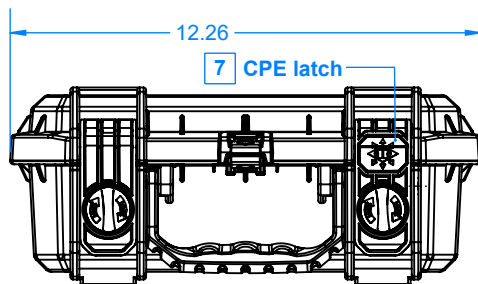
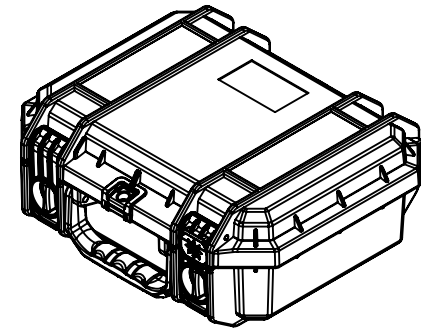
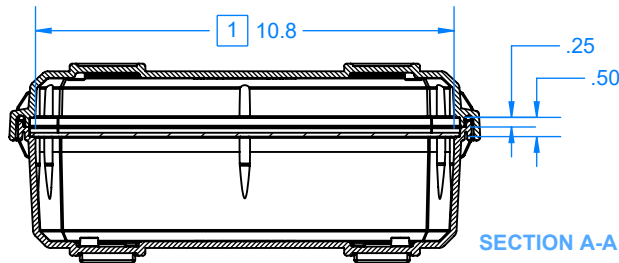
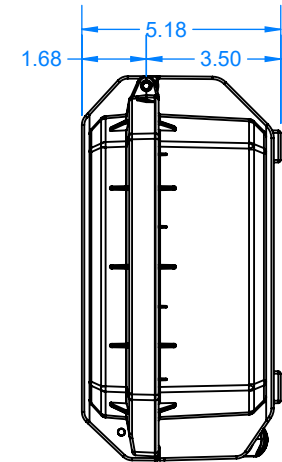
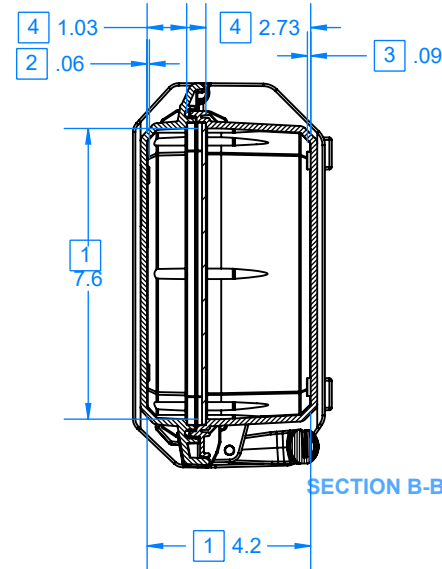
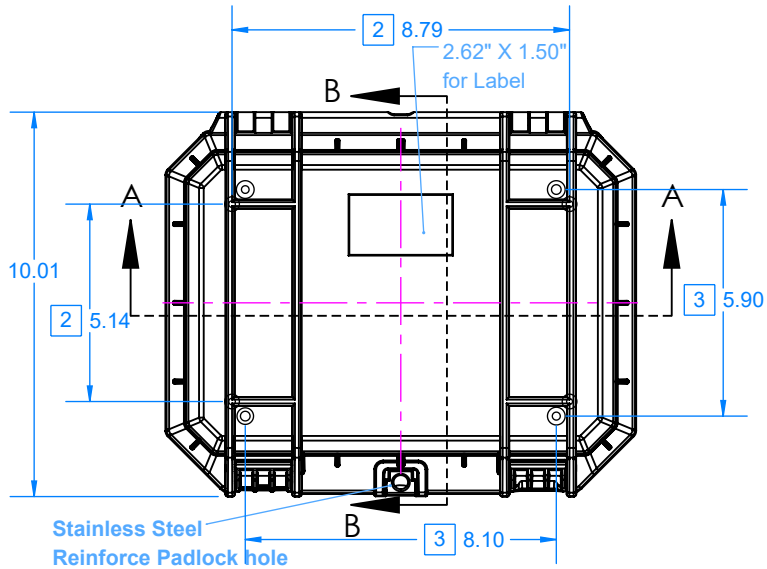


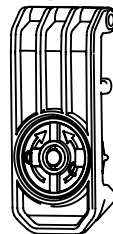
SE331

SEAHORSE

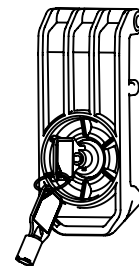
PROTECTIVE EQUIPMENT CASES



5 SE335PL plastic lock



5 SE335ML metal lock

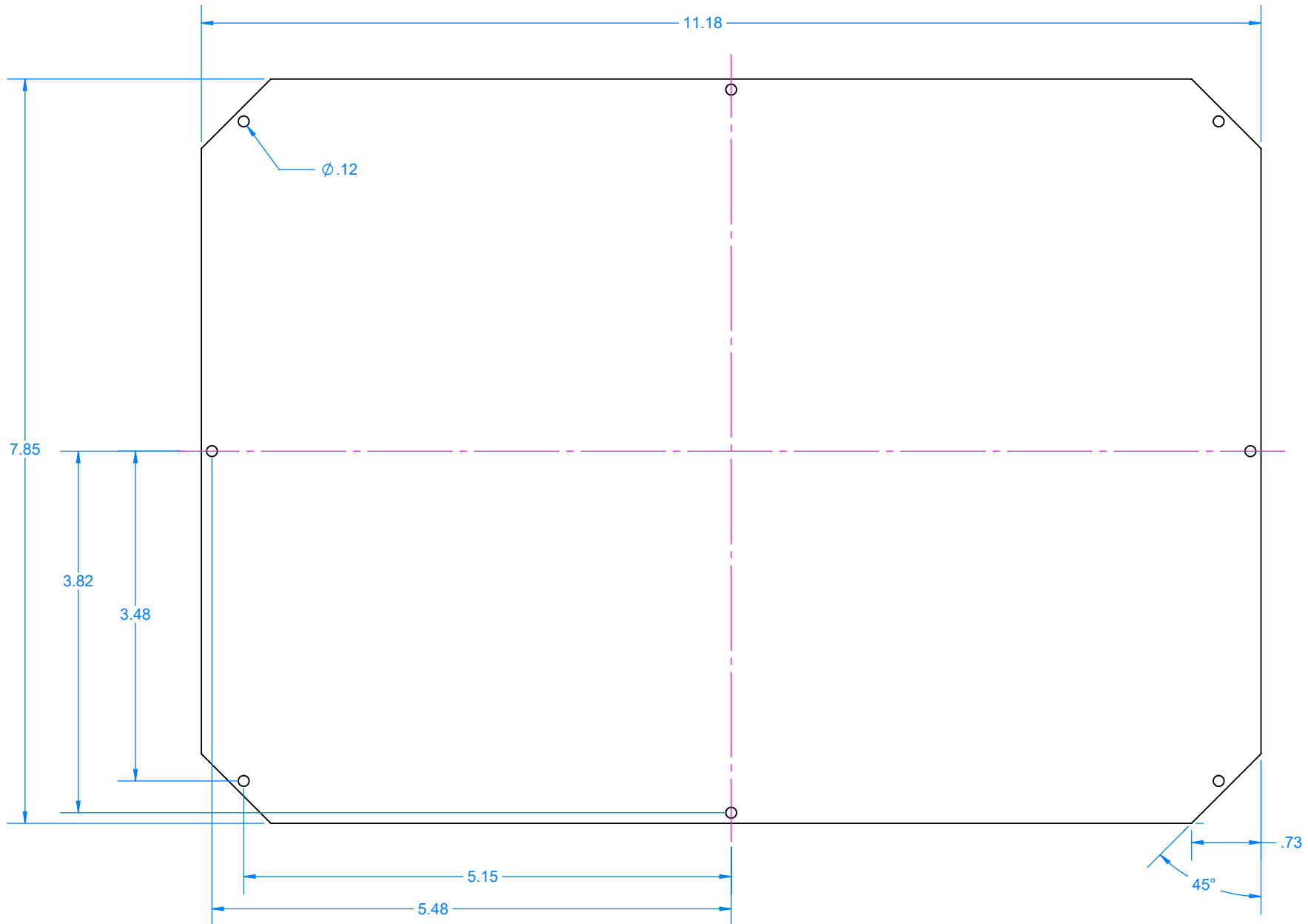


NOTES:

- 1) Max. usable inside dimensions are: 10.8" X 7.6" X 4.2"
- 2) Bosses on Top use a #10 self tapping screw.
- 3) Bosses on bottom use a #10 self tapping screw.
- 4) Dimensions to bottom of panel flange.
- 5) Optional latches specify:
SE331ML with Metal Lock.
SE331PL with Plastic Lock.
- 6) Weight empty/w-foam: 2.8/3.00 lb.
Buoyancy: 11 lb.
Weight capacity: 30 lb.
- 7) CPE = Continues Pressure Equalization latch.

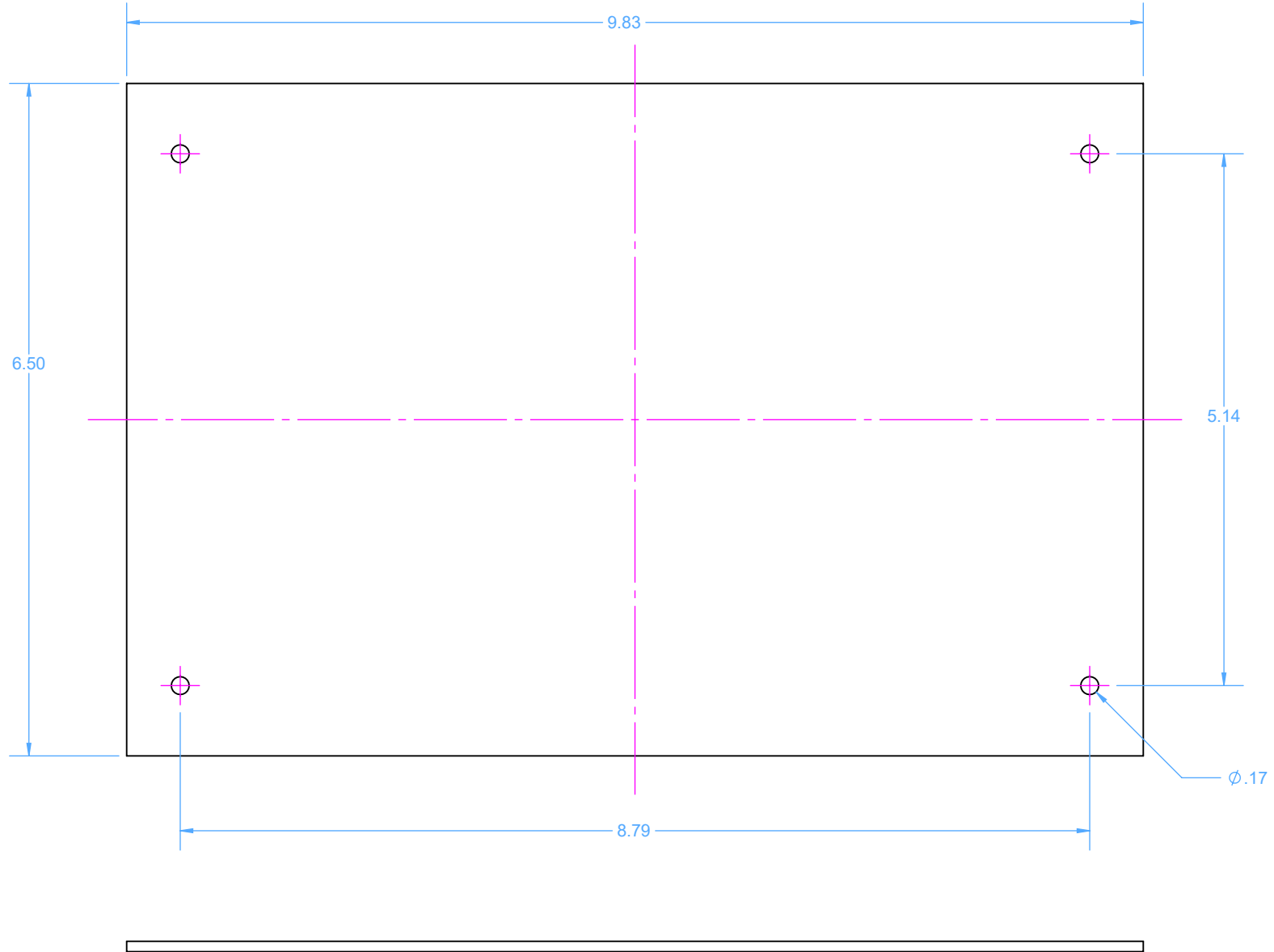
SE331 Panel

SEAHORSE
PROTECTIVE EQUIPMENT CASES



Top Panel for SE331

SEAHORSE
PROTECTIVE EQUIPMENT CASES



Bottom Panel for SE331

SEAHORSE
PROTECTIVE EQUIPMENT CASES

