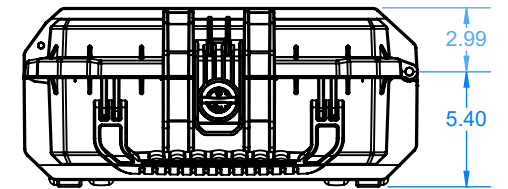
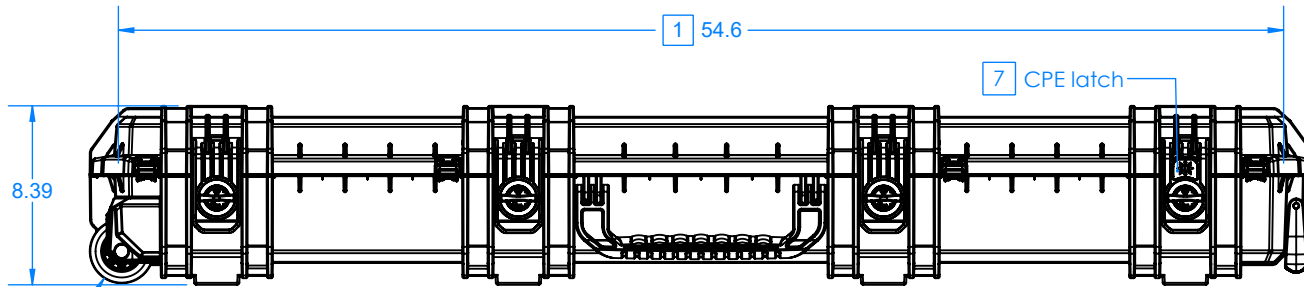
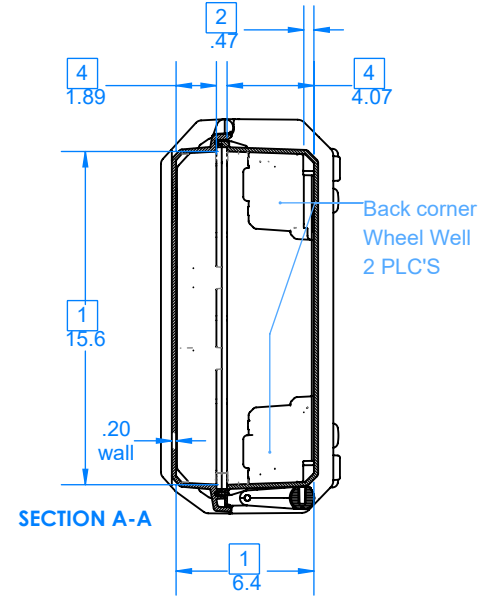
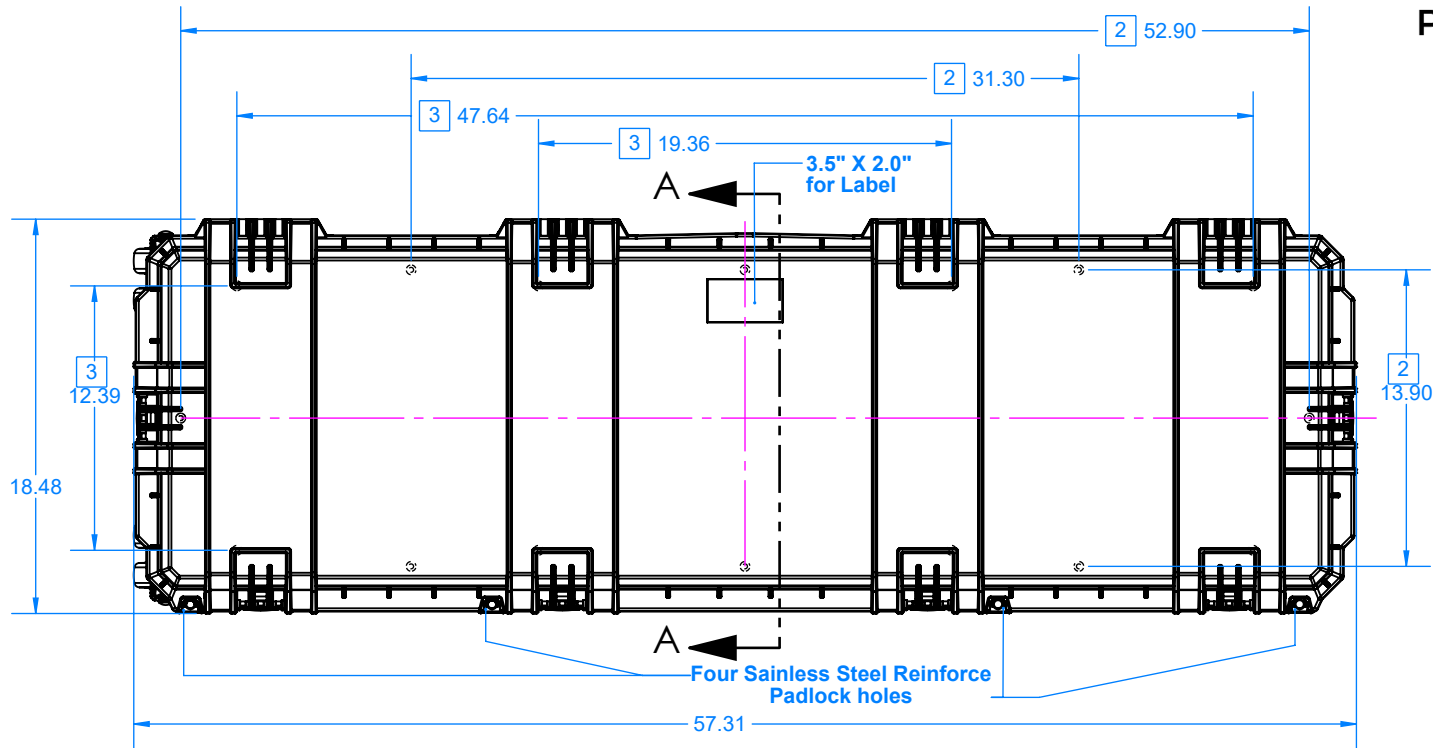


SE 1630

SEAHORSE

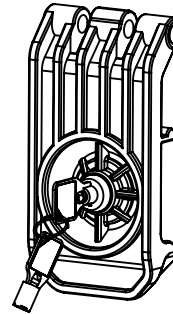
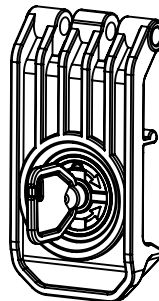
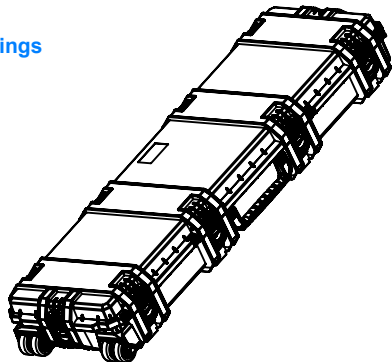
PROTECTIVE EQUIPMENT CASES



Ø3.00
Seal Ball Bearings
Wheels (4)

5 SE1630PL
plastic latch

5 SE1630ML
metal latch

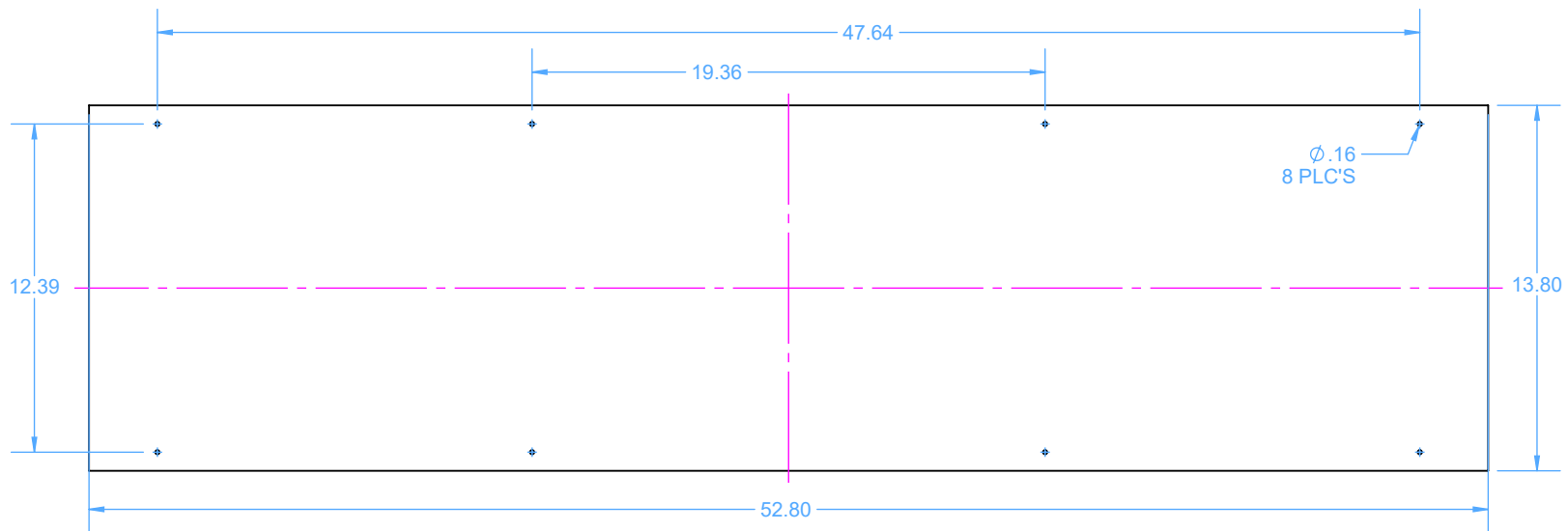


NOTES:

- 1) Max. usable inside dimensions are:
54.6" X 15.6" X 6.4"
- 2) Bosses on bottom use a # 1/4 self tapping screw.
- 3) Bosses on top use a # 10 self tapping screw.
- 4) Dimensions to bottom of panel flange.
- 5) Optional latches with Metal Lock specify p/n 1630ML
Optional latches with Plastic Lock specify p/n 1630PL
- 6) Weight empty/w-foam: 27.8/31.10 lb.
Buoyancy: 172 lb.
Weight Capacity: 120 lb.
- 7) CPE = Continues Pressure Equalization latch.

Top mounting plate for SE1630

SEAHORSE
PROTECTIVE EQUIPMENT CASES



Bottom mounting plate for SE1630

SEAHORSE
PROTECTIVE EQUIPMENT CASES

