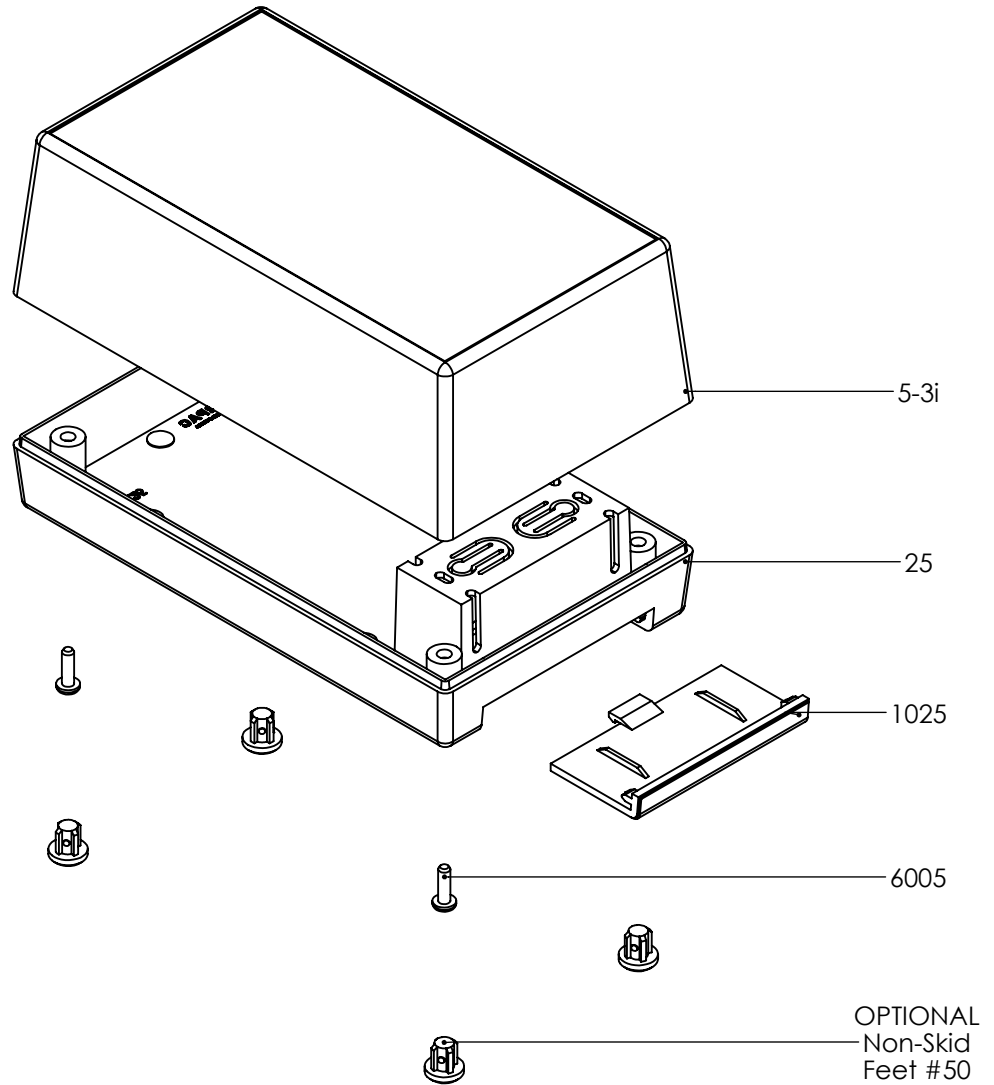
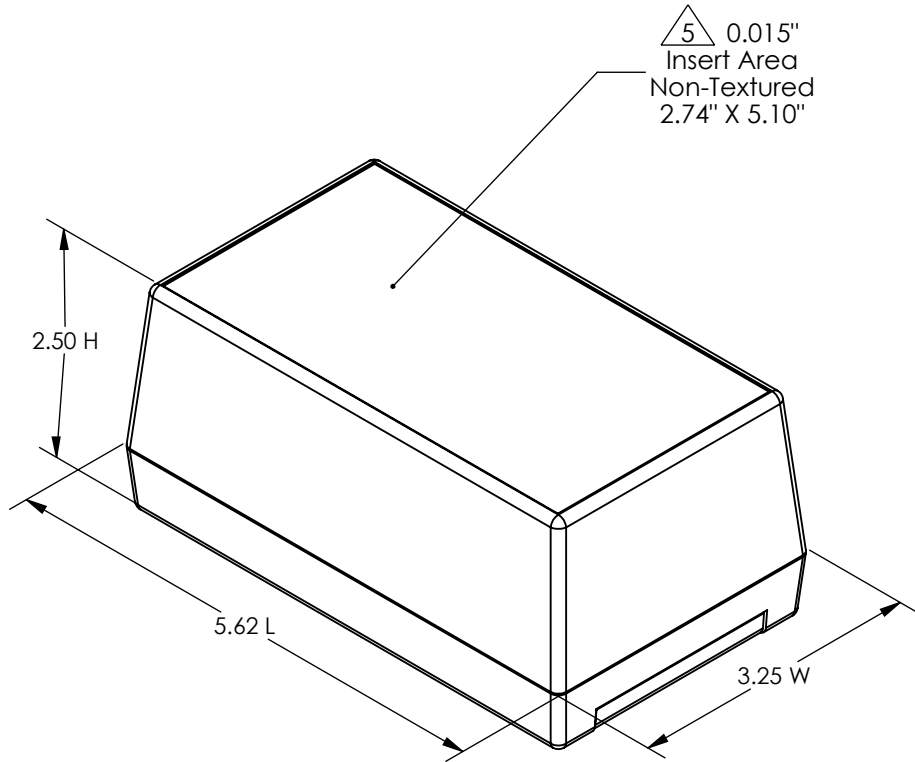


SERPAC 253i

ELECTRONIC ENCLOSURES

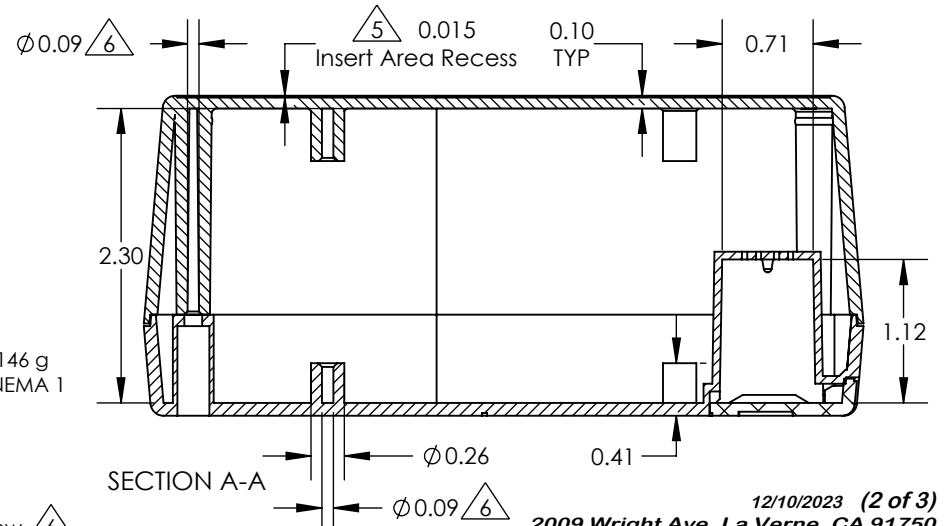
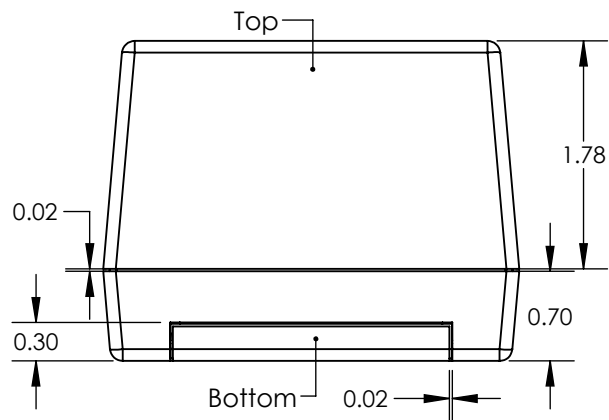
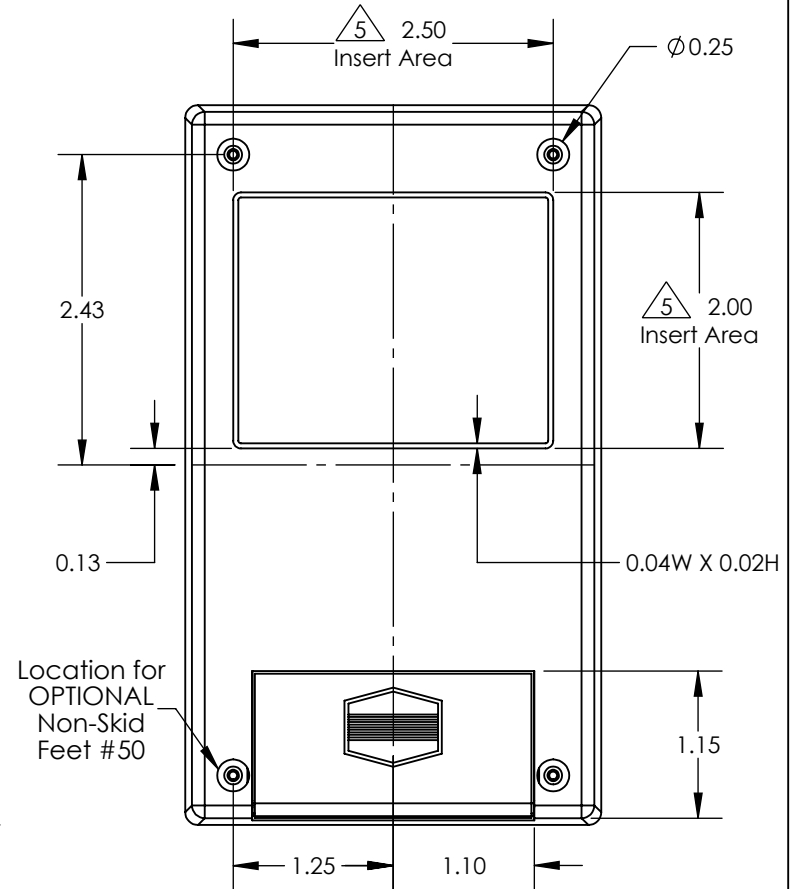
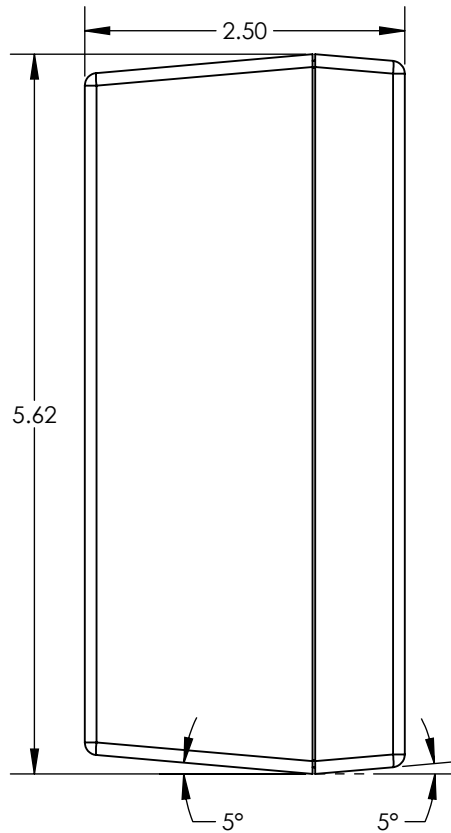
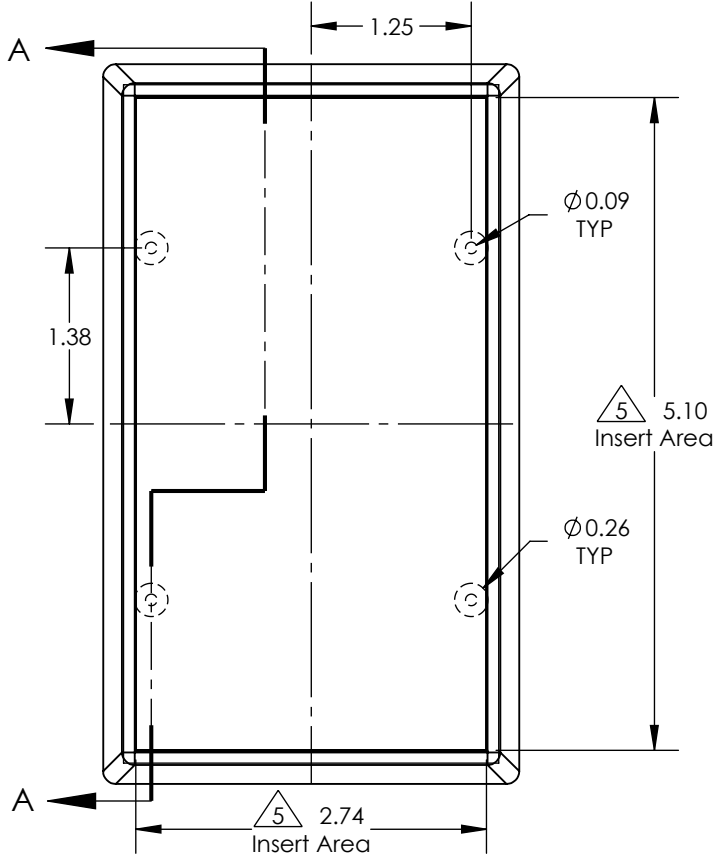


| PART NO. | DESCRIPTION (Included) | ACCESSORIES (Optional) | |
|----------|--------------------------------|------------------------|--------------------|
| 5-3i | Top | PART NO. | DESCRIPTION |
| 25 | 9V Bottom | 1030 | Pocket Clip |
| 6005 | #4X3/8" Self-Tapping Screw (4) | 1040 | 2AA Battery Holder |
| 1025 | Battery Cover | 50 | Non-skid Feet |
| | | 55 | Key Holder |
| | | 60 | Standoff Hole |
| | | 61 | Standoff Post |

Notes: Enclosure weight .32 lb / 146 g
 1) Enclosure meets or exceeds IP40 and NEMA 1
 2) Circuit Board drawings see sheet 3.
 3) All components are RoHS Compliant.
 4) Material: Top and Bottom ABS.
 5) Customizable molding areas. $\triangle 5$

SERPAC 253i

ELECTRONIC ENCLOSURES

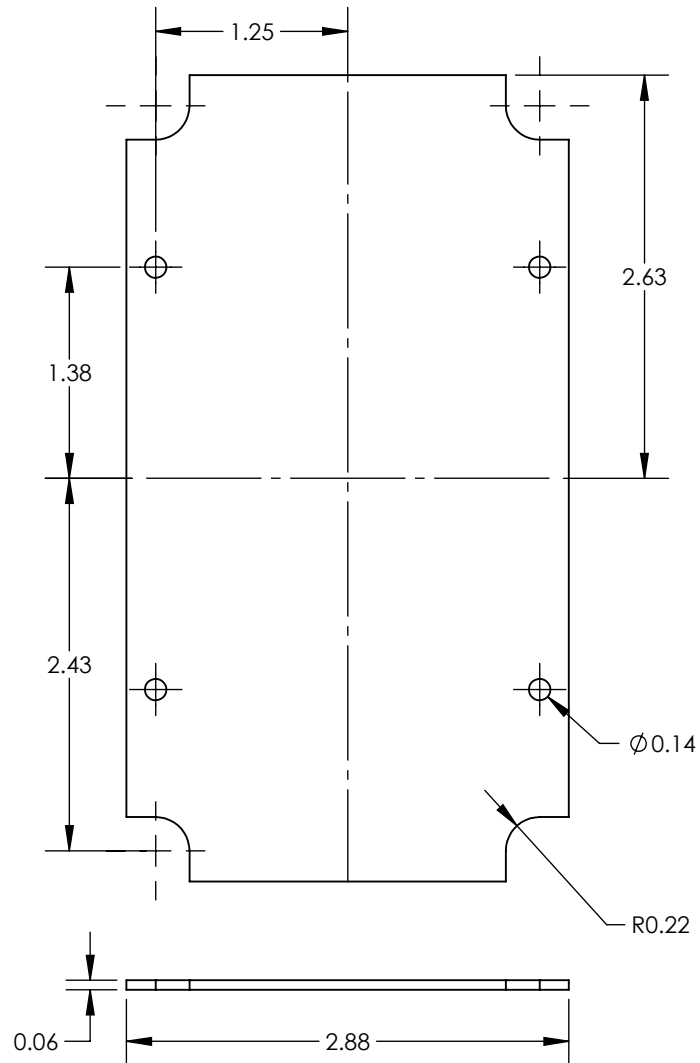


- Notes:
- 1) Enclosure weight .32 lb / 146 g
 - 2) Enclosure meets or exceeds IP40 and NEMA 1
 - 3) Circuit Board drawings see sheet 3.
 - 4) All components are RoHS Compliant.
 - 5) Material: Top and Bottom ABS.
 - 6) Customizable molding areas.
 - 7) PCB Bosses accept #4 self tapping screw.

SERPAC 253i CIRCUIT BOARD

ELECTRONIC ENCLOSURES

Top Option



Bottom Option

