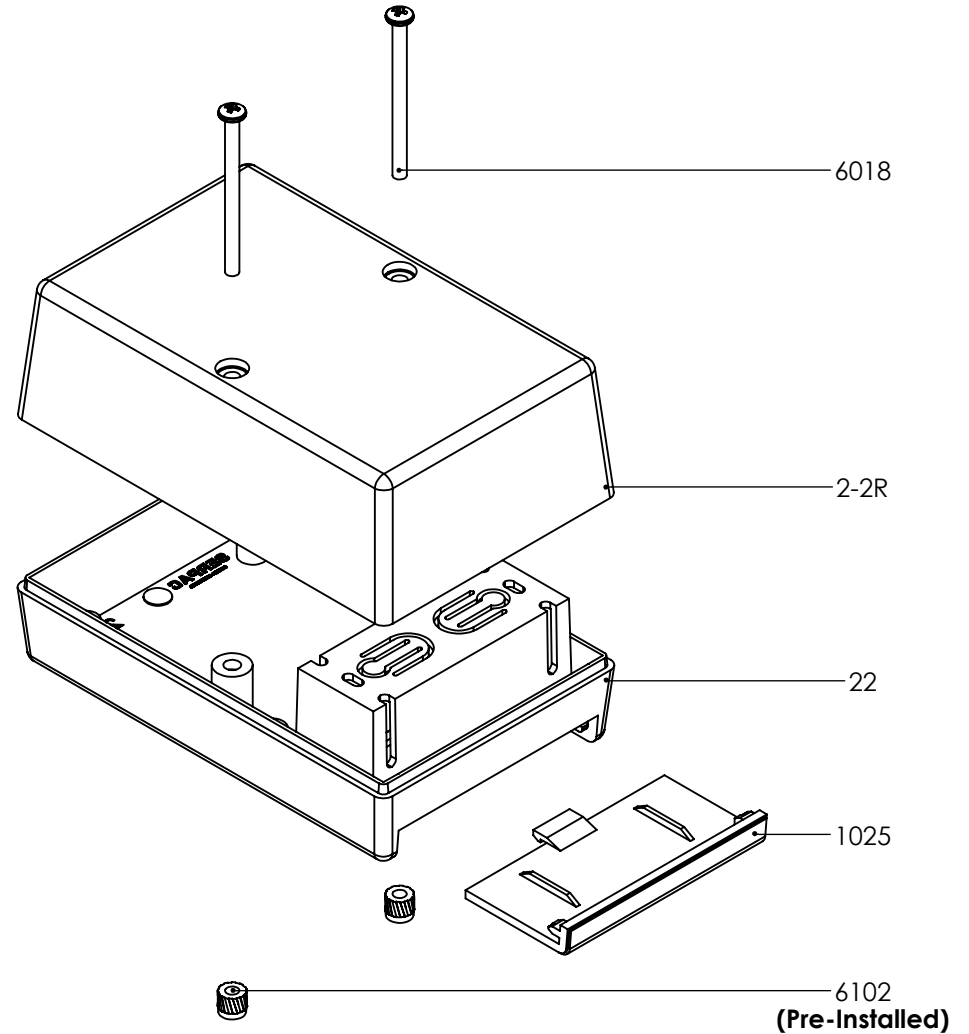
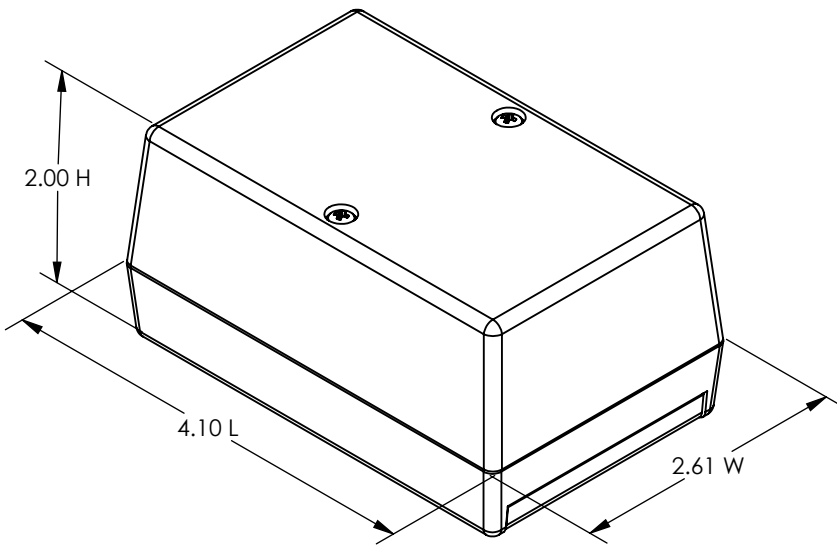


SERPAC 222R

ELECTRONIC ENCLOSURES

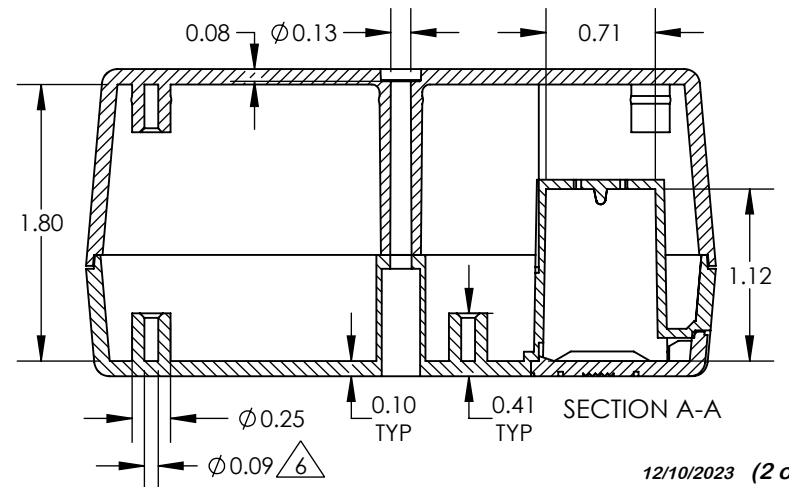
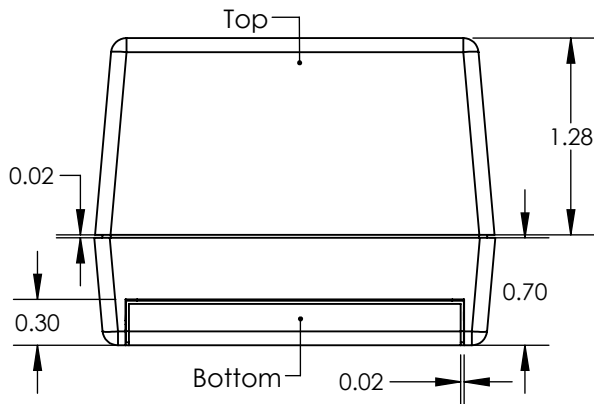
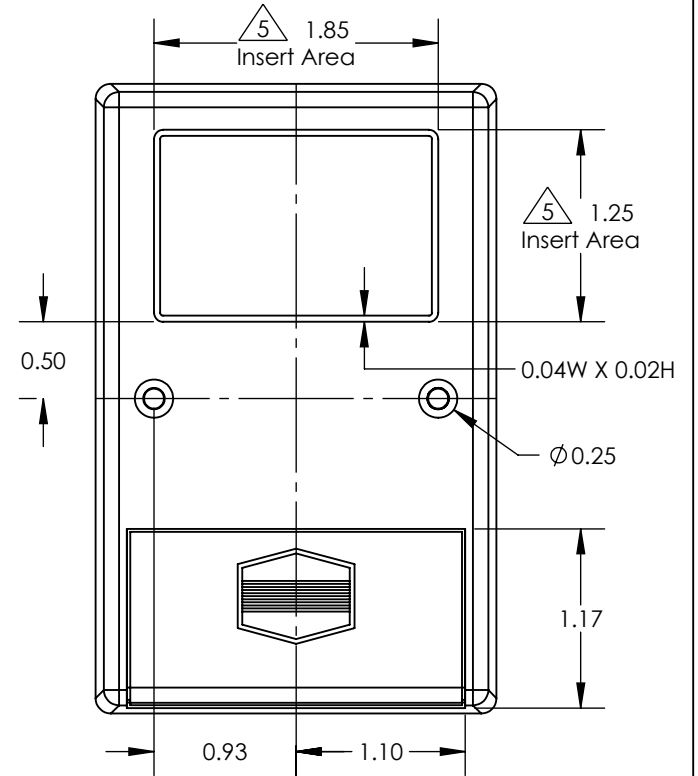
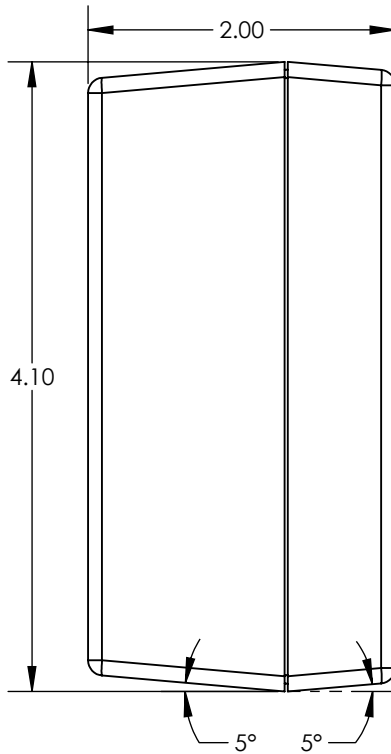
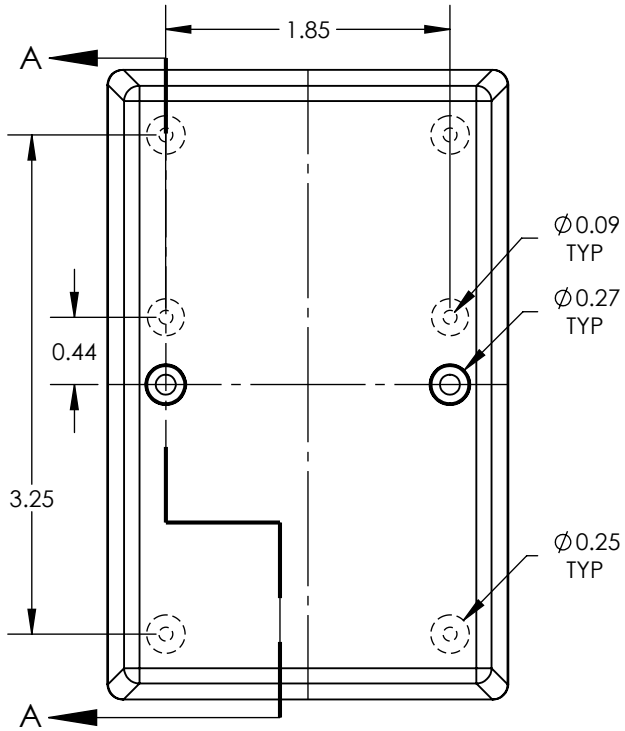


PART NO.	DESCRIPTION (Included)	ACCESSORIES (Optional)	
2-2R	Top	PART NO.	DESCRIPTION
22	9V Bottom	60	Standoff Hole
1025	Battery Cover	61	Standoff Post
6018	4-40 x 1 1/2" Screw (2)	55	Key Holder
6102	4-40 Threaded Inserts (2)	1030	Pocket Clip

Notes: Enclosure weight .19 lb / 88 g
 1) Enclosure meets or exceeds IP40 and NEMA 1
 2) Circuit Board drawings see sheet 3.
 3) All components are RoHS Compliant.
 4) Material: Top and Bottom ABS.

SERPAC 222R

ELECTRONIC ENCLOSURES

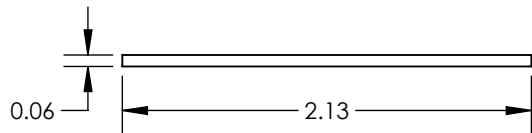
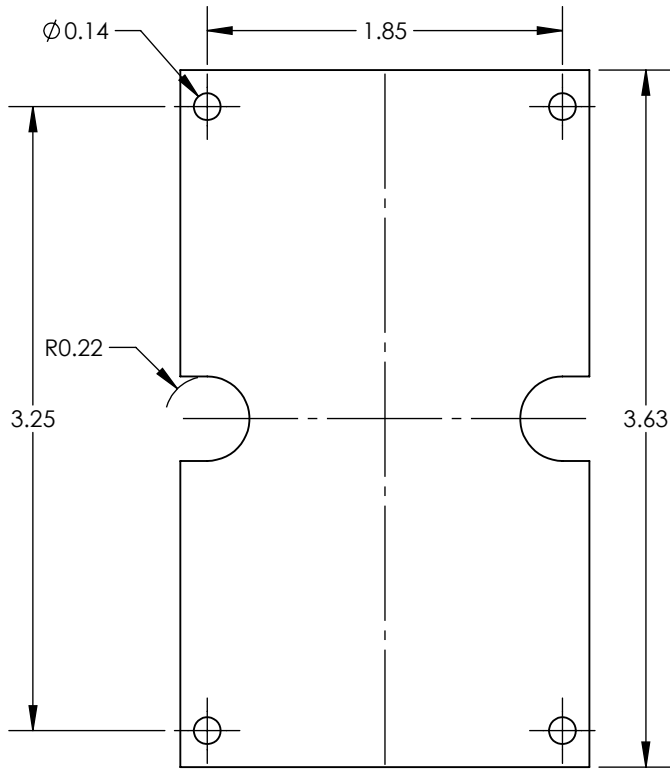


- Notes:
- 1) Enclosure weight .19 lb / 88 g
 - 2) Circuit Board drawings see sheet 3.
 - 3) All components are RoHS Compliant.
 - 4) Material: Top and Bottom ABS.
 - 5) Customizable molding areas. $\triangle 5$
 - 6) PCB Bosses accept #4 self tapping screw. $\triangle 6$

SERPAC 222R CIRCUIT BOARD

ELECTRONIC ENCLOSURES

Top Option



Bottom Option

