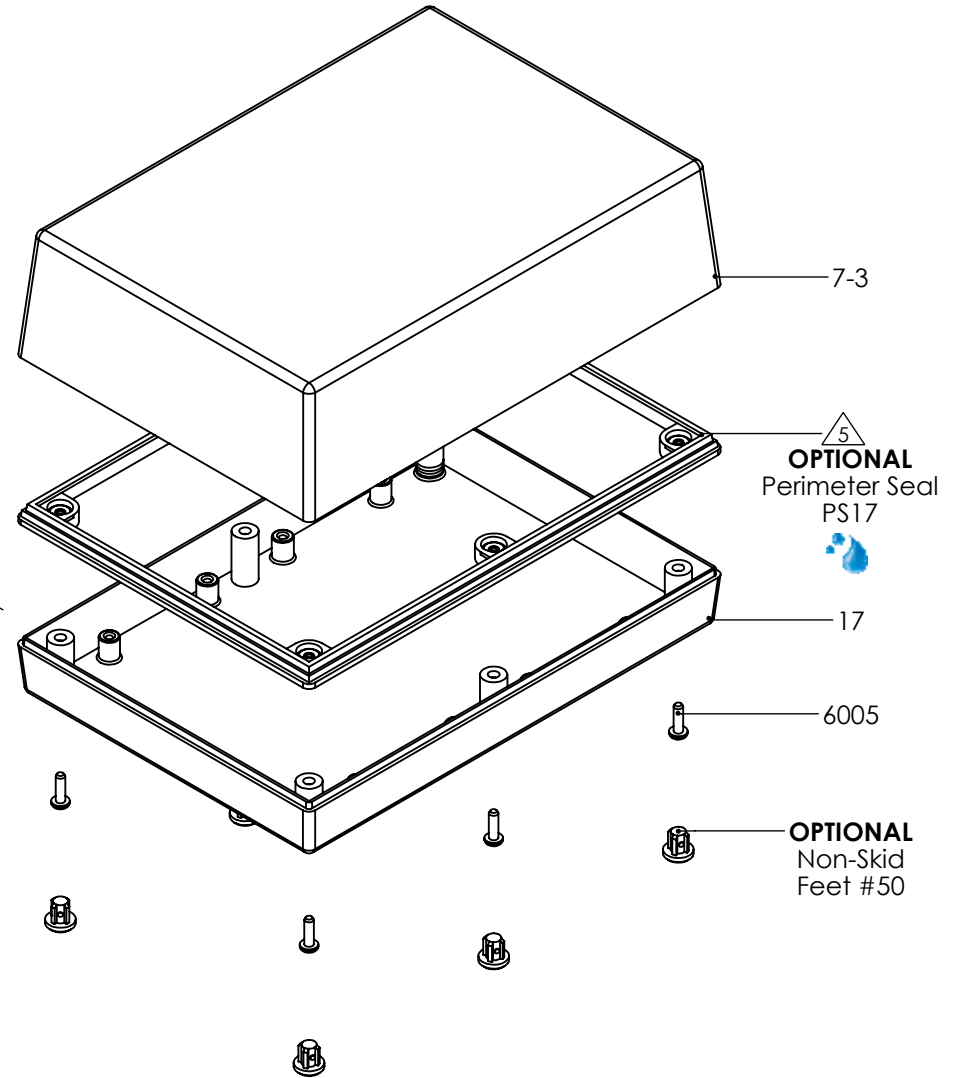
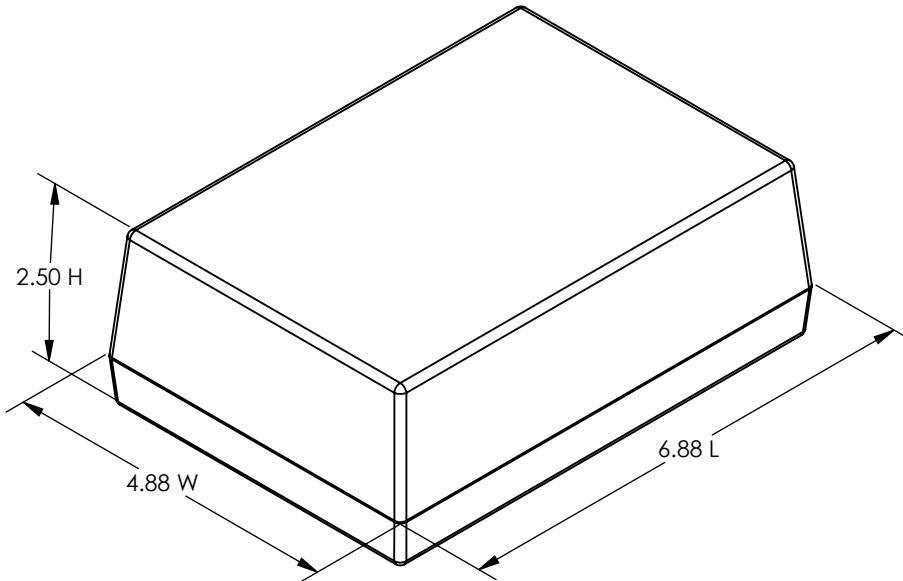


SERPAC 173

ELECTRONIC ENCLOSURES

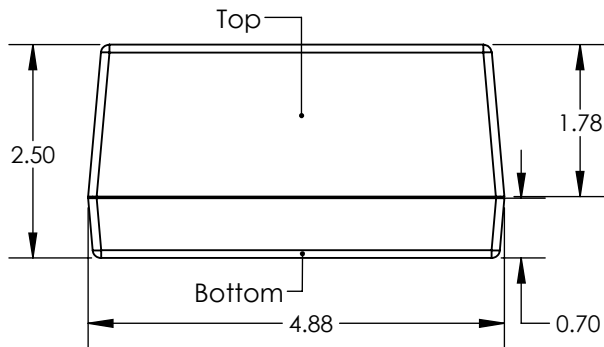
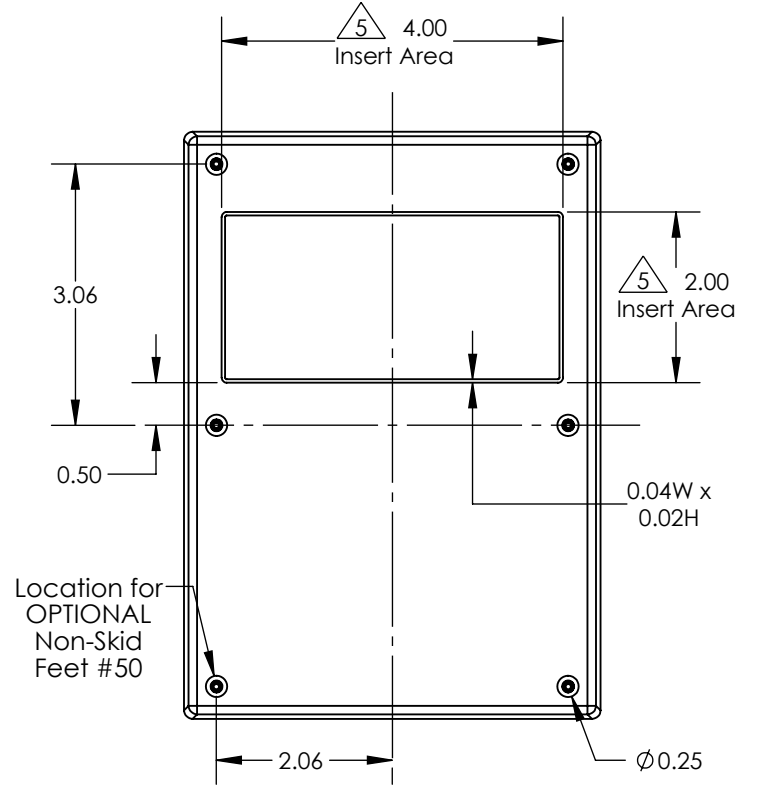
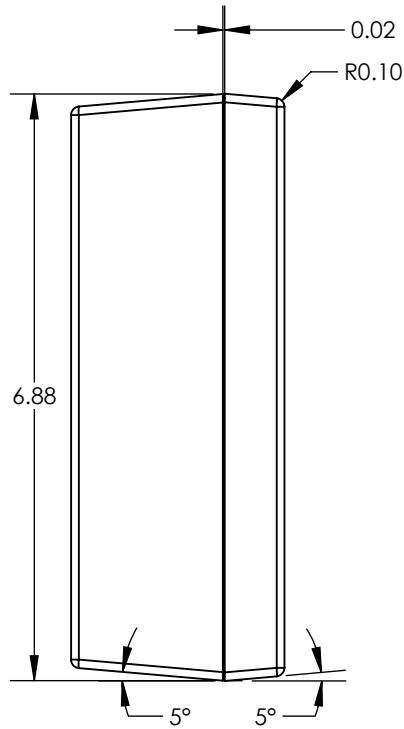
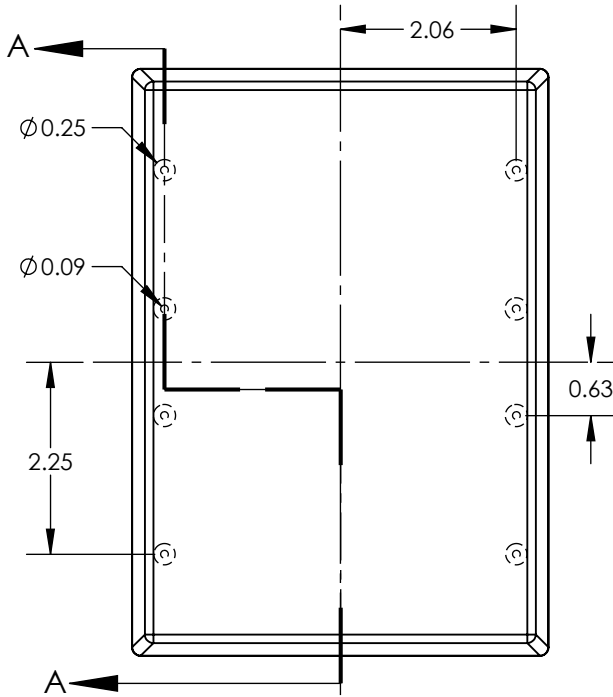


PART NO.	DESCRIPTION (Included)	ACCESSORIES (Optional)	
7-3	Top	PART NO.	DESCRIPTION
17	Bottom	PS17	Waterproof Perimeter Seal
6005	#4X3/8" Self-Tapping Screw (6)	1040	2AA Battery Holder
		50	Non-Skid Feet
		60	Standoff Hole
		61	Standoff Post

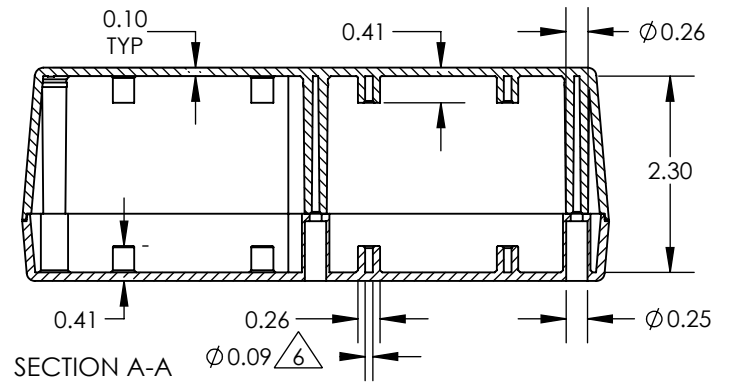
Notes: Enclosure weight .48 lb / 217 g
 1) Enclosure meets or exceeds IP40 and NEMA 1
 2) Circuit Board drawings see sheet 3.
 3) All components are RoHS Compliant.
 4) Material: Top and Bottom ABS.
 5) When used with PS17 the enclosure meets or exceeds IP 67 and NEMA 4X, 12 and 13 MIL-STD-810G 506.5 (.03 lb / 14g)

SERPAC 173

ELECTRONIC ENCLOSURES



- Notes:
- Enclosure weight .48 lb / 217 g
 - 1) Enclosure meets or exceeds IP40 and NEMA 1
 - 2) Circuit Board drawings see sheet 3.
 - 3) All components are RoHS Compliant.
 - 4) Material: Top and Bottom ABS.
 - 5) Customizable molding areas. $\triangle 5$
 - 6) PCB Bosses accept #4 self tapping screw. $\triangle 6$
 - 7) When used with PS17 the enclosure meets or exceeds IP 67 and NEMA 4X, 12 and 13 MIL-STD-810G 506.5 (.03 lb / 14g)



SERPAC 173 CIRCUIT BOARD

ELECTRONIC ENCLOSURES

Top & Bottom Option

