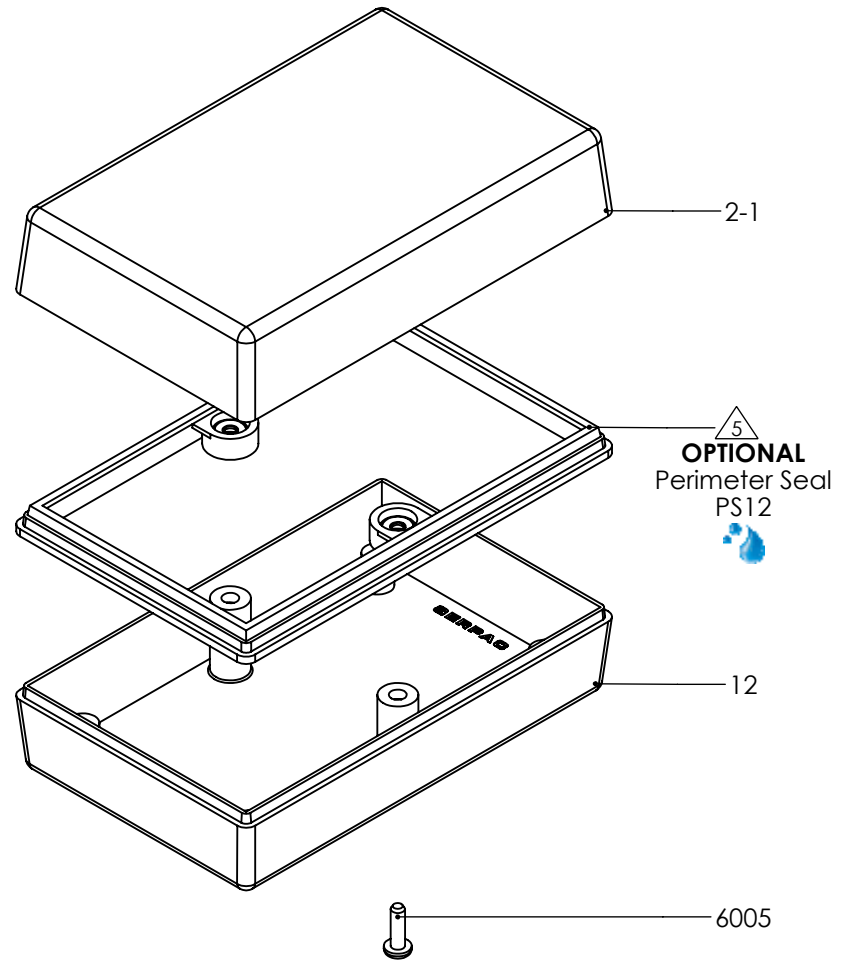
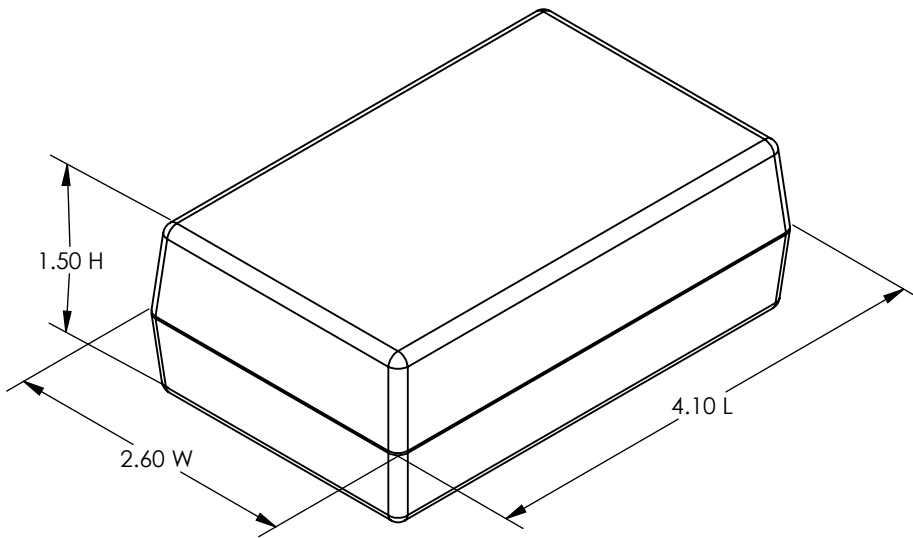


SERPAC 121

ELECTRONIC ENCLOSURES



PART NO.	DESCRIPTION (Included)	ACCESSORIES (Optional)	
2-1	Top	PART NO.	DESCRIPTION
12	Bottom	PS12	Waterproof Perimeter Seal
6005	#4X3/8" Self-Tapping Screw (2)	1030	Pocket Clip
		55	Key Holder
		60	Standoff Hole
		61	Standoff Post

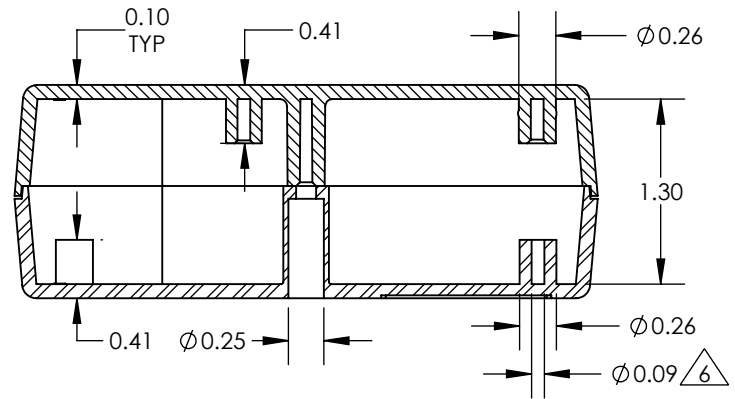
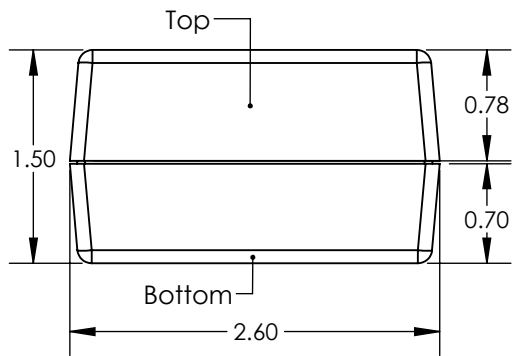
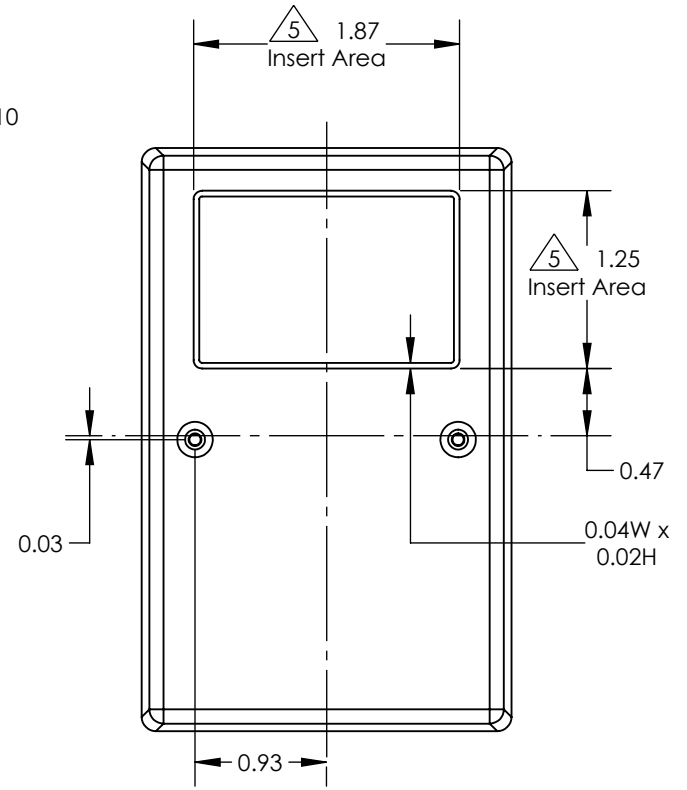
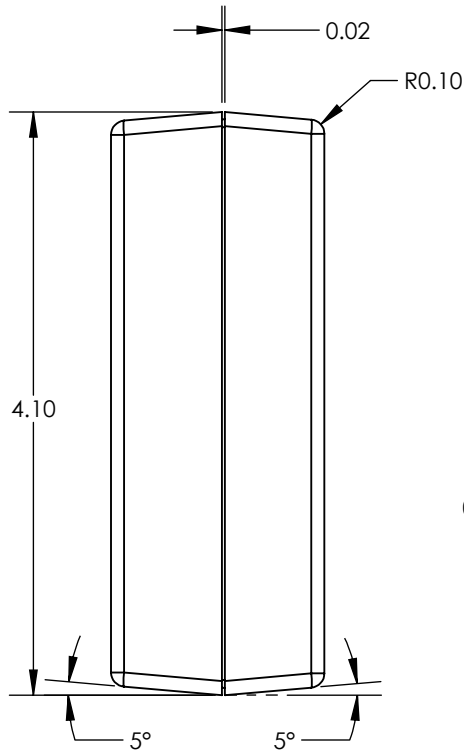
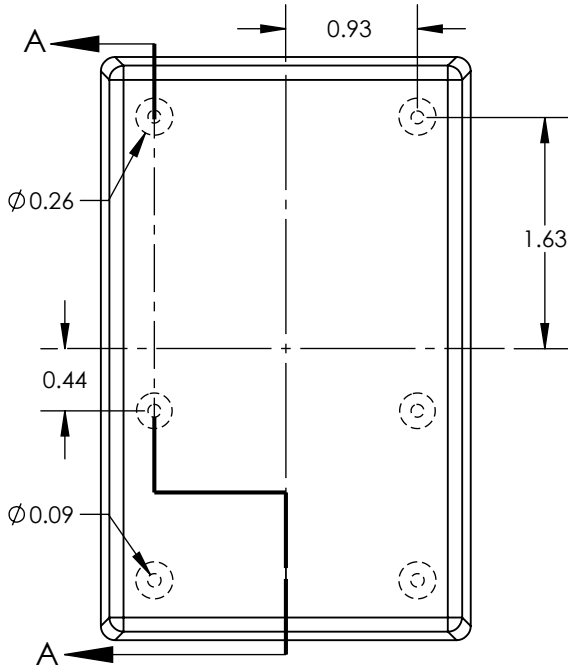
Notes: Enclosure weight .15 lb / 68 g

- 1) Enclosure meets or exceeds IP40 and NEMA 1
- 2) Circuit Board drawings see sheet 3.
- 3) All components are RoHS Compliant.
- 4) Material: Top and Bottom ABS.
- 5) When used with PS12 the enclosure meets or exceeds IP 67 and NEMA 4X, 12 and 13 MIL-STD-810G 506.5 (.02 lb / 7g)



SERPAC 121

ELECTRONIC ENCLOSURES



SECTION A-A

- Notes: Enclosure weight .15 lb / 68 g
- 1) Enclosure meets or exceeds IP40 and NEMA 1
 - 2) Circuit Board drawings see sheet 3.
 - 3) All components are RoHS Compliant.
 - 4) Material: Top and Bottom ABS.
 - 5) Customizable molding areas. $\triangle 5$
 - 6) PCB Bosses accept #4 self tapping screw. $\triangle 6$
 - 7) When used with PS12 the enclosure meets or exceeds IP 67 and NEMA 4X, 12 and 13 MIL-STD-810G 506.5 (.02 lb / 7g)

SERPAC 121 CIRCUIT BOARD

ELECTRONIC ENCLOSURES

Top & Bottom Option

