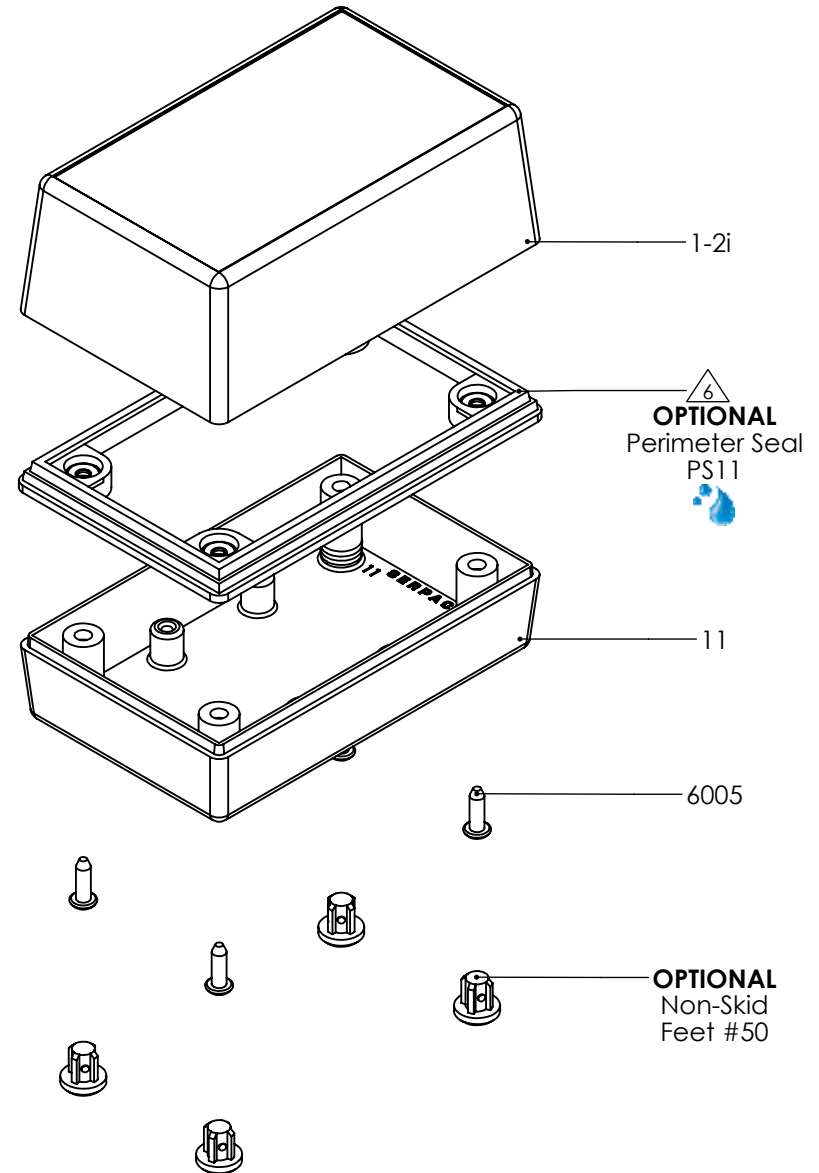
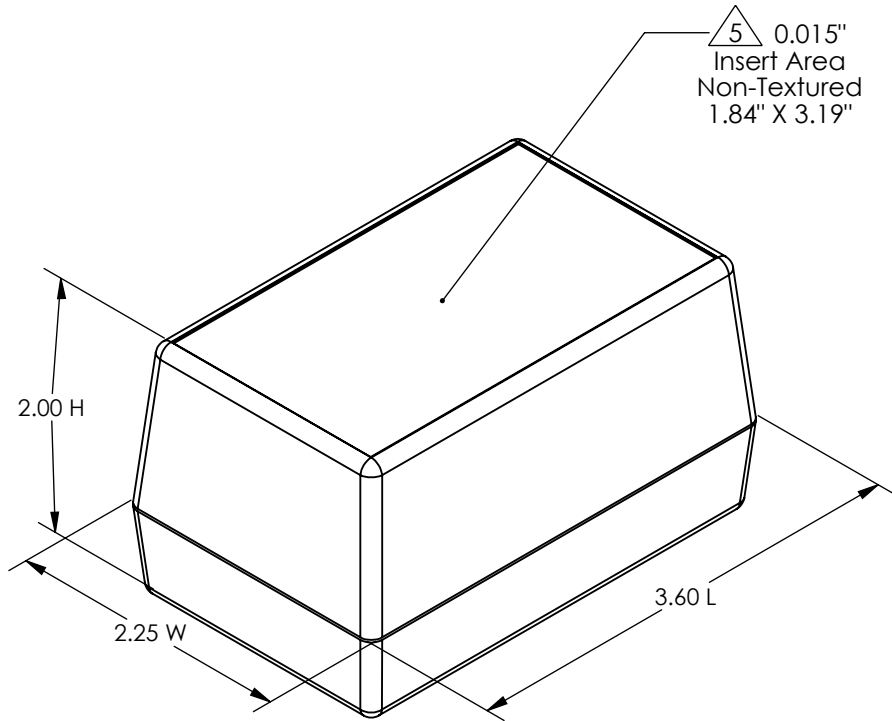


# SERPAC 112i

ELECTRONIC ENCLOSURES



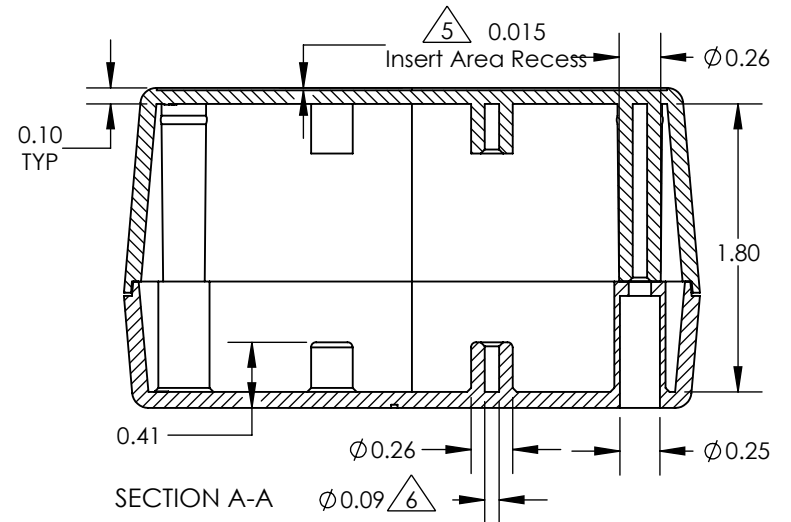
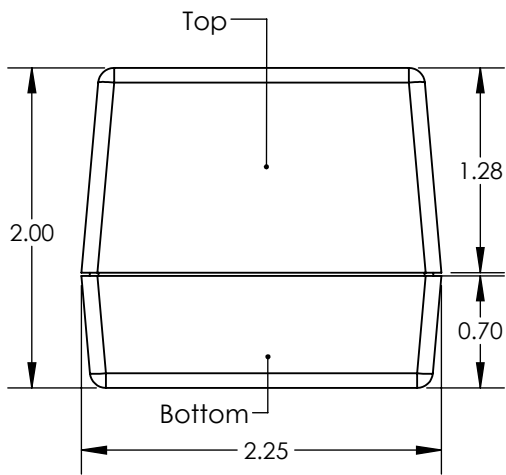
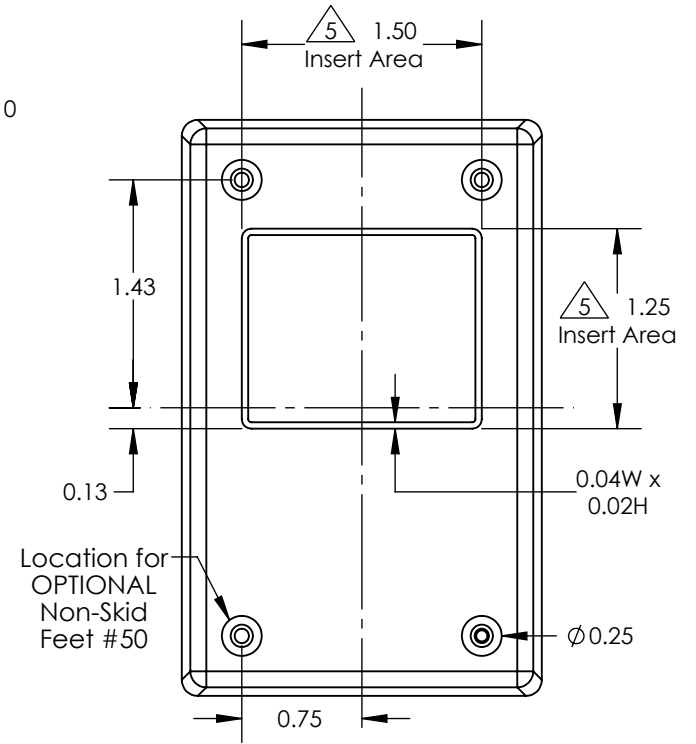
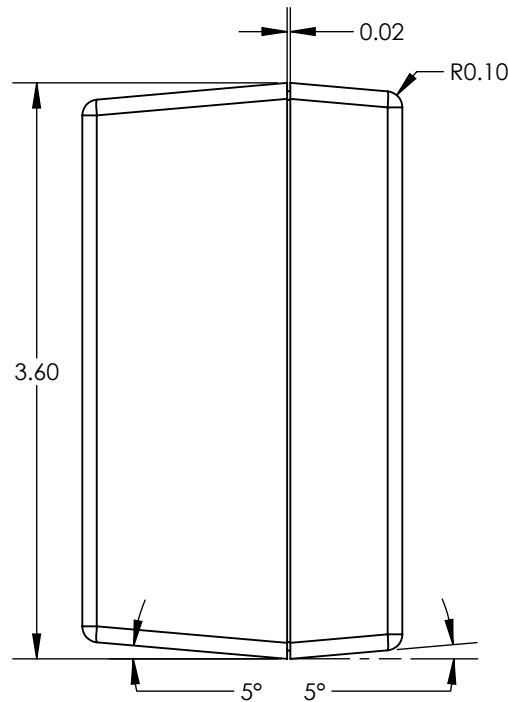
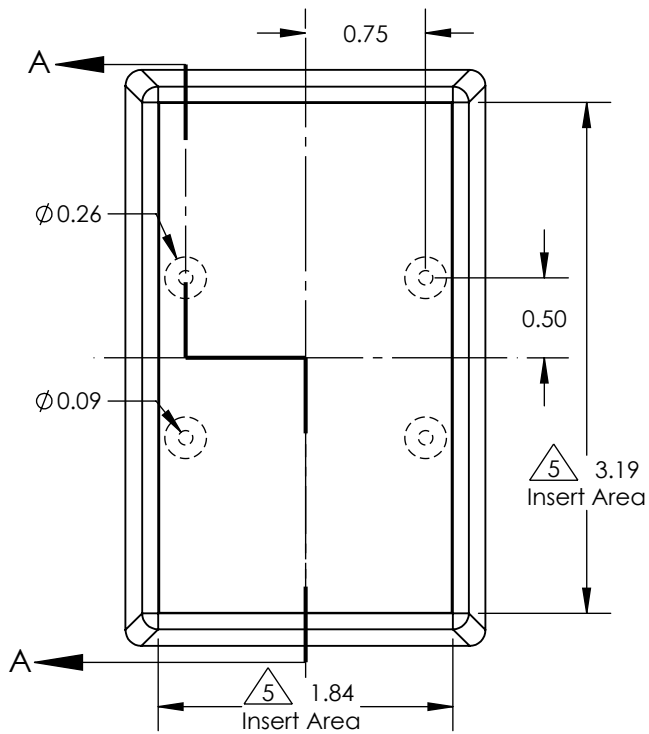
PART NO.	DESCRIPTION (Included)	ACCESSORIES (Optional)	
1-2i	Top	PART NO.	DESCRIPTION
11	Bottom	50	Non-skid Feet
6005	#4X3/8" Self-Tapping Screw (4)	PS11	Waterproof Perimeter Seal
		1030	Pocket Clip
		1040	2AA Battery Holder
		55	Key Holder
		60	Standoff Hole
		61	Standoff Post

Notes: Enclosure weight .16 lb / 74 g

- 1) Enclosure meets or exceeds IP40 and NEMA 1
- 2) Circuit Board drawings see sheet 3.
- 3) All components are RoHS Compliant.
- 4) Material: Top and Bottom ABS.
- 5) Customizable molding areas.
- 6) When used with PS11 the enclosure meets or exceeds IP 67 and NEMA 4X, 12 and 13 MIL-STD-810G 506.5 (.01 lb / 7g)

# SERPAC 112i

ELECTRONIC ENCLOSURES



- Notes: Enclosure weight .16 lb / 74 g
- 1) Enclosure meets or exceeds IP40 and NEMA 1
  - 2) Circuit Board drawings see sheet 3.
  - 3) All components are RoHS Compliant.
  - 4) Material: Top and Bottom ABS.
  - 5) Customizable molding areas.  $\triangle 5$
  - 6) PCB Bosses accept #4 self tapping screw.  $\triangle 6$
  - 7) When used with PS11 the enclosure meets or exceeds IP 67 and NEMA 4X, 12 and 13 MIL-STD-810G 506.5 (.01 lb / 7g)

# SERPAC 112i CIRCUIT BOARD

ELECTRONIC ENCLOSURES

## Top & Bottom Option

