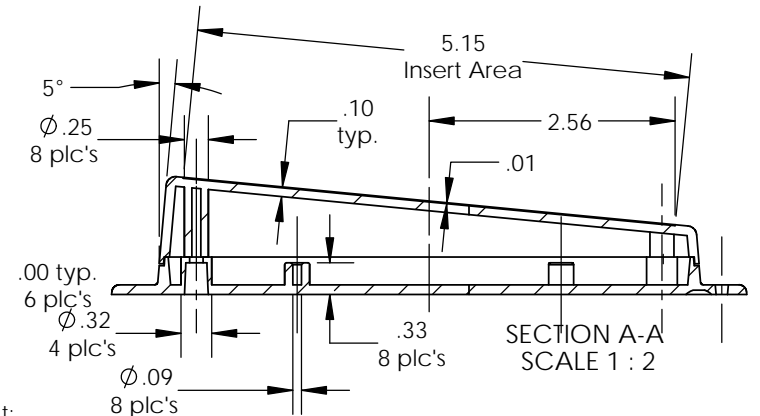
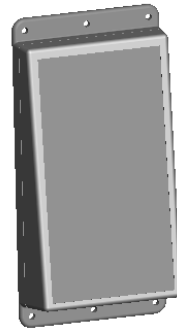
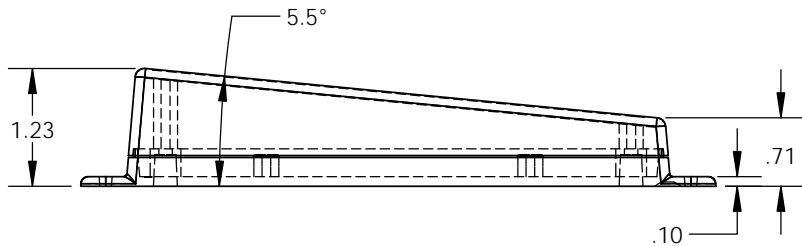
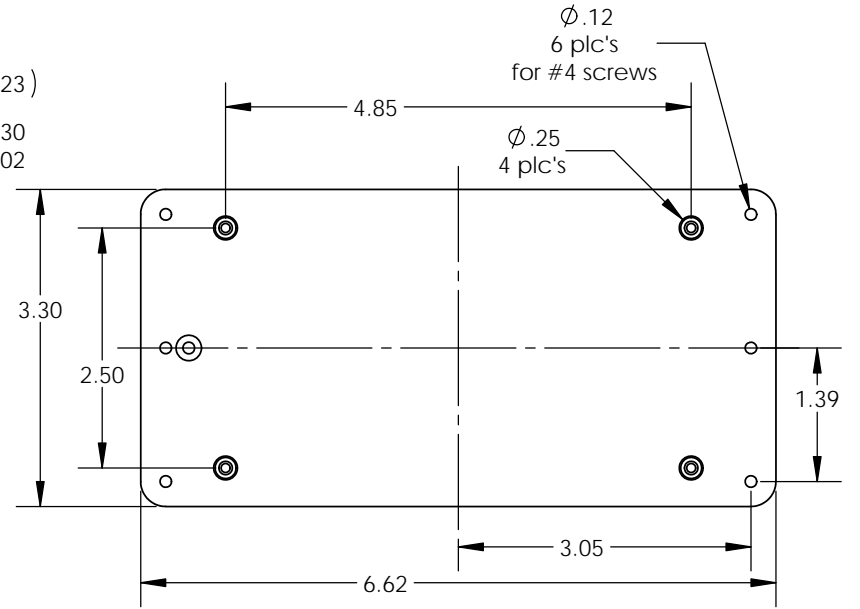
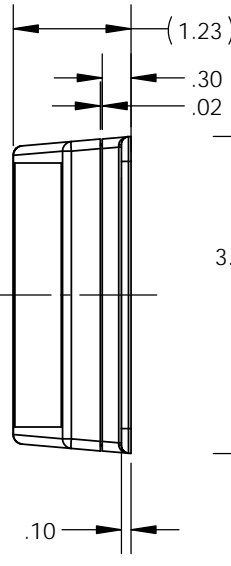
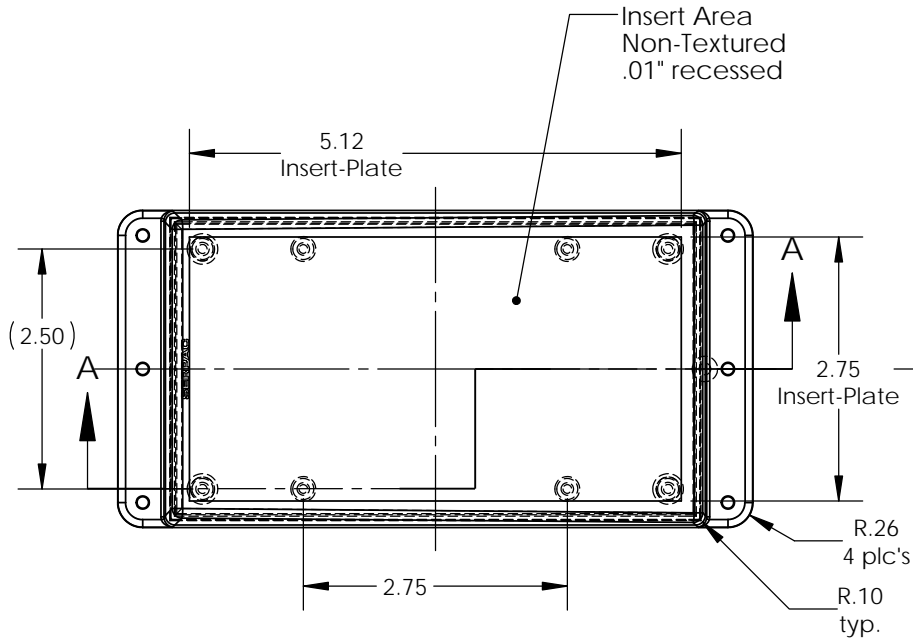


SERPAC WM05S (user print)

Electronic Enclosures



PART NO.	DESCRIPTION (Included)	ACCESSORIES (Optional)	
5-S	TOP	PART NO.	DESCRIPTION
WM05	BOTTOM		
6005	#4 self tapping screw (4)		

Notes:

- 1) Enclosure meets or exceeds IP40 and NEMA 1
- 2) Circuit Board drawings (bottom only) can be download at: <http://www.serpac.com/Accessories/CircuitBoard/drawings/370-470.pdf>
- 3) All components are RoHS Compliant.

ALL DIMENSIONS ARE ± .010" 12/27/11
 2009 Wright Ave. La Verne, CA 91750
 Ph. (626) 331-0517 Fx. (626) 331-8584 www.serpac.com