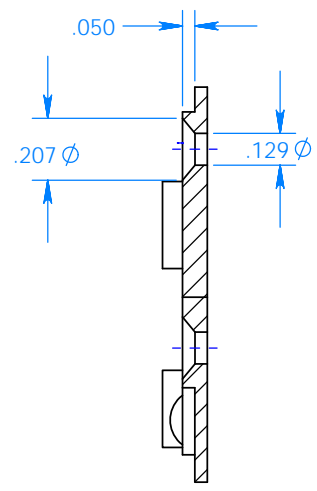
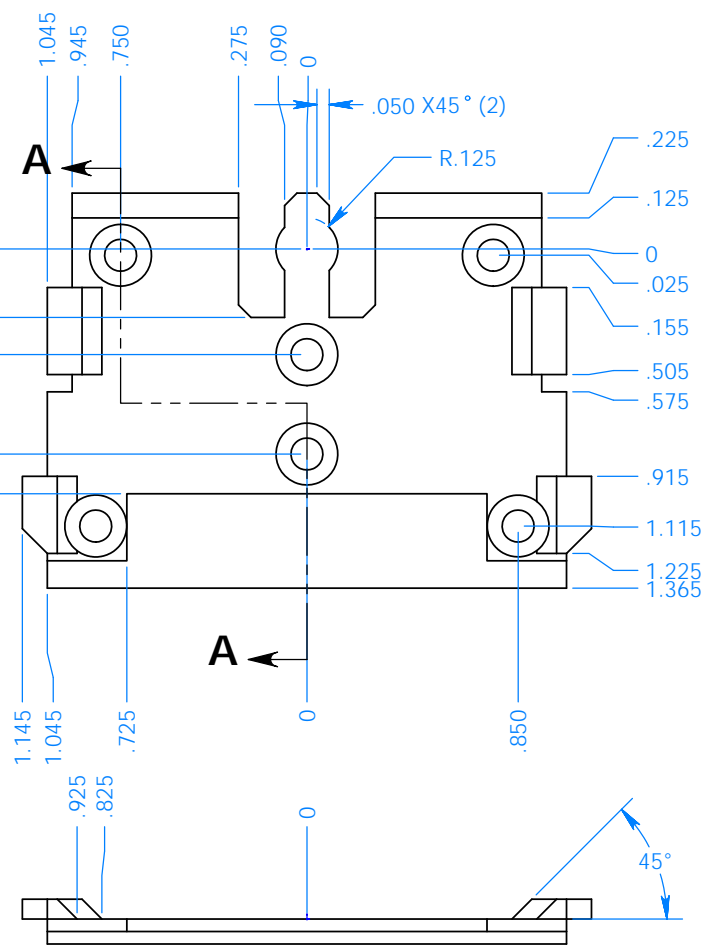
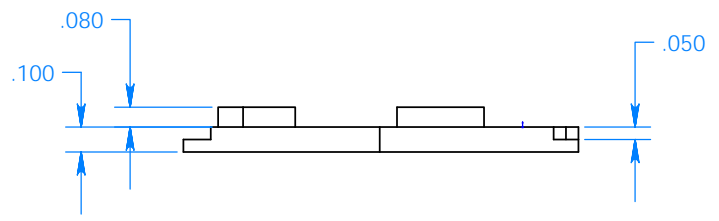


THE INFORMATION CONTAINED IN THIS DRAWING IS THE SOLE PROPERTY OF SERPAC. ANY REPRODUCTION IN PART OR WHOLE WITHOUT WRITTEN PERMISSION SERPAC IS PROHIBITED.

No.	Revision	Date
A		



SECTION A-A



NOTES :
MATERIAL :ABS

UNLESS OTHERWISE SPECIFIED DIMENSIONS ARE IN INCHES.		CAD GENERATED DRAWING. DO NOT MANUALLY UPDATE		SERPAC COVINA, CA 91723 (628) 331-0517	
TOLERANCES ARE: FRACTIONS DECIMALS ANGLES ± 1/64" .XX .XXX ± 1/2° ± .01 ± .005		APPROVALS	DATE	DESCRIPTION	
DRAWN	FV	10/02	10/02	Wall Mount Plate	
CHECKED	FV			Part No.	REV.
DO NOT SCALE DRAWING	ITEM #	PAPER SIZE	SCALE	WMP B	A
			SCALE 2:1	CAD FILE 1033 WALL-MOUNT.PLT	SHEET 1 OF 1