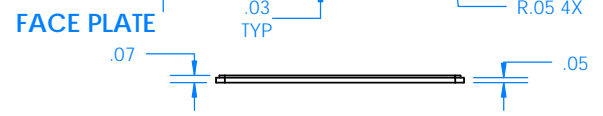
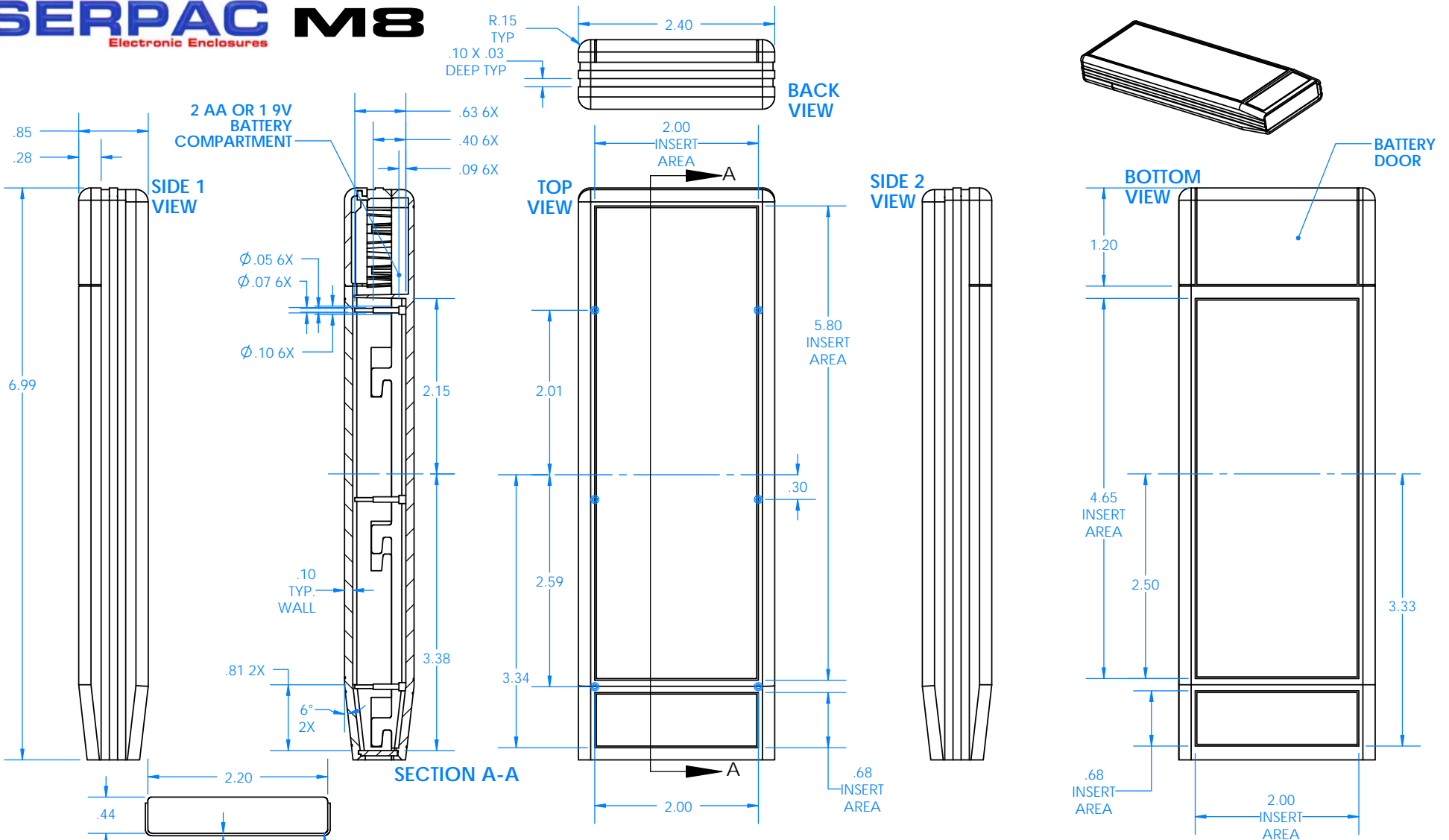
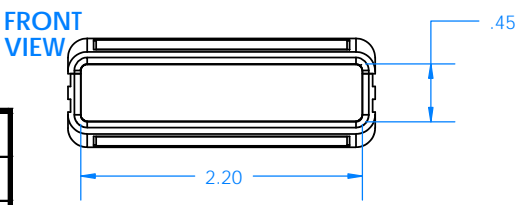


SERPAC M8

Electronic Enclosures



| PART NO. | DESCRIPTION (Included) | ACCESSORIES (Optional) | |
|----------|------------------------|------------------------|-----------------------|
| PART NO. | DESCRIPTION | PART NO. | DESCRIPTION |
| 4009 | TOP | 4008CL | CLEAR FACE PLATE |
| 4010 | BOTTOM | 4008IR | INFRARED FACE PLATE |
| 4007 | BATTERY COVER | 4008R | CLEAR READ FACE PLATE |
| 72 | BATTERY CLIP (single) | 1030 | POCKET CLIP |
| 73 | BATTERY CLIP (double) | | |
| 6003 | #2 X .5" SCREWS (2) | | |
| 4013 | 9V INSERT (spacer) | | |



Notes: Enclosure weight .099 lbs / 45 gm
 1) Enclosure meets or exceeds IP40 and NEMA 1
 2) All components are RoHS Compliant.
 3) Circuit Board drawings can be download at: www.Serpac.com Accessories page.

