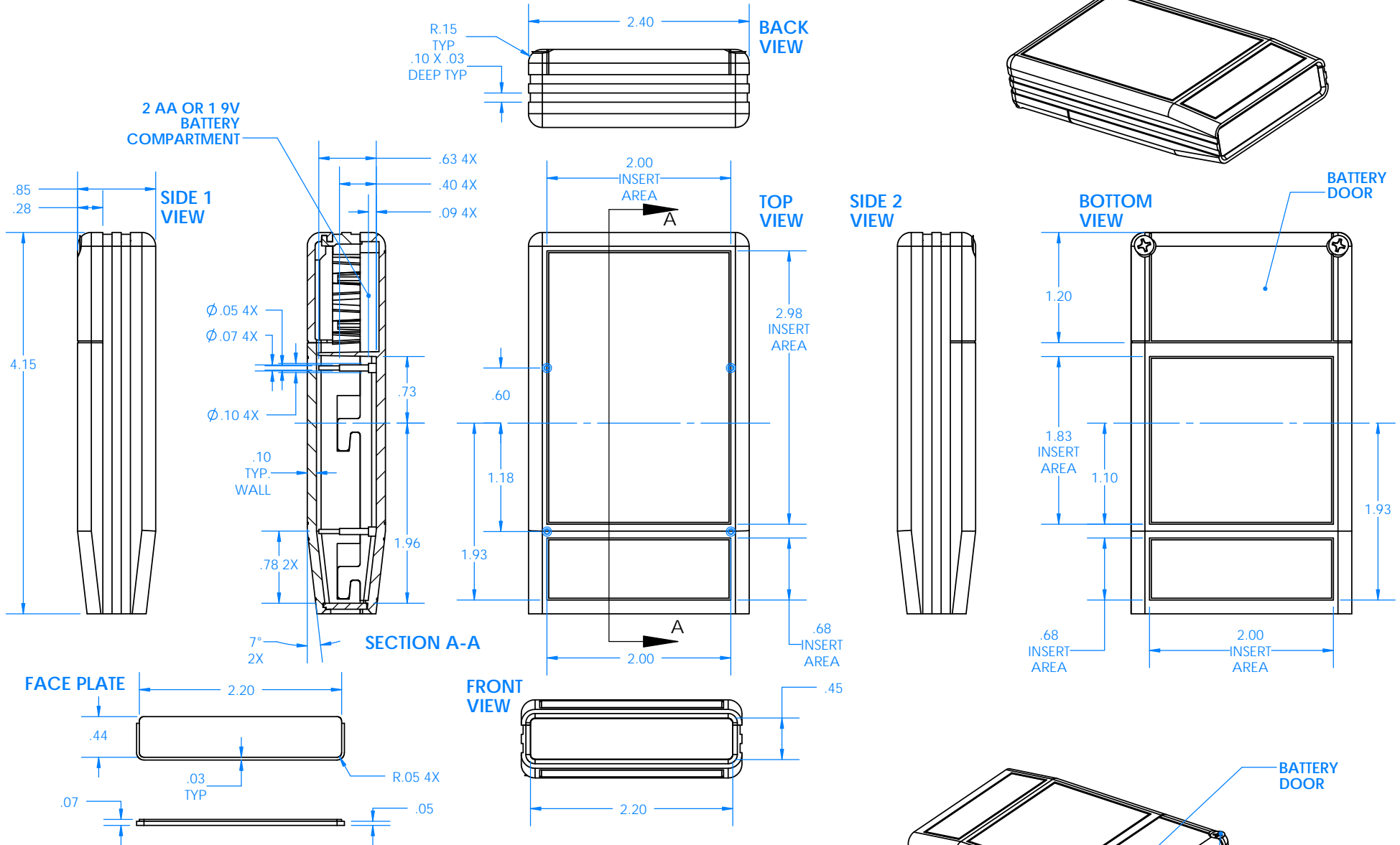


# SERPAC M6IND

Electronic Enclosures



PART NO.	DESCRIPTION (Included)	ACCESSORIES (Optional)	
4005	TOP	PART NO.	DESCRIPTION
4006	BOTTOM	4008CL	CLEAR FACE PLATE
4007	BATTERY COVER	4008IR	INFRARED FACE PLATE
4008	FACE PLATE	4008R	CLEAR READ FACE PLATE
72	BATTERY CLIP (single)	1030	POCKET CLIP
73	BATTERY CLIP (double)		
6007	#2 X .75" SCREWS (2)		

Notes:  
 Enclosure weight .104 lbs / 47 gm  
 1) Enclosure meets or exceeds IP40 and NEMA 1  
 2) All components are RoHS Compliant.  
 3) Circuit Board drawings can be download at:  
[www.Serpac.com](http://www.Serpac.com) Accessories page.

ALL DIMENSIONS ARE ± .010"  
 2/5/2014  
 2009 Wright Ave. La Verne, CA 91750  
 Ph. (626) 331-0517 Fx. (626) 331-8584 [serpac.com](http://serpac.com)