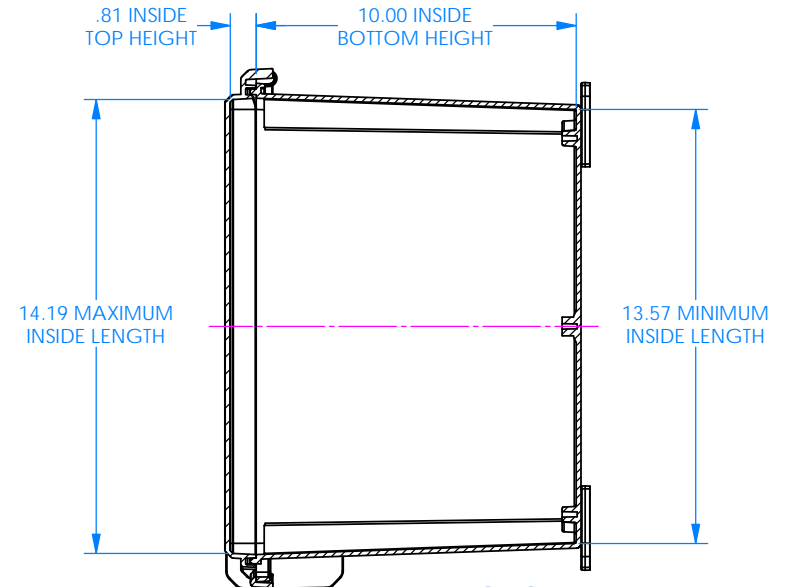
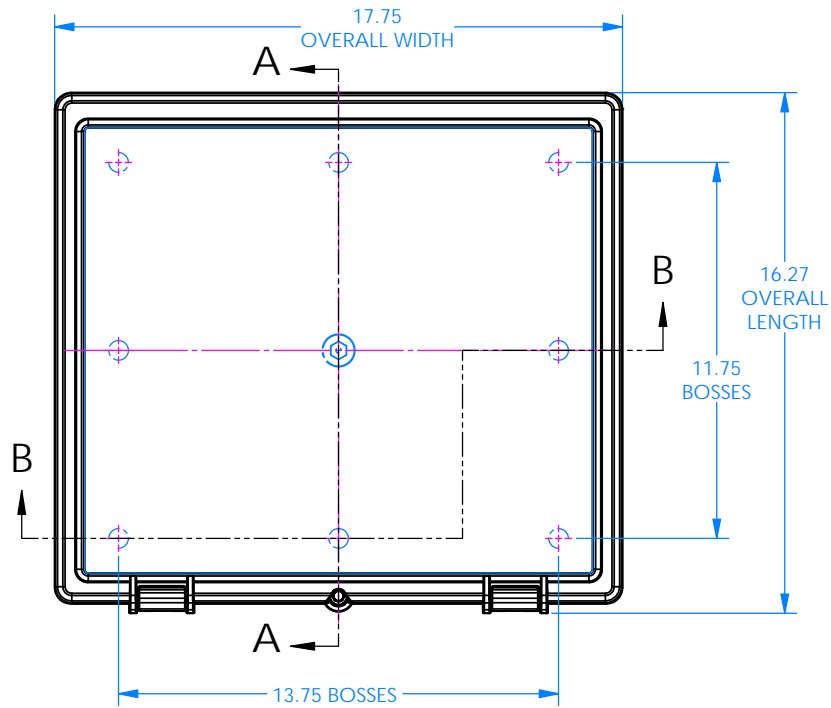


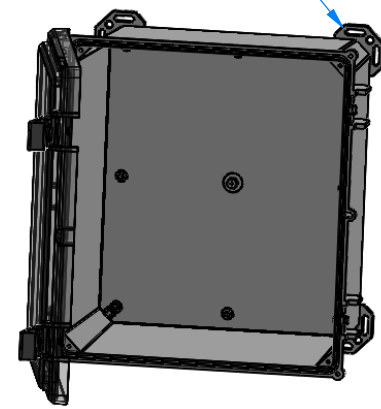
# SERPAC I652HL

Electronic Enclosures

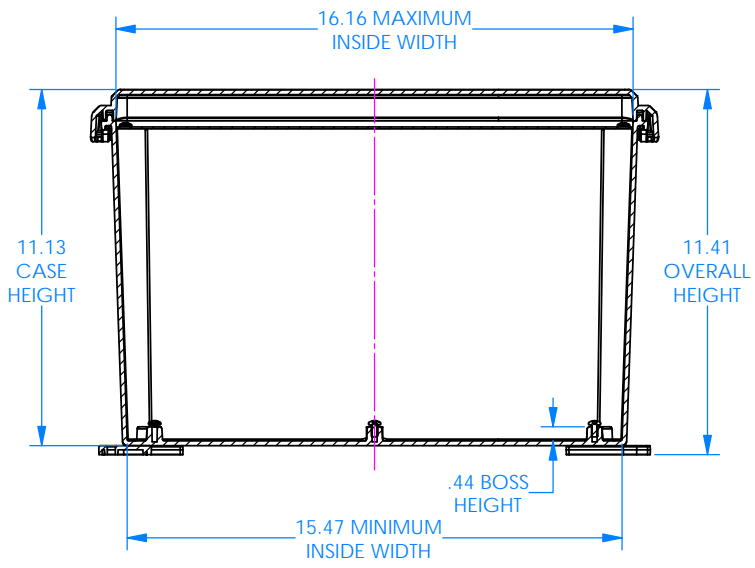


SECTION A-A

4 Mounting Brackets included. See Sheet 2 for dimensions.



Aluminum Panel Kits are available as options, see sheets 3-5. The aluminum panel options are:  
 Bottom Panel Kit p/n 73000B  
 Top Panel Kit p/n 73040T  
 Hinged Panel Kit p/n 73020TH



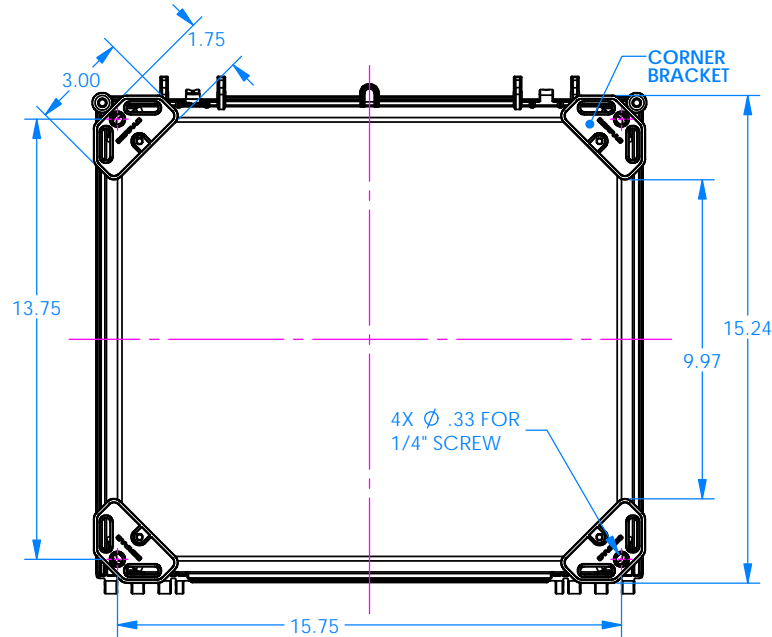
SECTION B-B

Material: UV stabilized Polycarbonate  
 Flammability UL 94 V-2  
 -Watertight enclosure meets or exceeds Nema 4 and or IP67.

PARTS INCLUDED		
P/N	Qty.	Description
I650 HLT	1	I650HL Top
I650 HLB	1	I650HL Bottom
8650	1	650 Perimeter O-ring
7011M	2	I-Series Safety Latch
1355	4	Corner Mounting Bracket
6028	9	SS #10 X 5/8" Pan H/L

## I652HL Mounting Bracket Dimensions

TOP & LATCHES REMOVED  
FOR CLARITY FROM ALL VIEWS

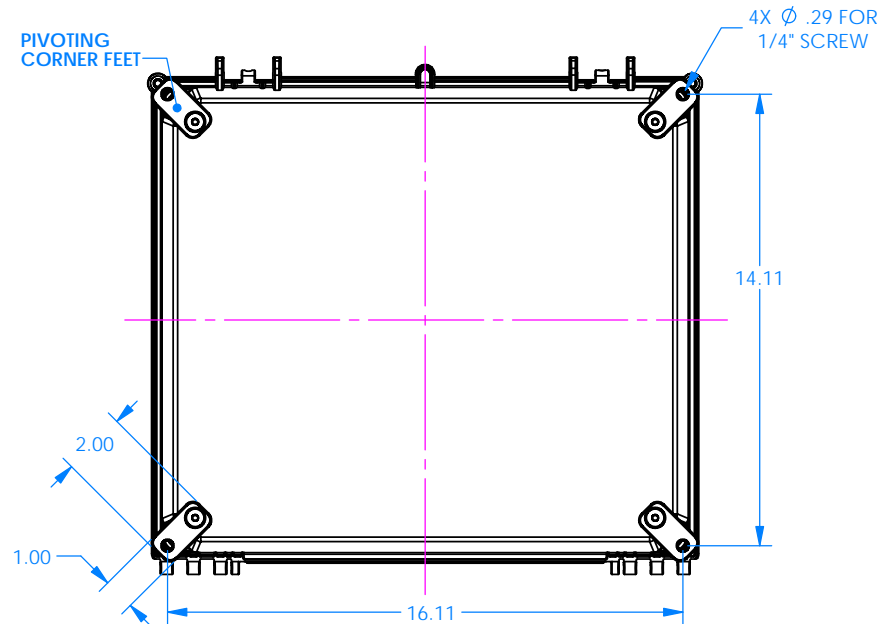


INCLUDED (4)  
CORNER BRACKETS

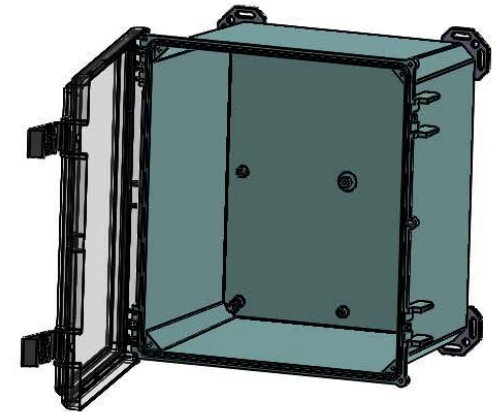
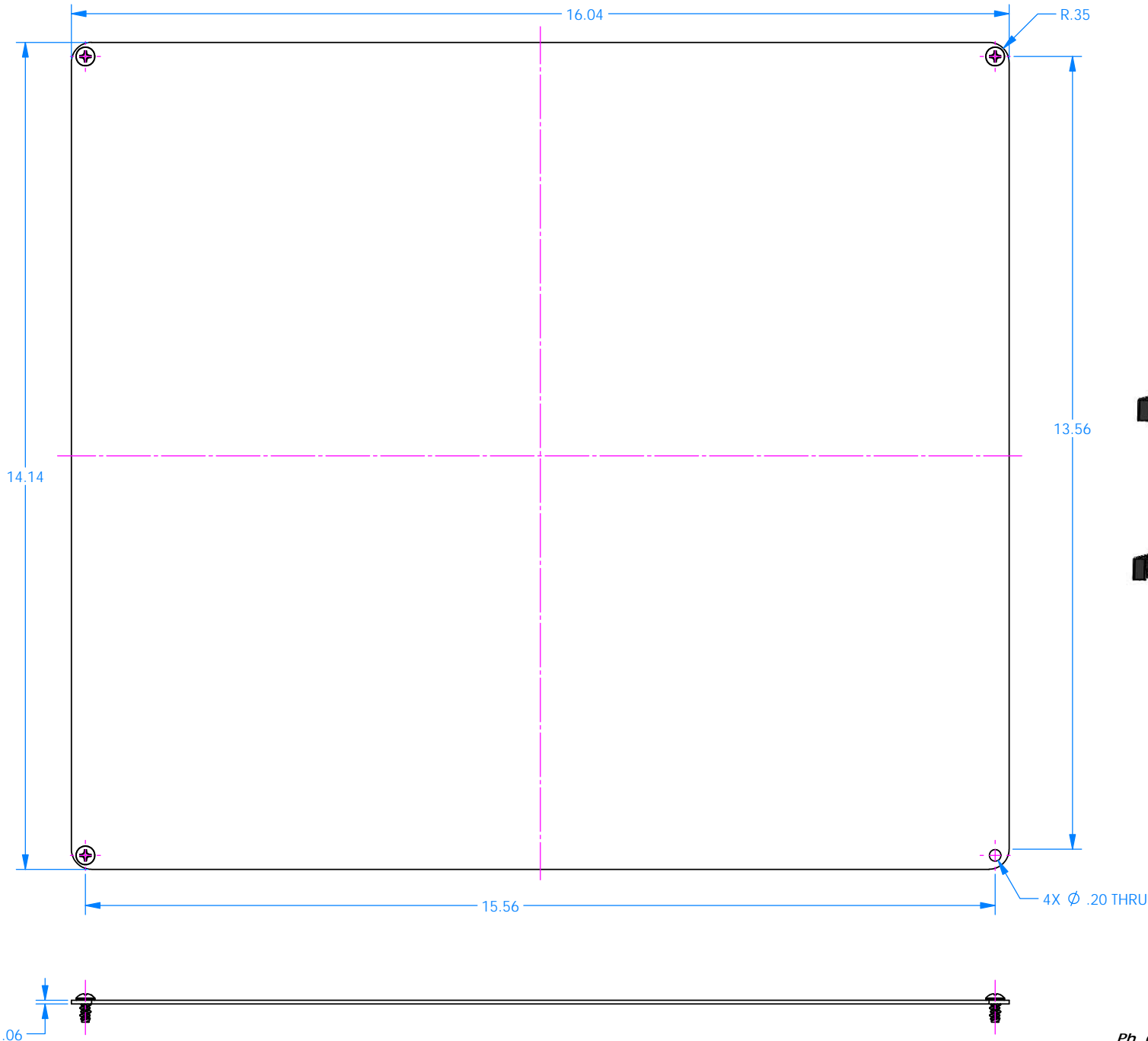
PARTS INCLUDED		
P/N	Qty.	Description
1355	4	Mounting Corner Bracket
6028	4	SS #10 X 5/8" Pan Combo H/L Screw

OPTIONAL CORNER FEET

PARTS INCLUDED		
P/N	Qty.	Description
1306	4	Mounting Corner Feet
6028	4	SS #10 X 5/8" Pan Combo H/L Screw

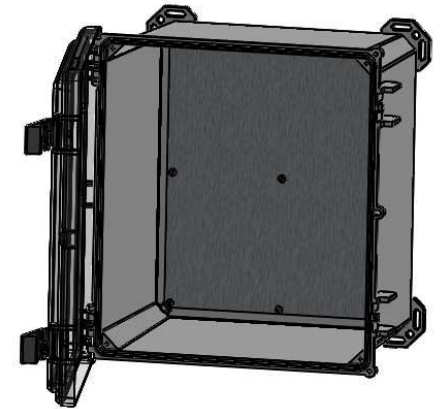
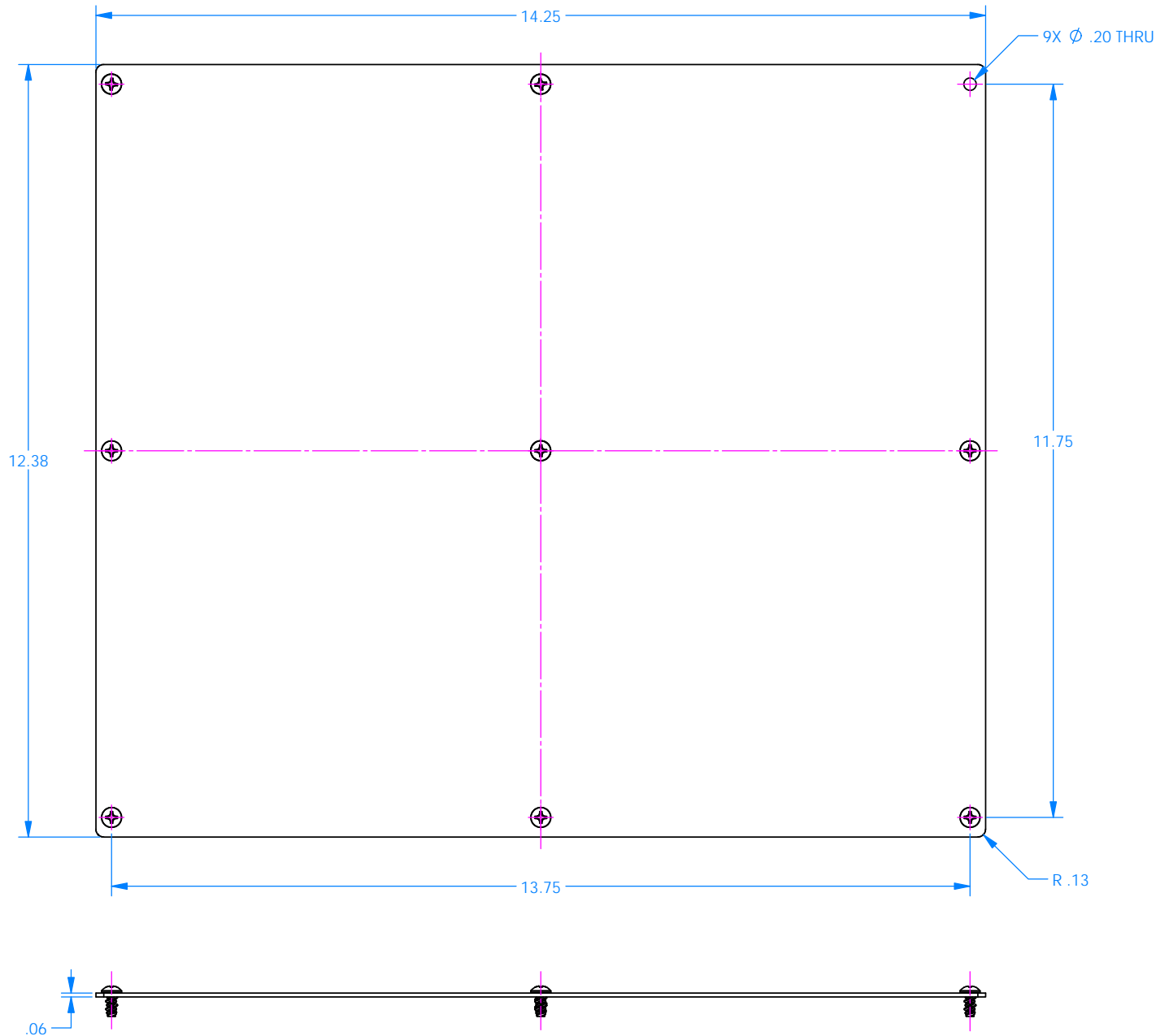


# 7300T Top Panel Kit for I652HL



OPTIONAL ACCESSORY

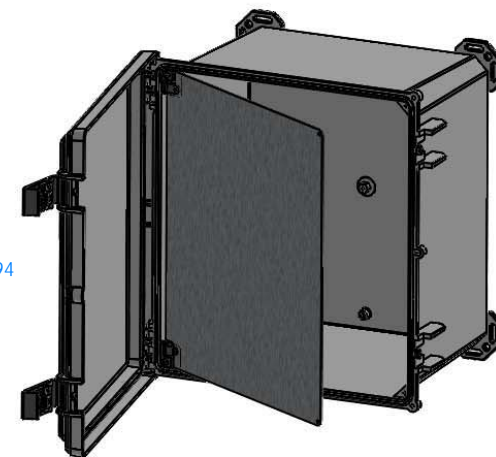
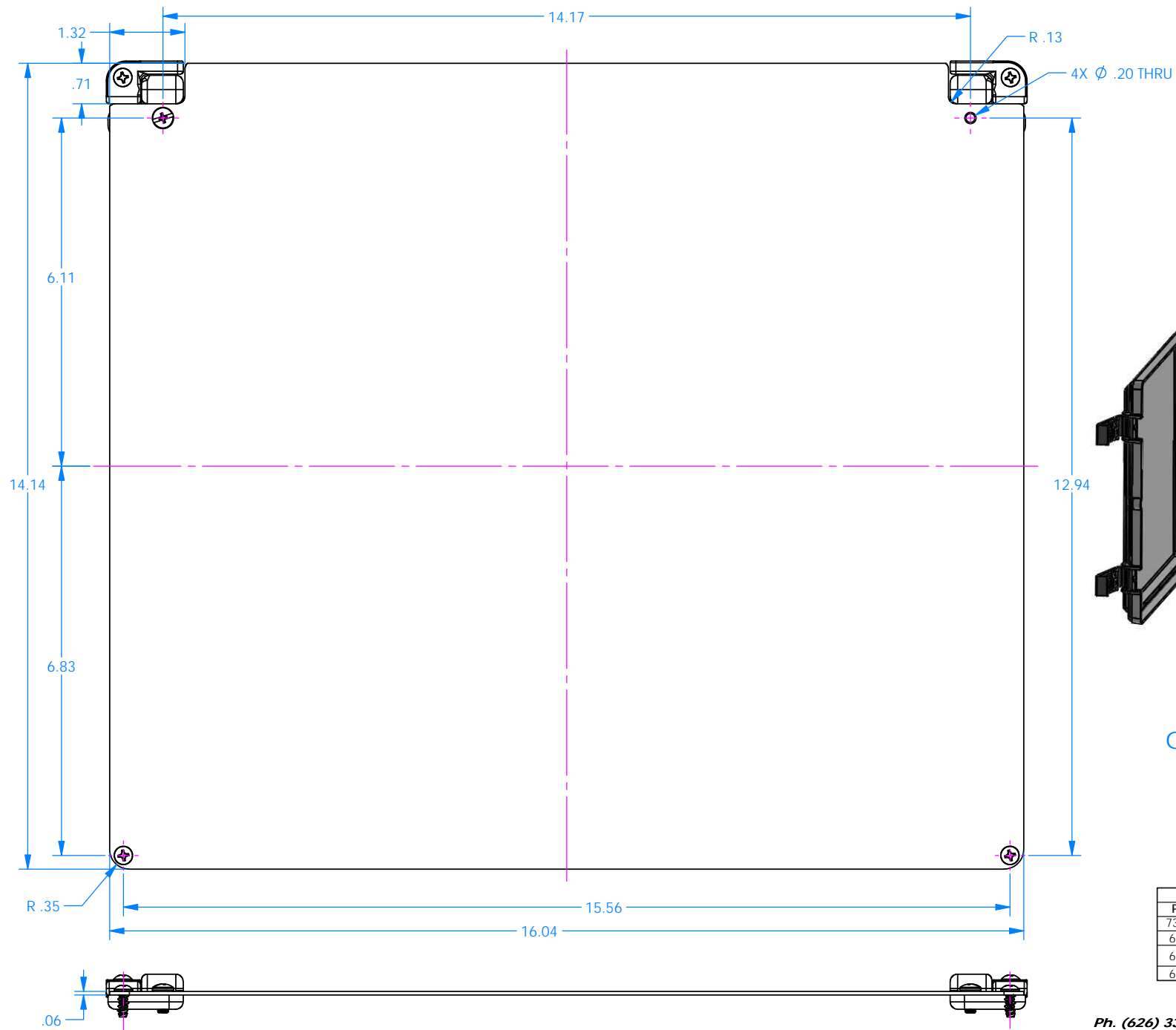
PARTS INCLUDED		
P/N	Qty.	Description
73040	1	Top Aluminum Panel
6029	4	SS #10 X 3/8" Pan HL Screw



OPTIONAL ACCESSORY

PARTS INCLUDED		
P/N	Qty.	Description
73000	1	Bottom Aluminum Panel
6029	9	SS #10 X 3/8" Pan HL Screw

## 7300TH Hinged Top Panel Kit for I652HL



OPTIONAL ACCESSORY

PARTS INCLUDED		
P/N	Qty.	Description
73020	1	Hinged Top Aluminum Panel
6029	2	SS #10 X 3/8" Pan HL Screw
6030	2	SS #10 X 3/8" Pan Combo H/L Screw
6105	2	SS #10-32 X1/8" Nut