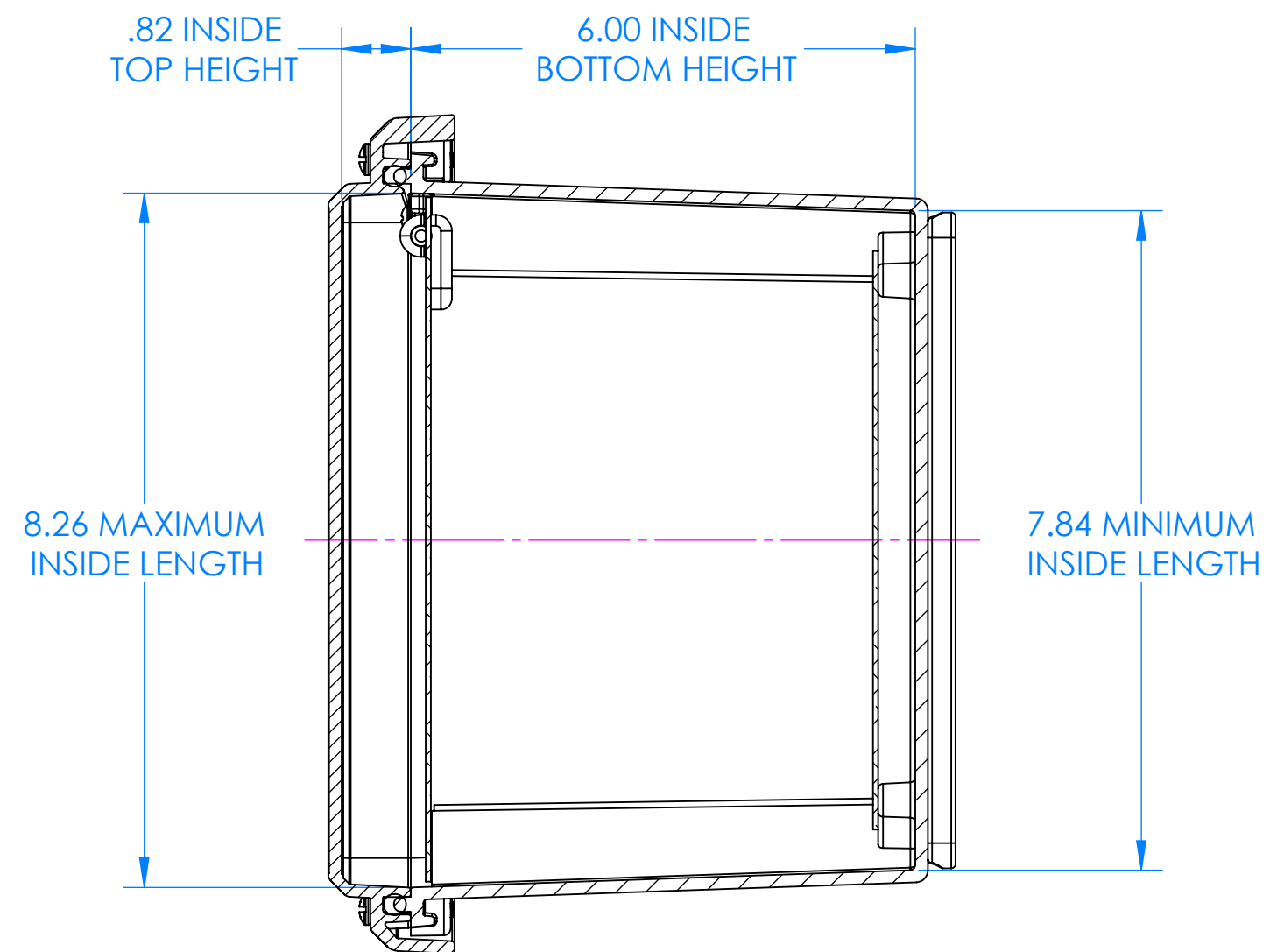
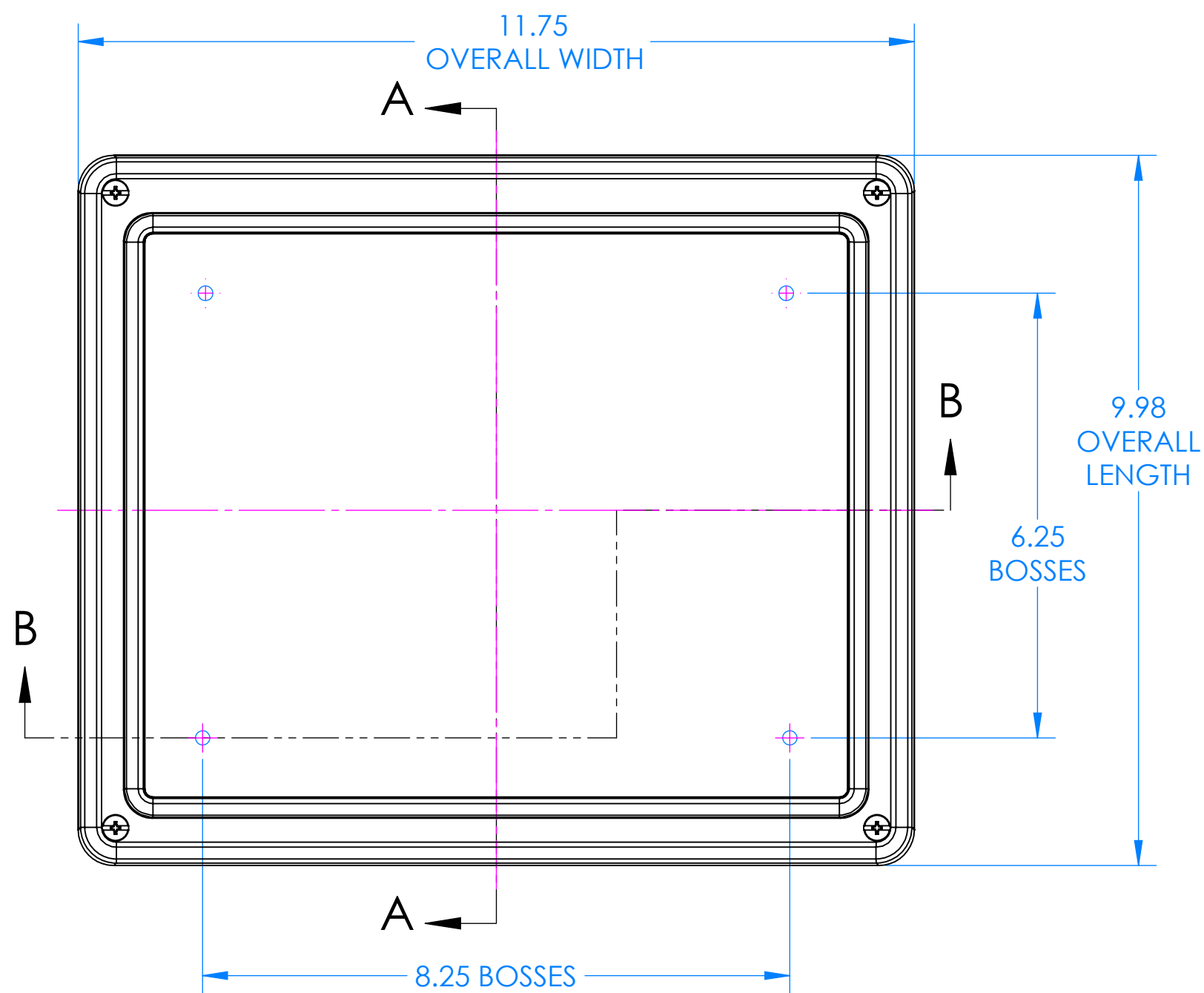
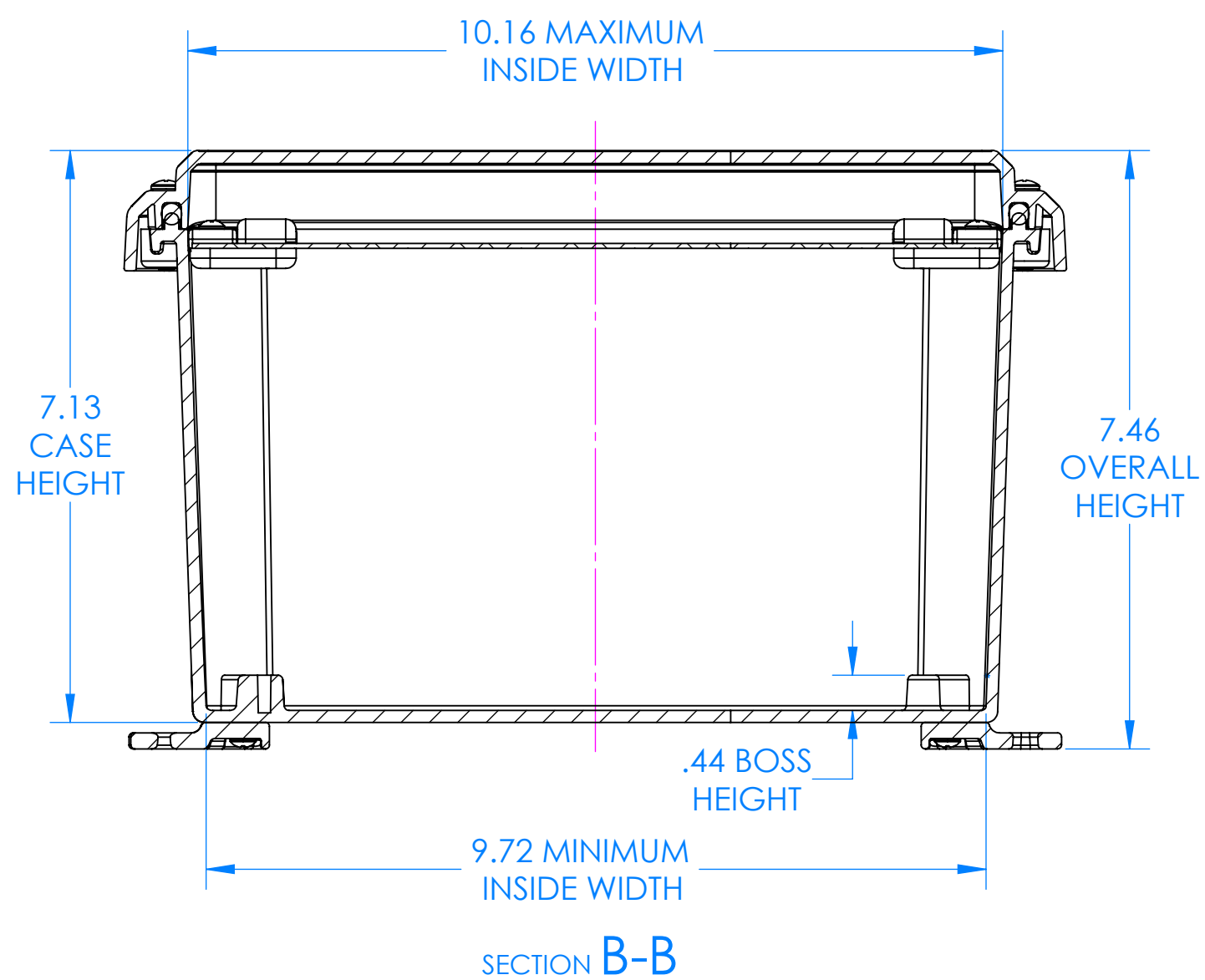


SERPAC I352S

Electronic Enclosures



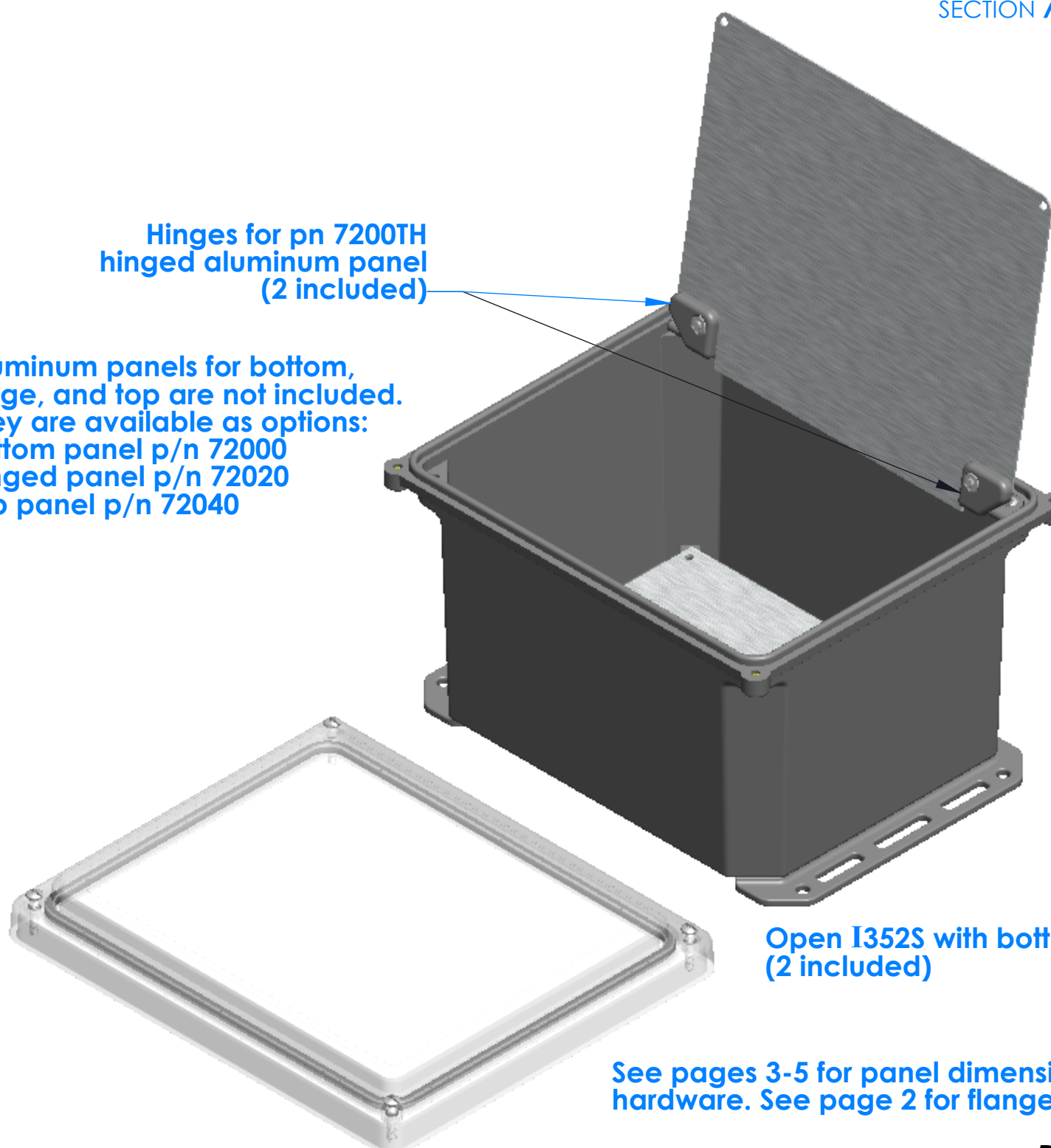
SECTION A-A



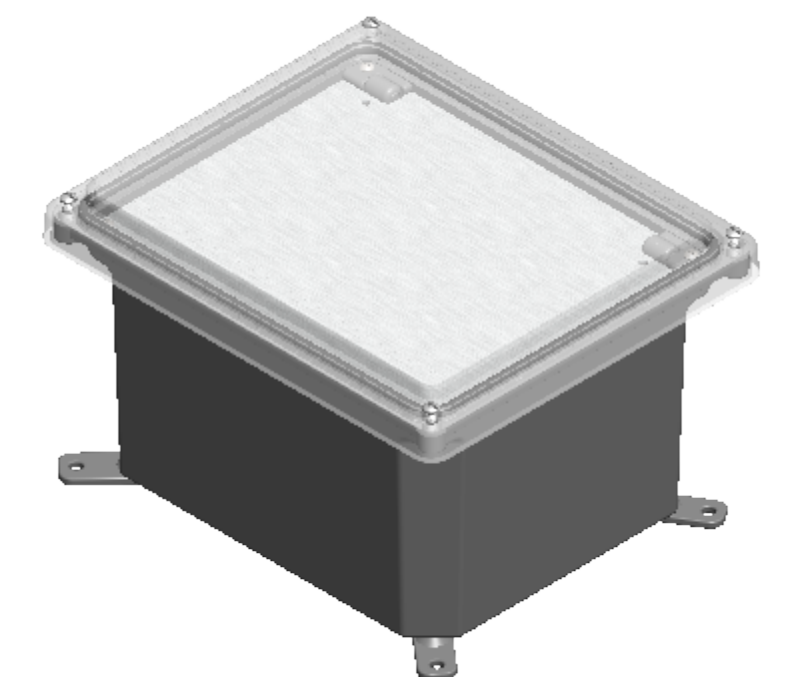
SECTION B-B

Hinges for pn 7200TH hinged aluminum panel (2 included)

Aluminum panels for bottom, hinge, and top are not included. They are available as options:
 Bottom panel p/n 72000
 Hinged panel p/n 72020
 Top panel p/n 72040



Open I352S with bottom flanges (2 included)



I352S with bottom rotating feet (4 included)

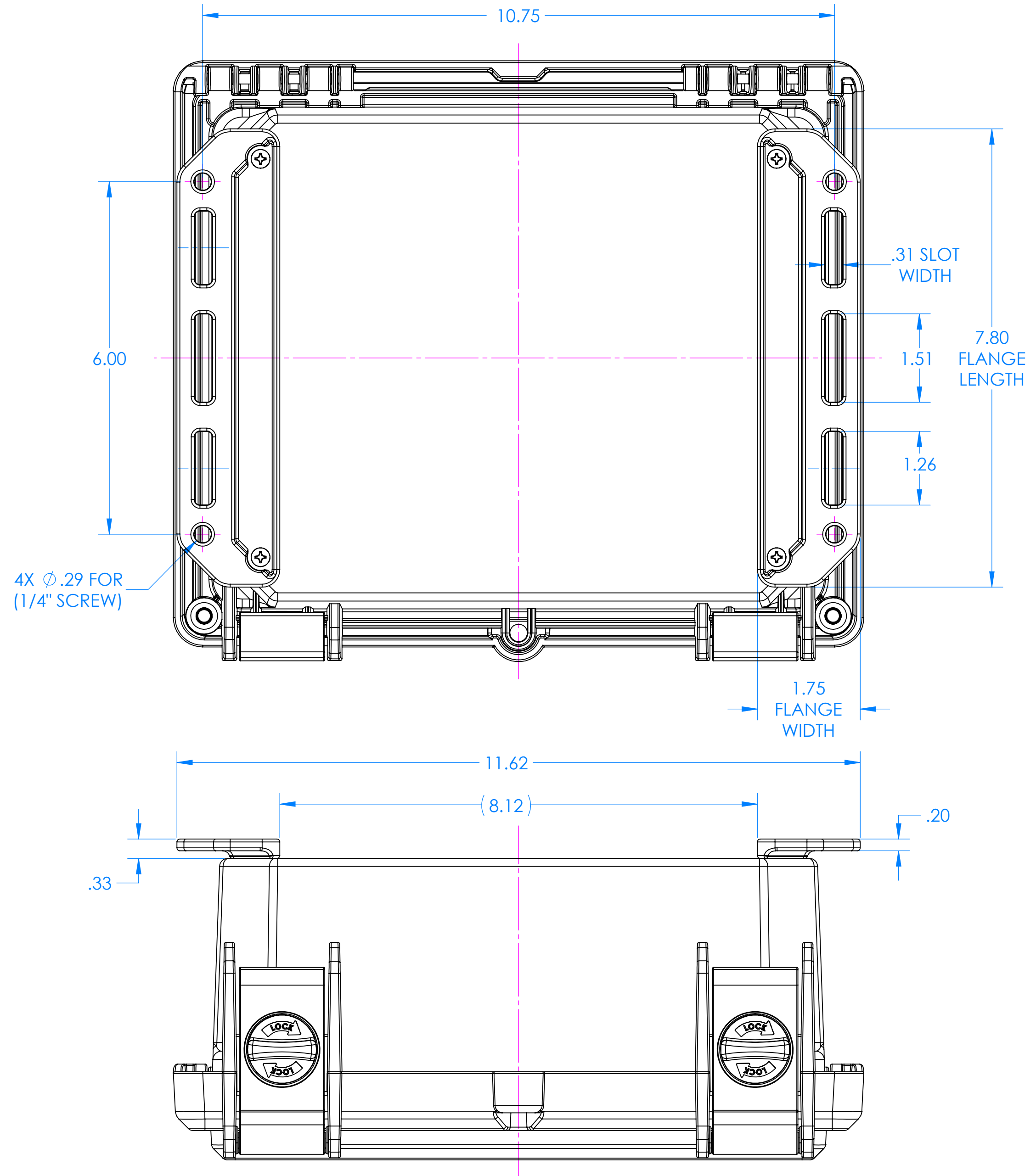
-Material: UV stabilized Polycarbonate
 Flammability UL 94 V-2
 -Watertight enclosure meets or exceeds Nema 4 and or IP67.

| PARTS INCLUDED | | |
|----------------|------|-----------------------|
| P/N | Qty. | Description |
| 352S | 1 | 352 S Top |
| 350SB | 1 | 350 S Bottom |
| 8350 | 1 | 350 Perimeter O-ring |
| 1305 | 2 | 350 Flange |
| 1306 | 4 | 350 Feet |
| 1308 | 1 | 350 Panel hinge A |
| 1309 | 1 | 350 Panel hinge B |
| 6028 | 4 | SS #10 X 5/8" Pan H/L |
| 6031 | 4 | #10 X 1" Screw |
| 8001 | 4 | O-Ring for Screw |

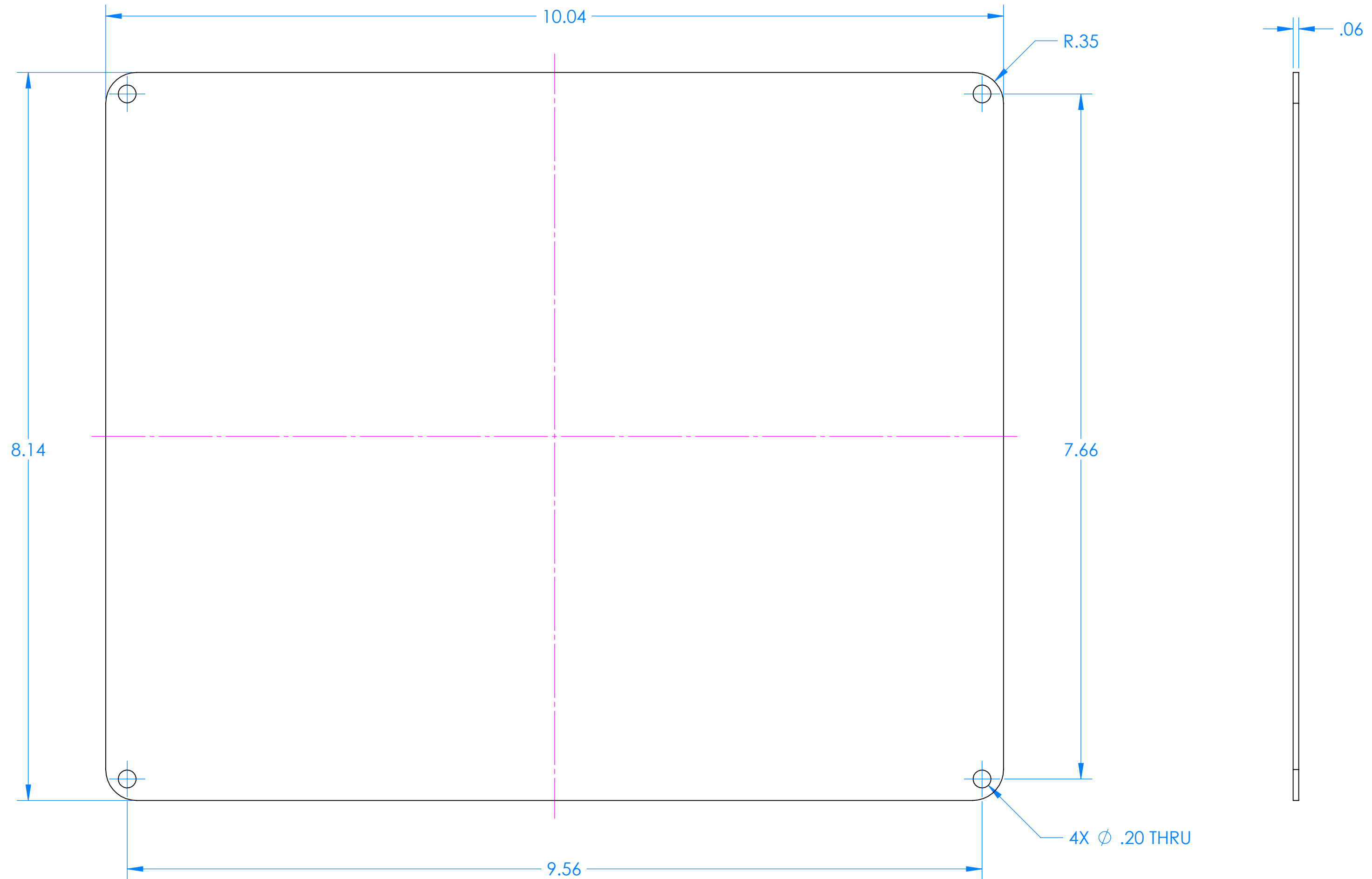
See pages 3-5 for panel dimensions and panel hardware. See page 2 for flange dimensions

I352/I342 Flange Dimensions

I342HL CASE SHOWN.
FLANGE IS FOR I342HL, I342HS,
I352HL AND I352HS

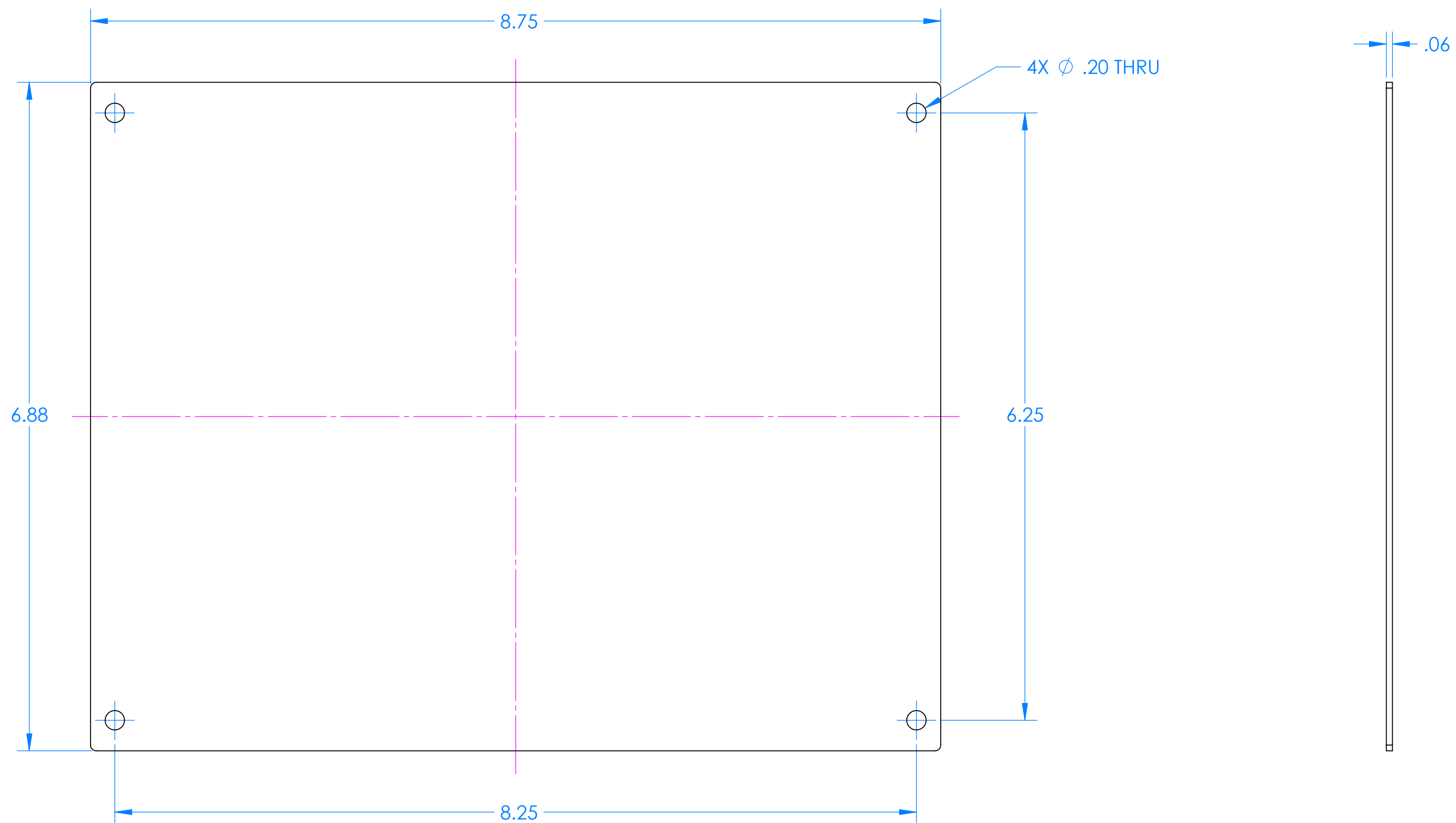


7200T Top Panel Kit for 352HL, 342HL, 352HS, 342HS, 352S and 342S



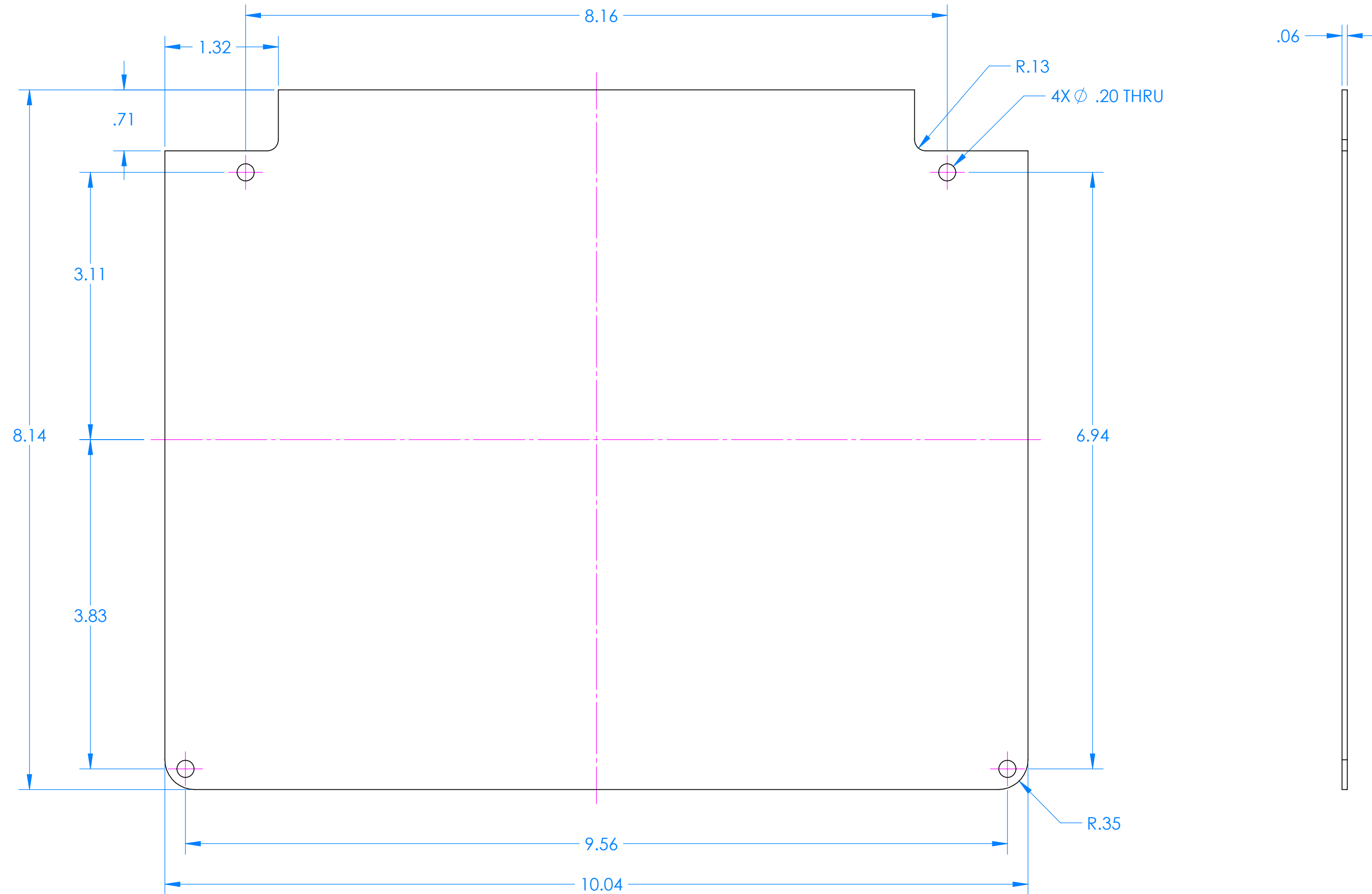
| PARTS INCLUDED | | |
|----------------|------|----------------------------|
| P/N | Qty. | Description |
| 72040 | 1 | Hinged top aluminum panel |
| 6029 | 4 | SS #10 X 3/8" Pan HL Screw |

7200B Bottom Panel Kit for 352HL, 342HL, 352HS, 342HS, 352S and 342S



| PARTS INCLUDED | | |
|----------------|------|----------------------------|
| P/N | Qty. | Description |
| 72000 | 1 | Bottom aluminum panel |
| 6029 | 4 | SS #10 X 3/8" Pan HL Screw |

7200TH Hinged Top Panel Kit for 352HL, 342HL, 352HS, 342HS, 352S and 342S



| PARTS INCLUDED | | |
|----------------|------|-----------------------------------|
| P/N | Qty. | Description |
| 72020 | 1 | Hinged top aluminum panel |
| 6029 | 2 | SS #10 X 3/8" Pan HL Screw |
| 6030 | 2 | SS #10 X 3/8" Pan Combo H/L Screw |
| 6105 | 2 | SS #10-32 X 1/8" Nut |