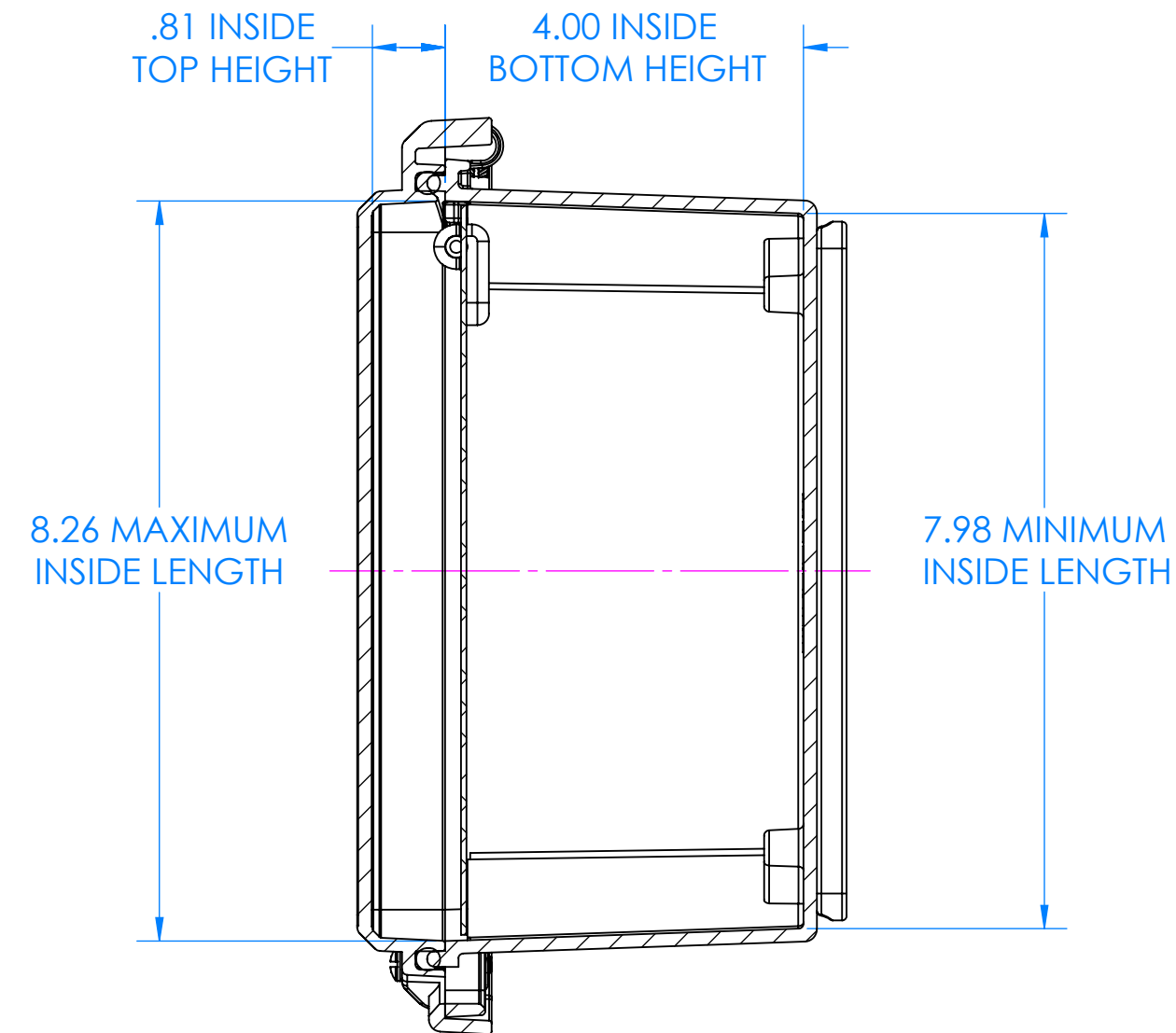
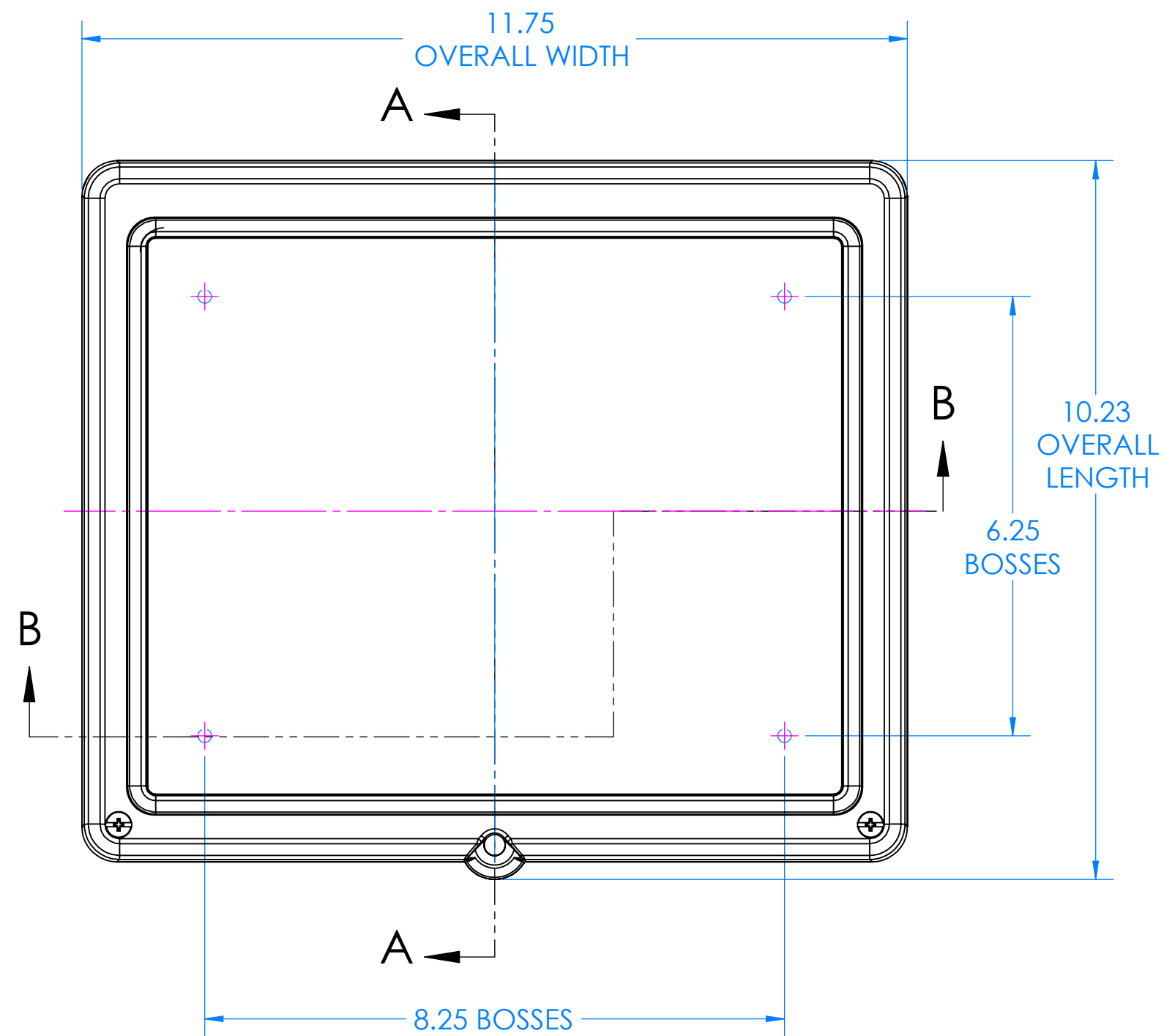
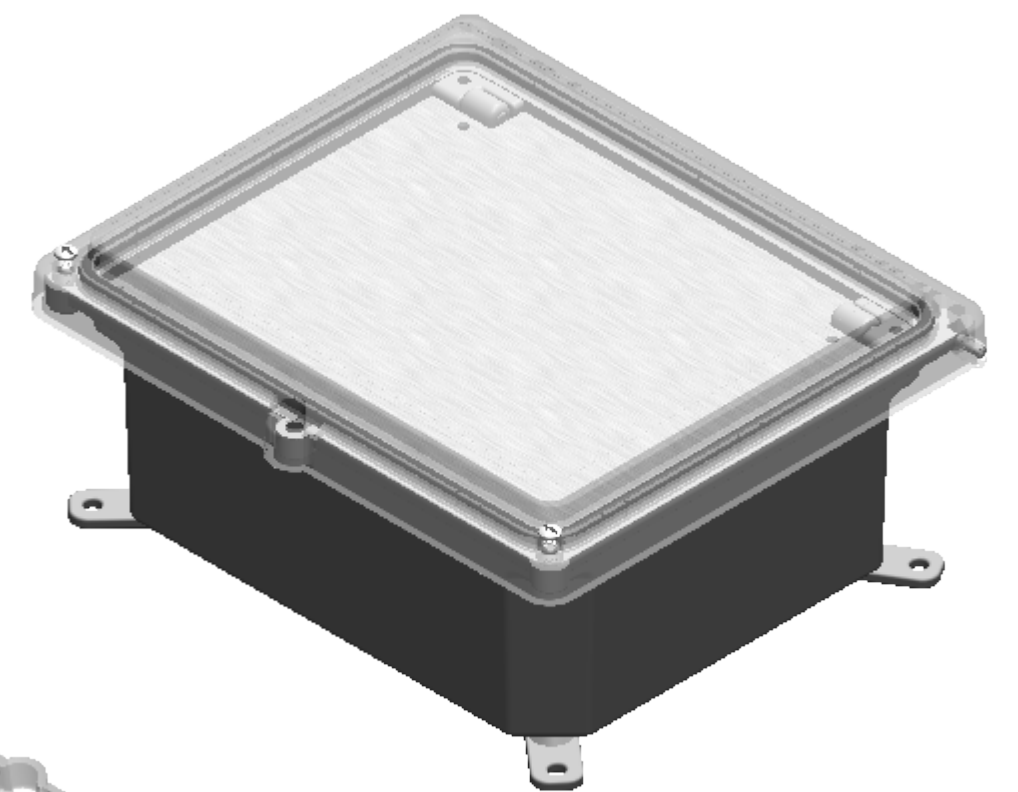


# SERPAC I342HS

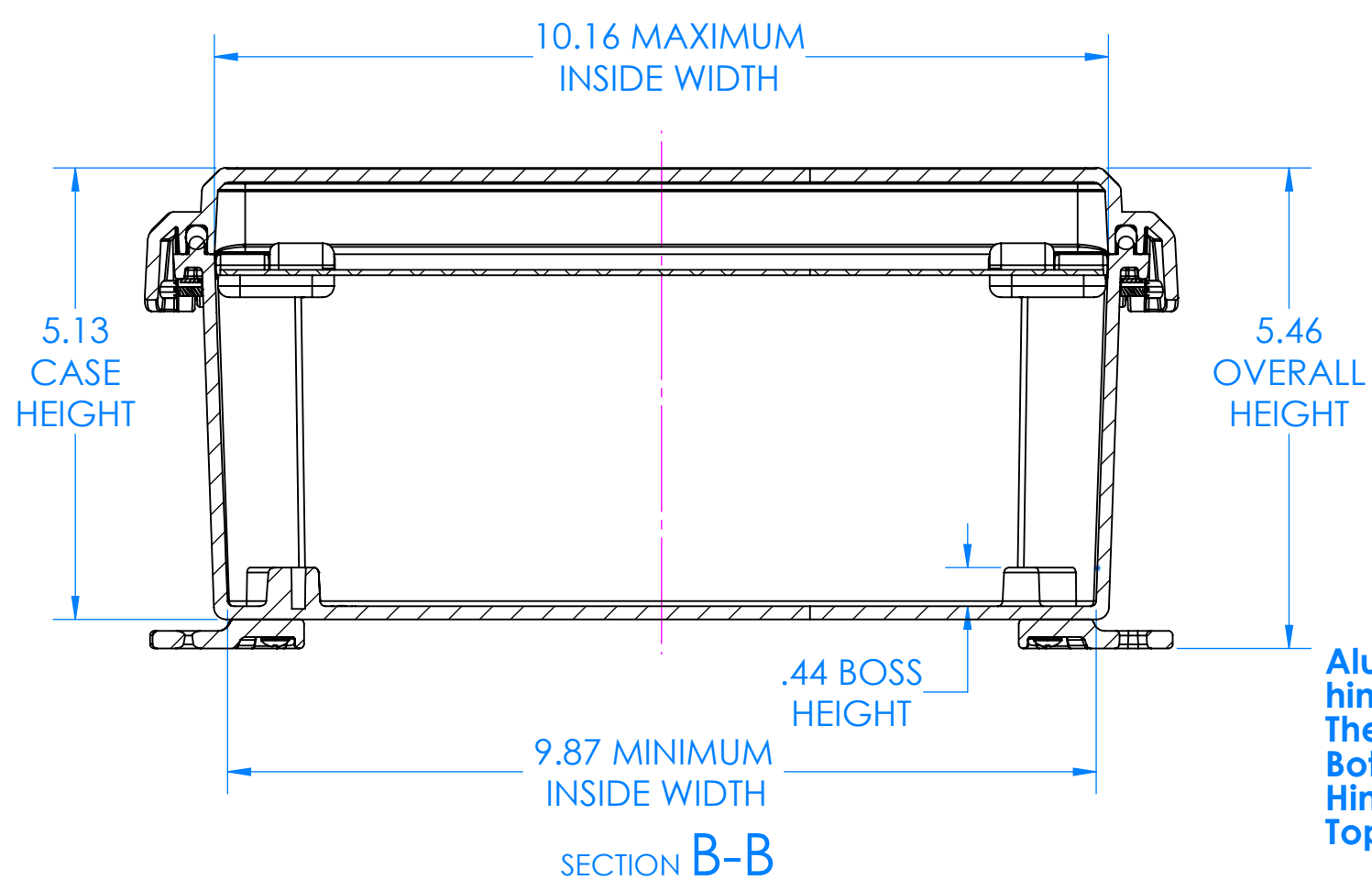
Electronic Enclosures



SECTION A-A

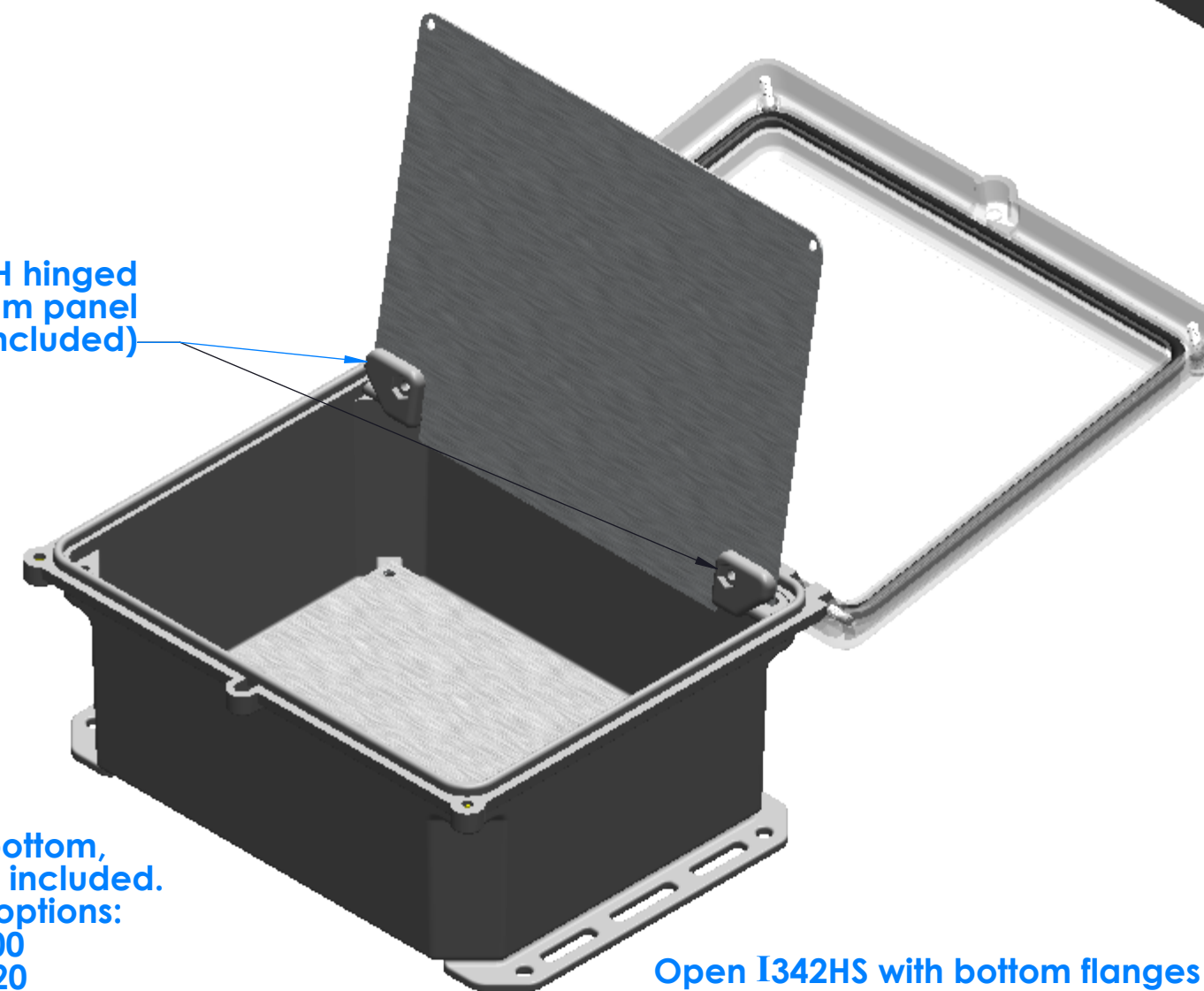


I342HS with bottom rotating feet (4 included)



SECTION B-B

Hinges for pn 7200TH hinged aluminum panel (2 included)



Open I342HS with bottom flanges (2 included)

Aluminum panels for bottom, hinge, and top are not included. They are available as options:  
 Bottom panel p/n 72000  
 Hinged panel p/n 72020  
 Top panel p/n 72040

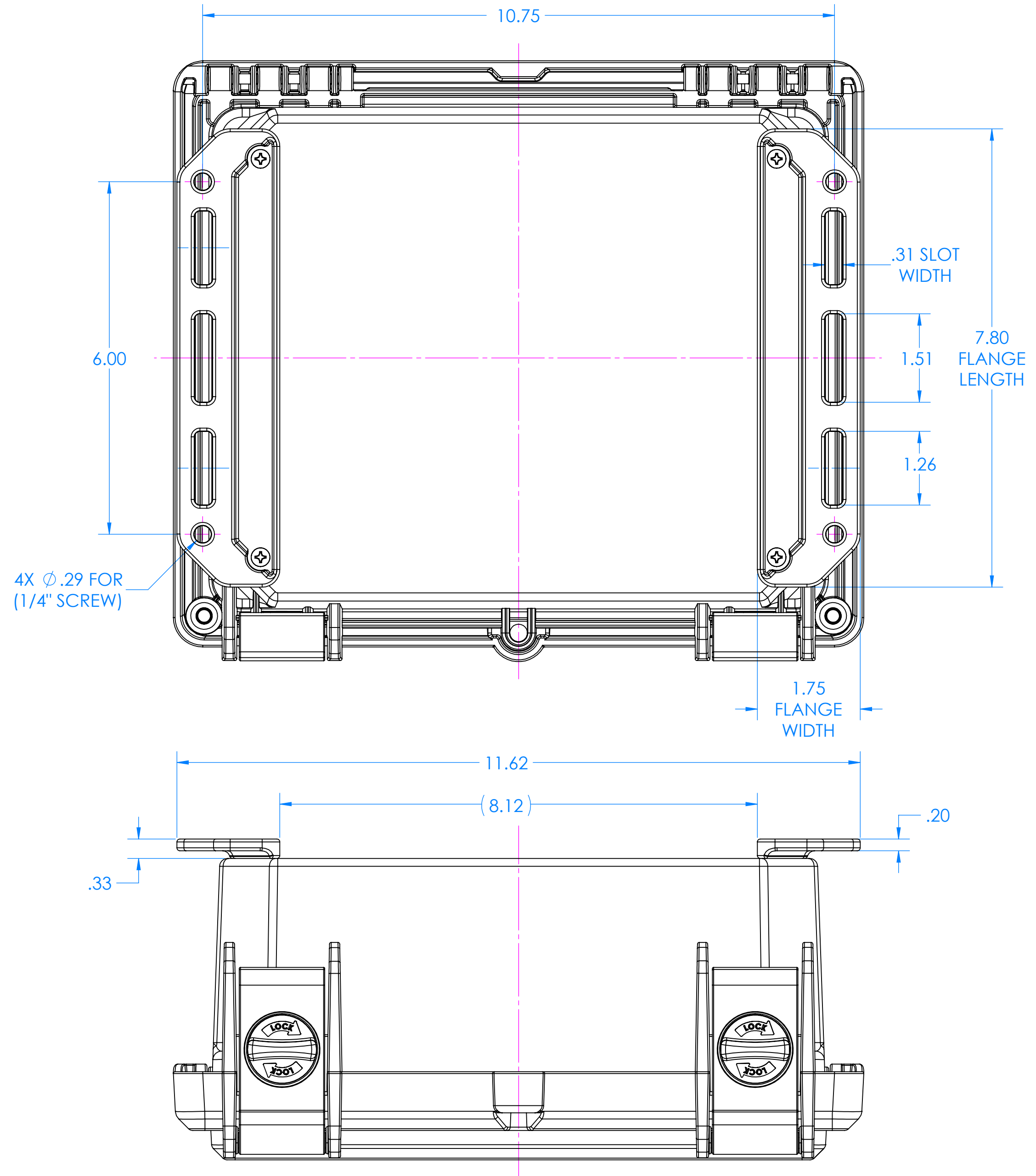
-Material: UV stabilized Polycarbonate  
 Flammability UL 94 V-0  
 -Watertight enclosure meets or exceeds Nema 4 and or IP67.

PARTS INCLUDED		
P/N	Qty.	Description
352HST	1	352 HS Top
340HSB	1	340 HL Bottom
8350	1	350 Perimeter O-ring
1305	2	350 Flange
1306	4	350 Feet
1308	1	350 Panel hinge A
1309	1	350 Panel hinge B
6028	4	SS #10 X 5/8" Pan H/L
6031	2	#10 X 1" Screw
8001	2	O-Ring for Screw

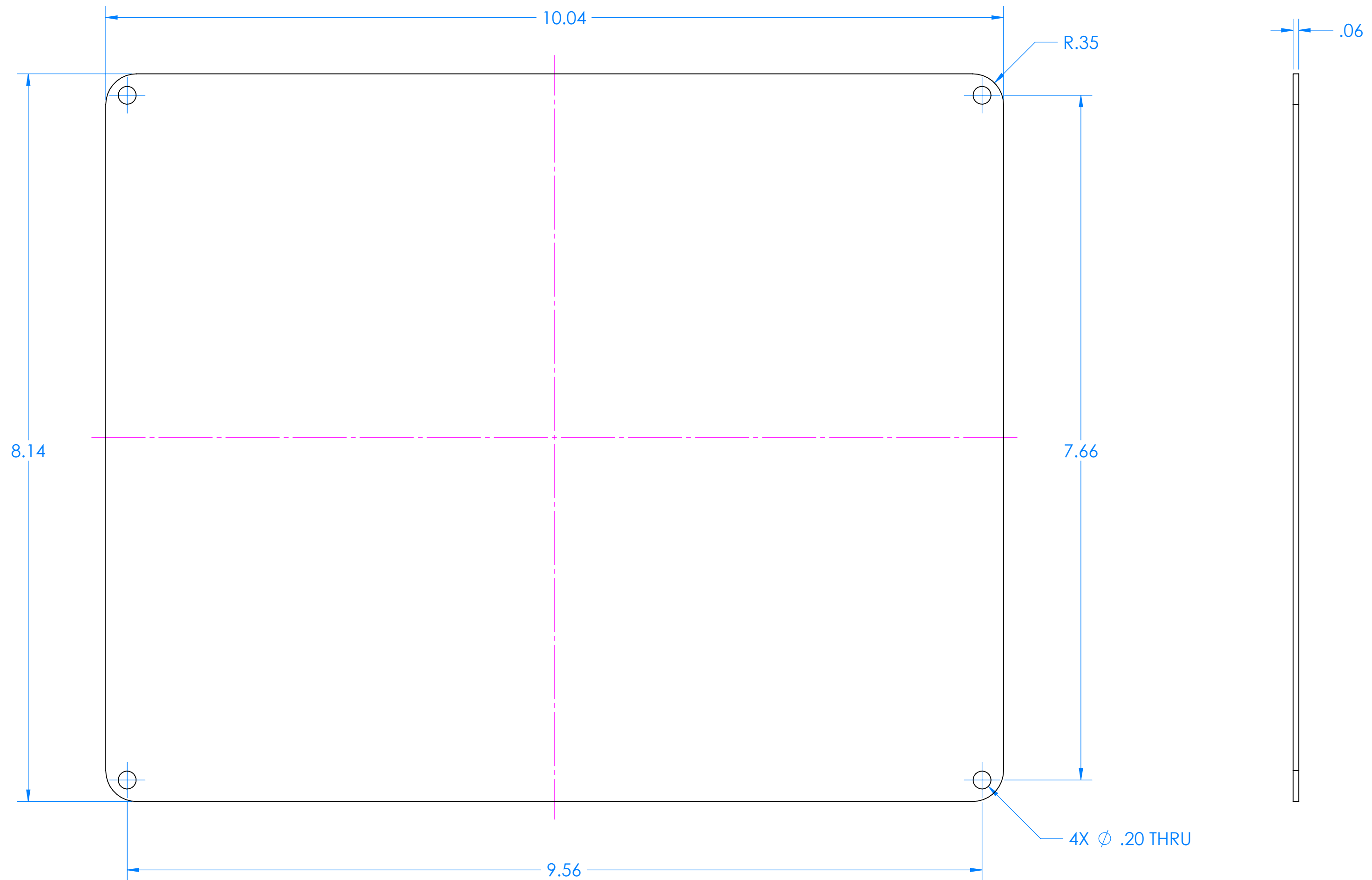
See pages 3-5 for panel dimensions and panel hardware. See page 2 for flange dimensions

# I352/I342 Flange Dimensions

I342HL CASE SHOWN.  
FLANGE IS FOR I342HL, I342HS,  
I352HL AND I352HS

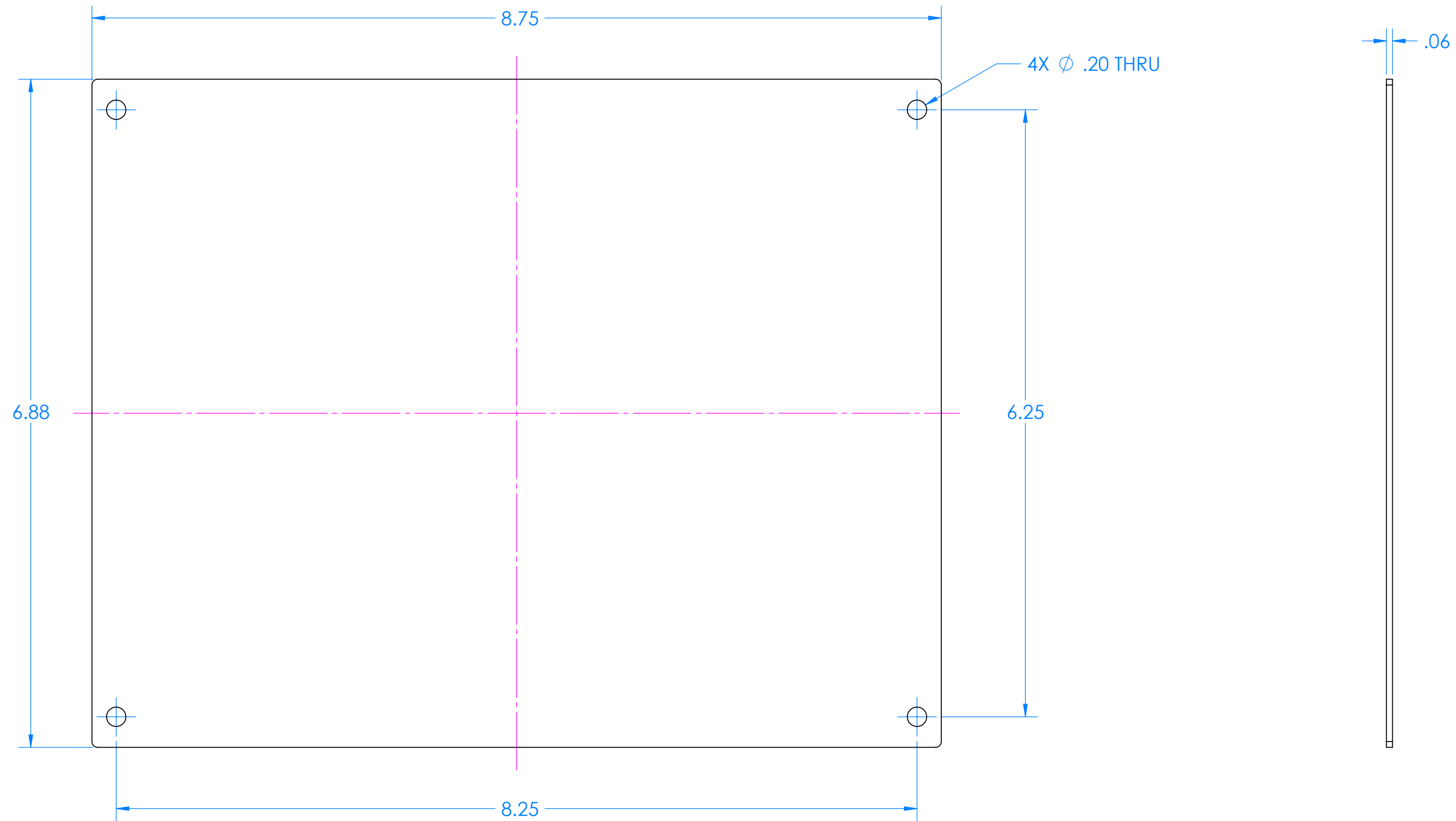


# 7200T Top Panel Kit for 352HL, 342HL, 352HS, 342HS, 352S and 342S



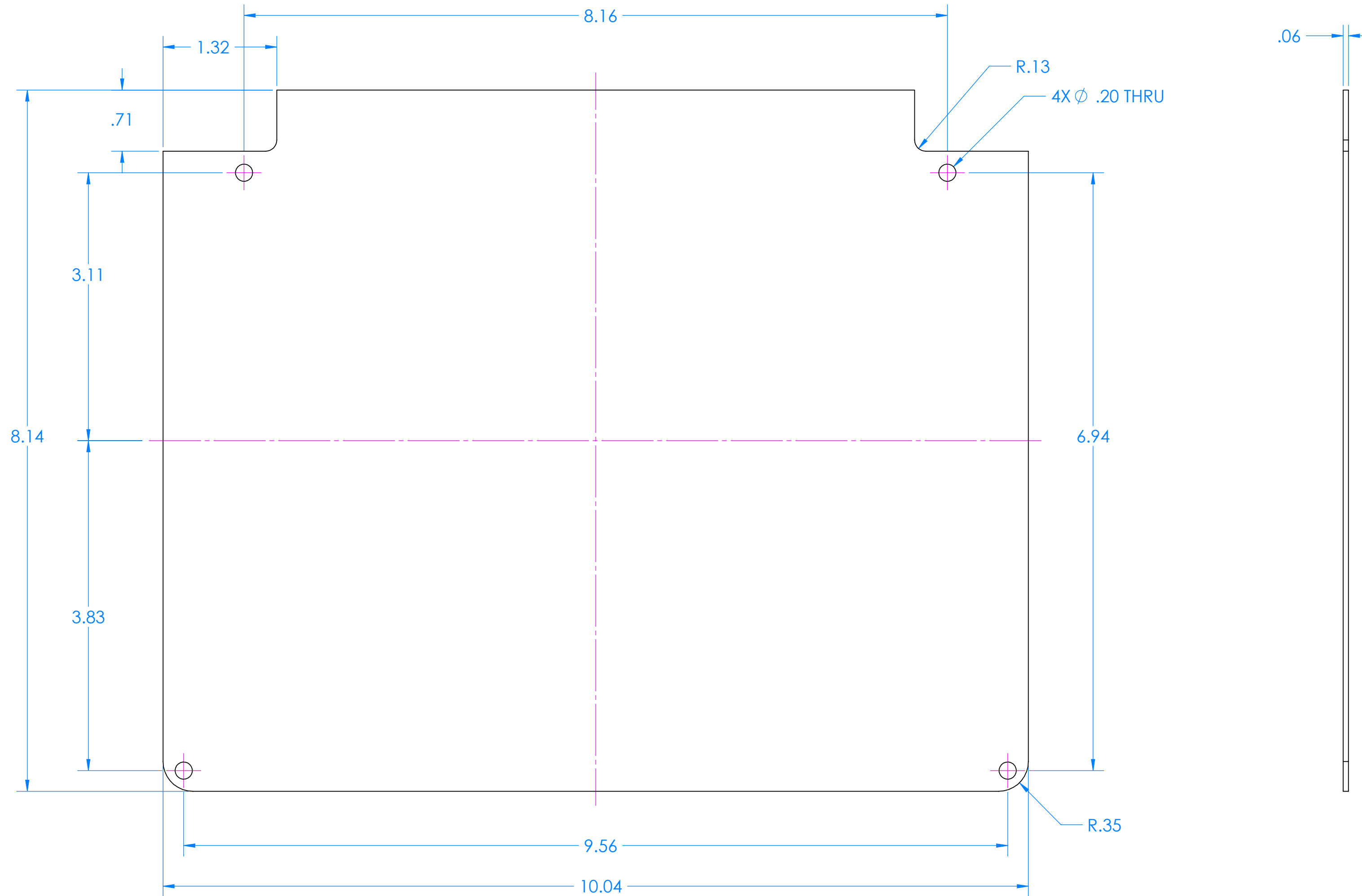
PARTS INCLUDED		
P/N	Qty.	Description
72040	1	Hinged top aluminum panel
6029	4	SS #10 X 3/8" Pan HL Screw

# 7200B Bottom Panel Kit for 352HL, 342HL, 352HS, 342HS, 352S and 342S



PARTS INCLUDED		
P/N	Qty.	Description
72000	1	Bottom aluminum panel
6029	4	SS #10 X 3/8" Pan HL Screw

# 7200TH Hinged Top Panel Kit for 352HL, 342HL, 352HS, 342HS, 352S and 342S



PARTS INCLUDED		
P/N	Qty.	Description
72020	1	Hinged top aluminum panel
6029	2	SS #10 X 3/8" Pan HL Screw
6030	2	SS #10 X 3/8" Pan Combo H/L Screw
6105	2	SS #10-32 X 1/8" Nut