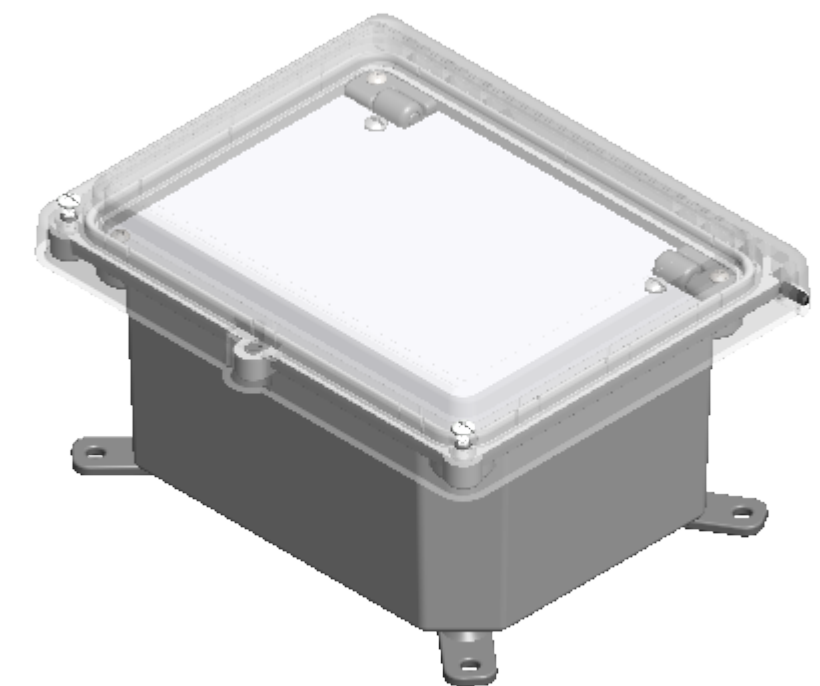
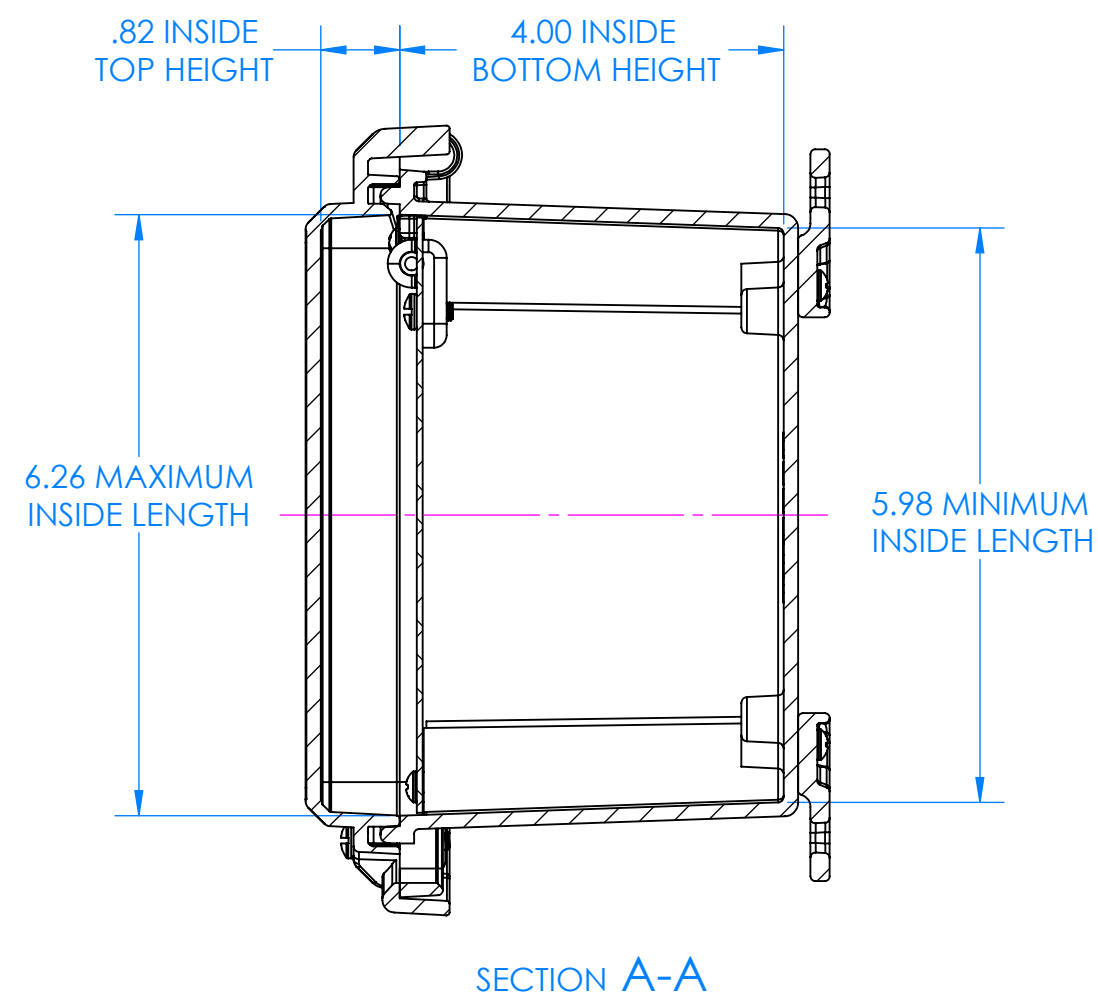
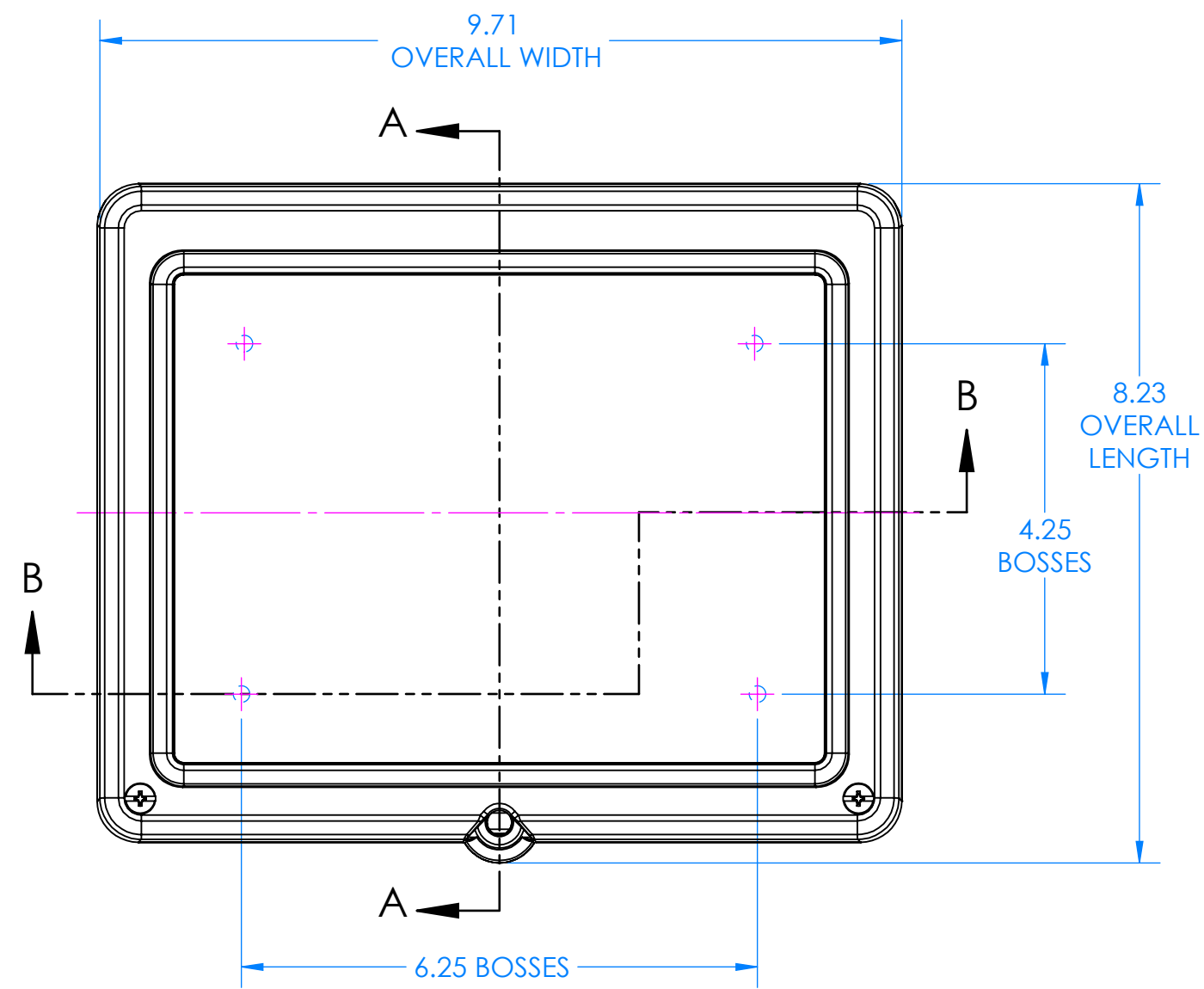
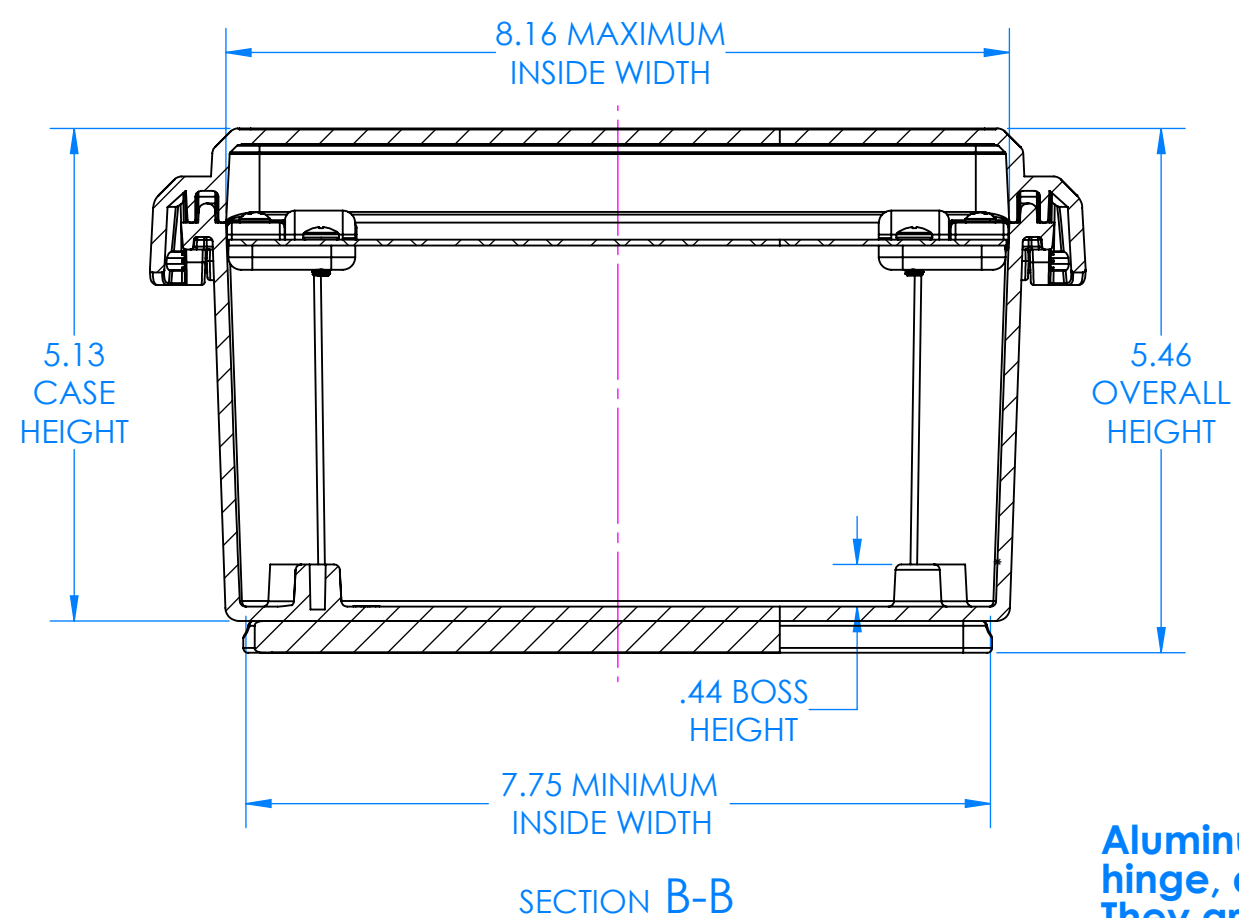


# SERPAC I152HS

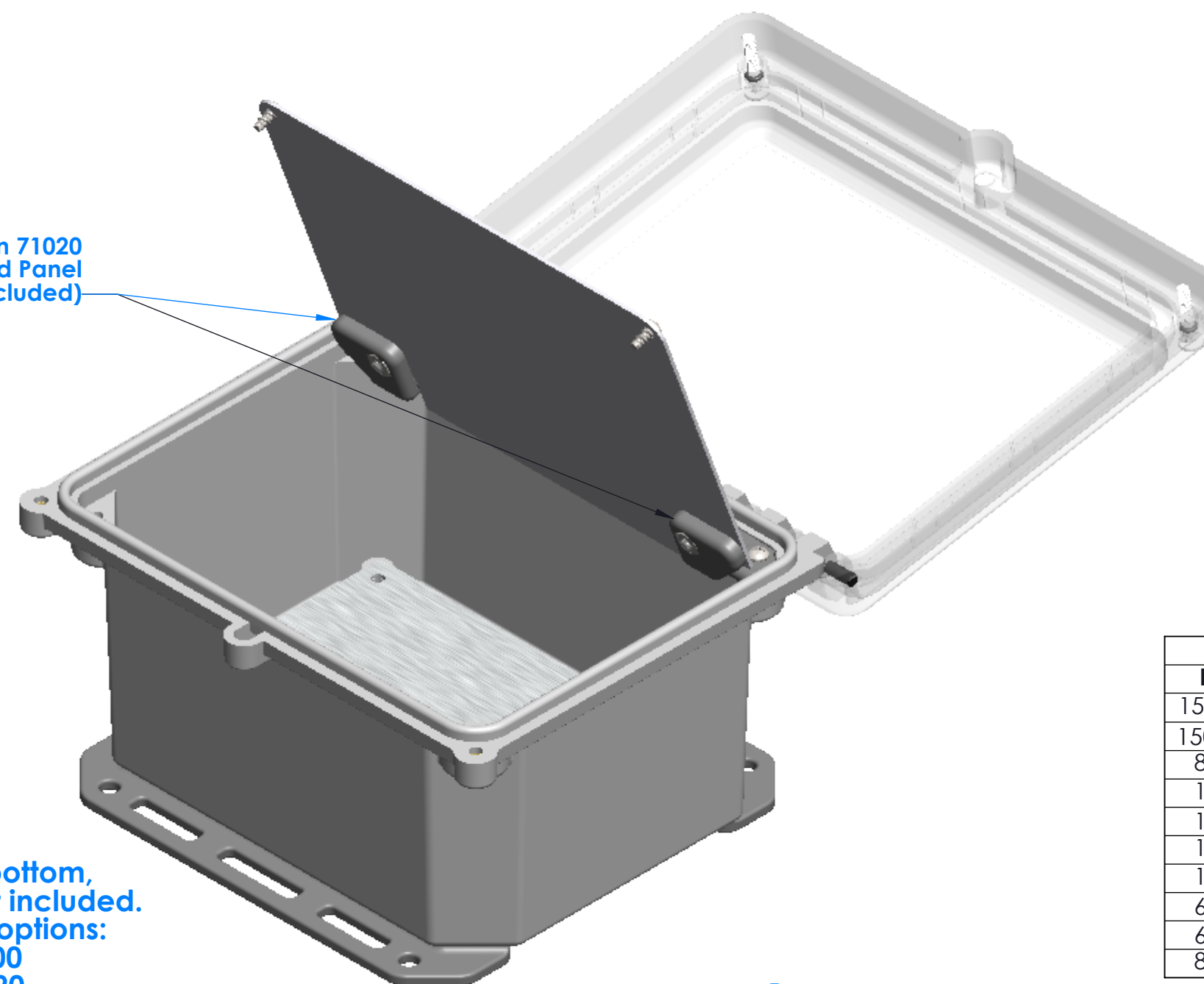
Electronic Enclosures



I152HS with bottom rotating feet (4 included)



Hinges for p/n 71020  
Aluminum Hinged Panel  
(2 included)



Open I152HS with bottom flanges (2 included)

Aluminum panels for bottom, hinge, and top are not included. They are available as options:  
Bottom panel p/n 71000  
Hinged panel p/n 71020  
Top panel p/n 71040

-Material: UV stabilized Polycarbonate  
Flammability UL 94 V-2  
-Watertight enclosure meets or exceeds Nema 4 and or IP67.

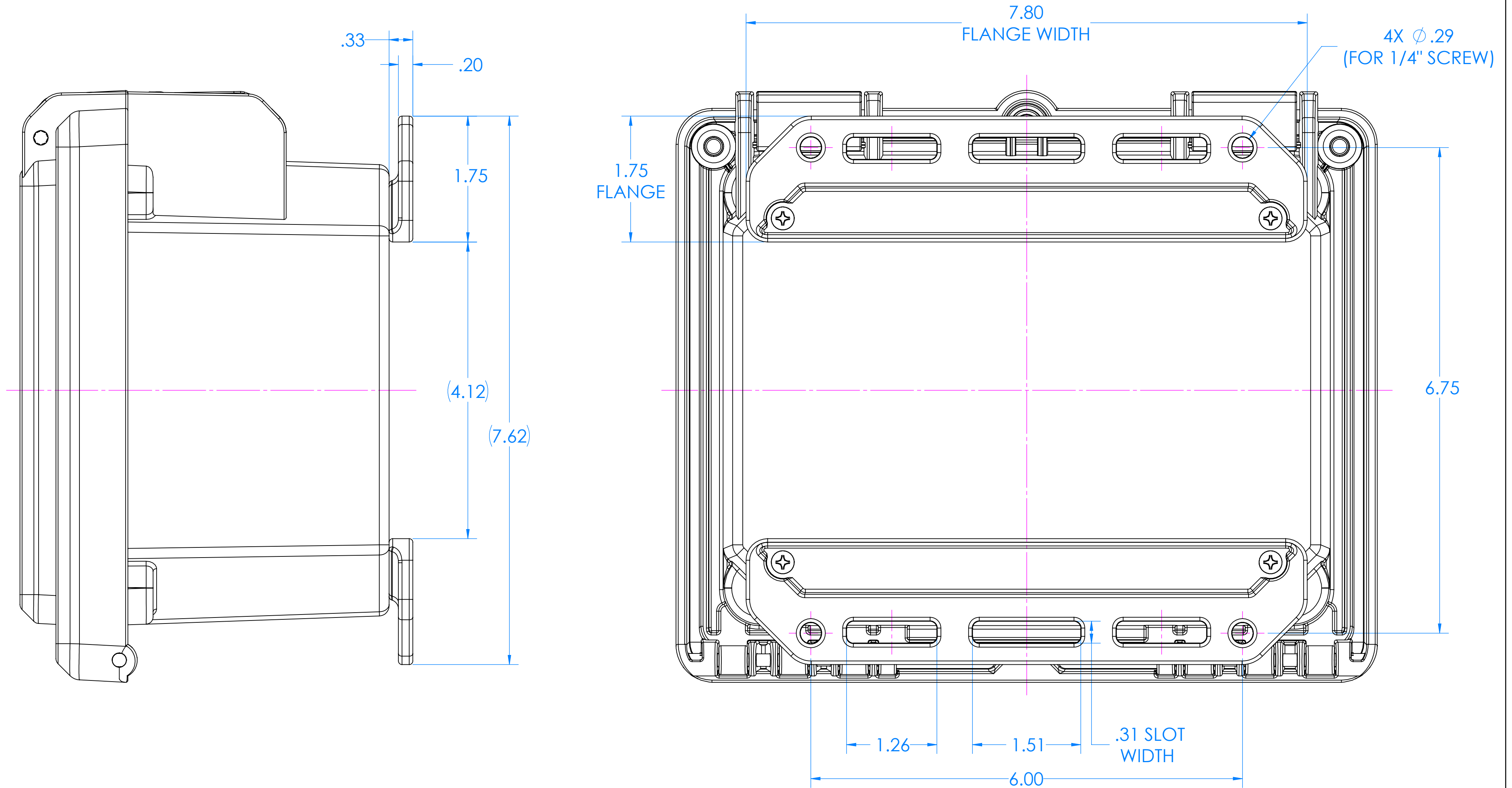
PARTS INCLUDED		
P/N	Qty.	Description
152 HST	1	152 HS Top
150 HSB	1	150 HS Bottom
8150	1	150 O-Ring
1305	2	350 Flange
1306	4	350 Feet
1308	1	350 Panel Hinge A
1309	1	350 Panel Hinge B
6028	4	SS #10 X 5/8" Pan H/L
6031	2	#10 X 1" Screw
8001	2	O-Ring for Screw

See pages 3-5 for panel dimensions and panel hardware. See page 2 for flange dimensions

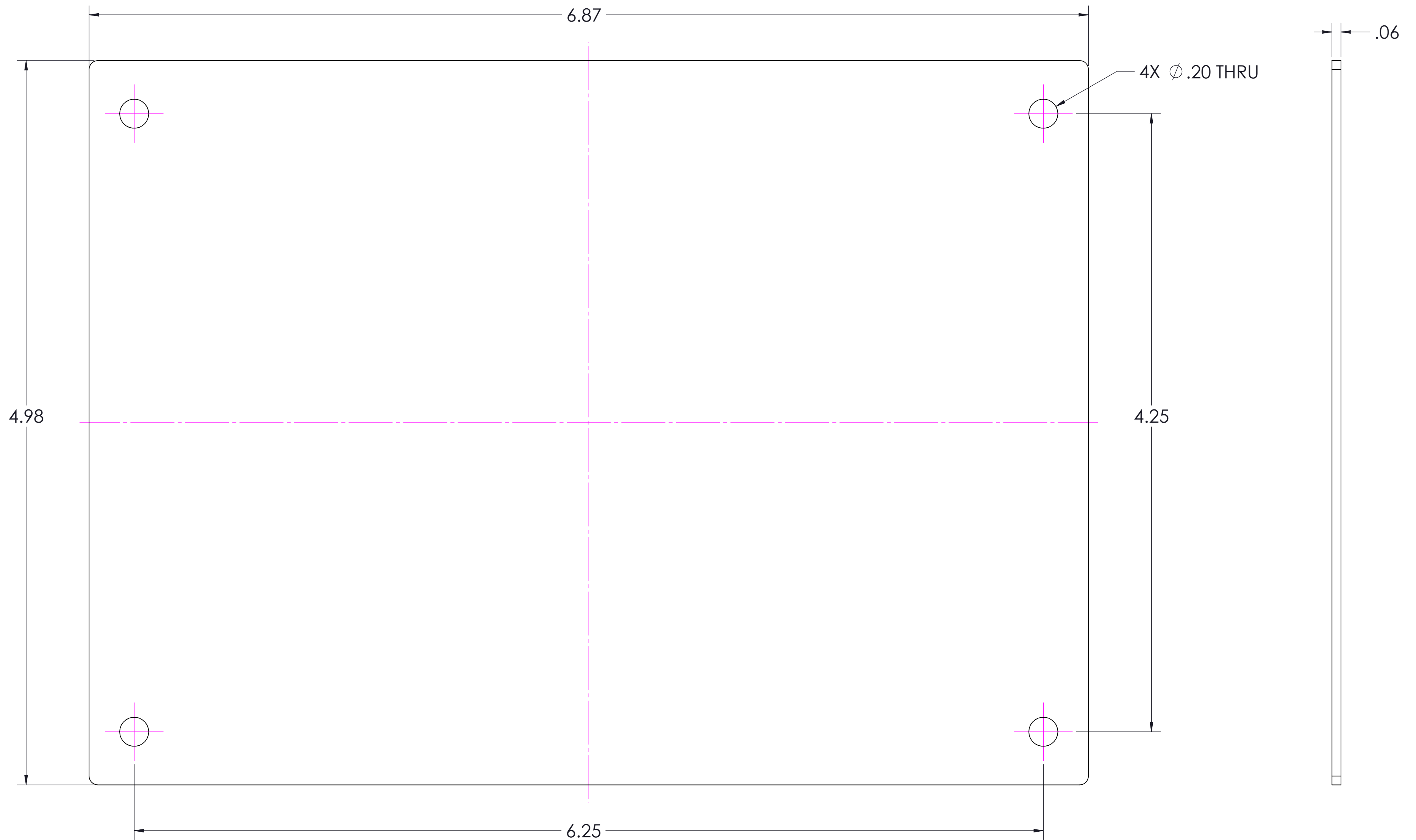
# SERPAC I152 Flange Dimensions

Electronic Enclosures

I152HL CASE SHOWN BELOW.  
FLANGE IS FOR BOTH I152HL AND I152HS

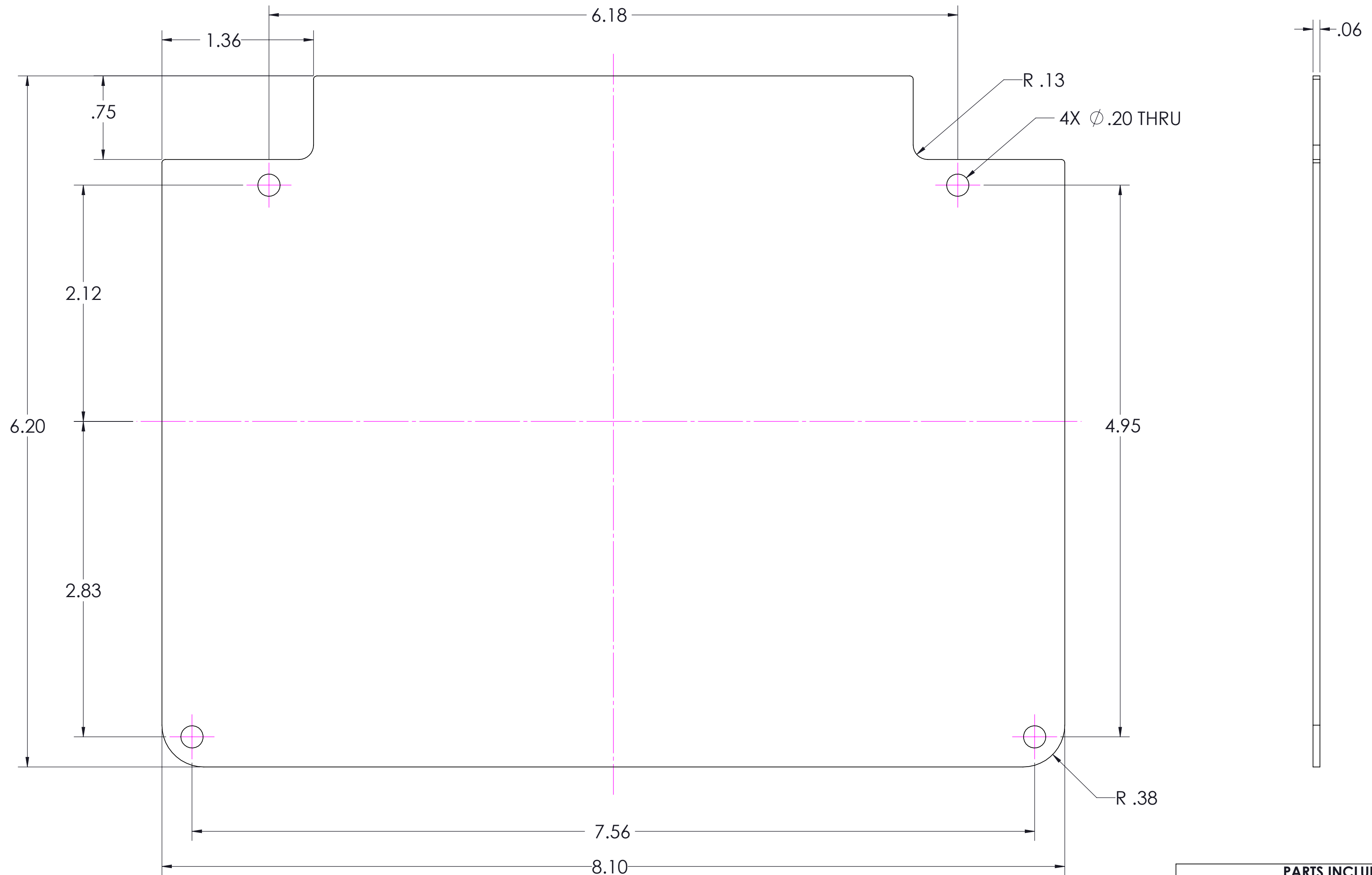


# 7100B Bottom Panel Kit for I152HL and I152HS



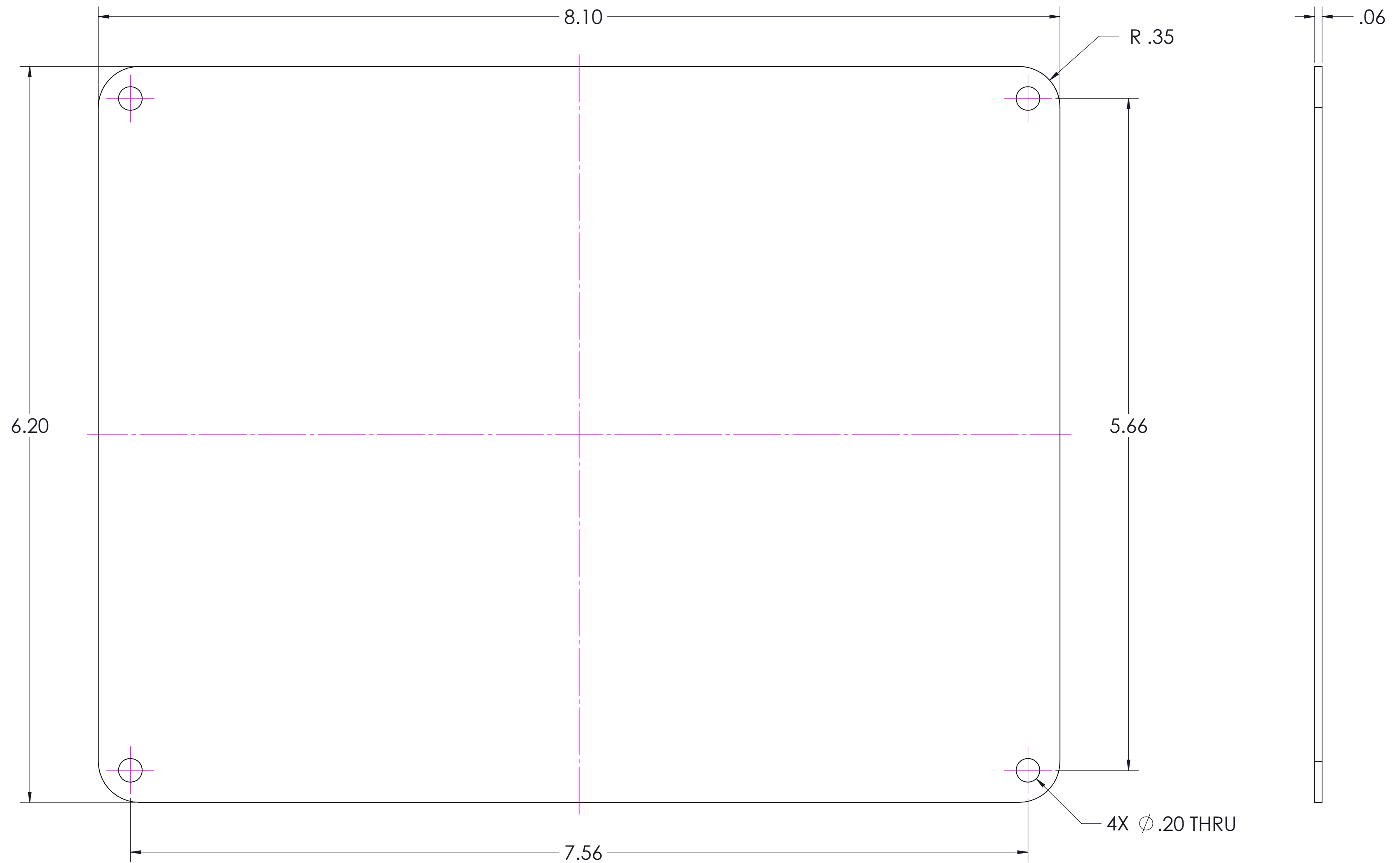
PARTS INCLUDED		
P/N	Qty.	Description
71000	1	Bottom Aluminum Panel
6029	4	#10 X 3/8" Pan Head Screw, 18-8 SS

# 7100TH Hinged Panel Kit for I152HL and I152HS



PARTS INCLUDED		
P/N	Qty.	Description
71020	1	Hinged Top Aluminum Panel
6029	2	#10 X 3/8" Pan Head Screw, 18-8 SS
6030	2	#10 X 3/8" Pan Combo Screw, 18-8 SS
6105	2	#10-32 X 1/8" Nut, 18-8 SS

# 7100T Top Panel Kit for I152HL and I152HS



PARTS INCLUDED		
P/N	Qty.	Description
71040	1	Main Top Aluminum Panel
6029	4	SS #10 X 3/8" Pan HL Screw