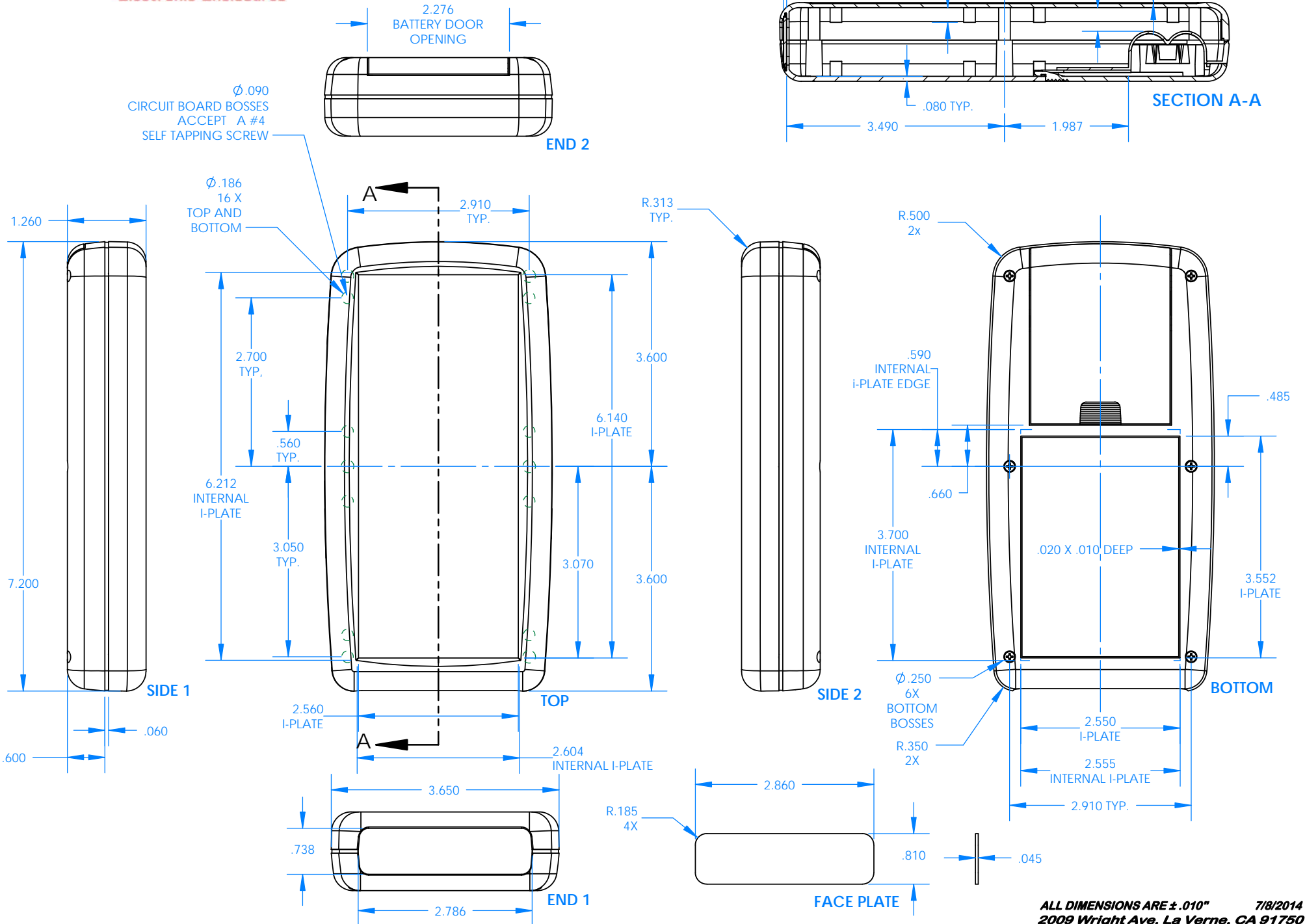


SERPAC H75,2AA

Electronic Enclosures



ALL DIMENSIONS ARE $\pm .010"$ 7/8/2014
 2009 Wright Ave. La Verne, CA 91750
 Ph. (626) 331-0517 Fx. (626) 331-8584 serpac.com