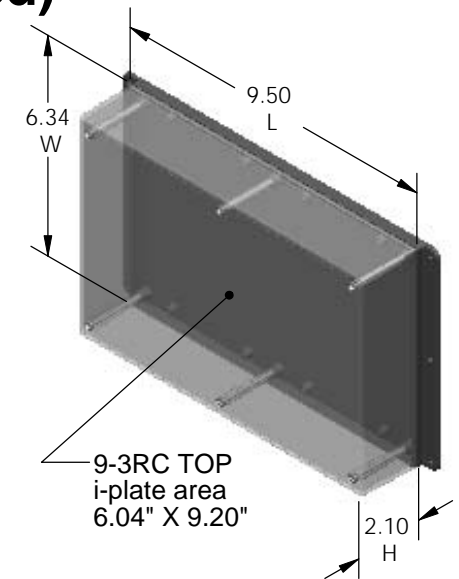


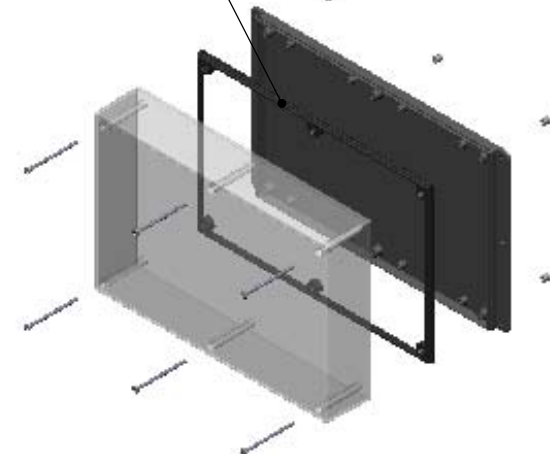
# SERPAC WM093RC (3D exploded)

Electronic Enclosures

- Click on image to show toolbar. Use  to Play/Pause Animation\*.
- Left click and drag on image to move 3D model.



Water proofing gasket  
PS19 optional.  
see note #2



### 3D model options:

- Zoom in & out with center wheel.
- Pause at any moment to view and or print views.
- Change the views to ortho and section views if needed from the Views pull down menu.
- Explore options included in the tool bar like: Views, Transparency of model, Lighting type, etc.

\*(To have full interaction with the animated PDF files, please use free Adobe Reader 9 or newer version.)

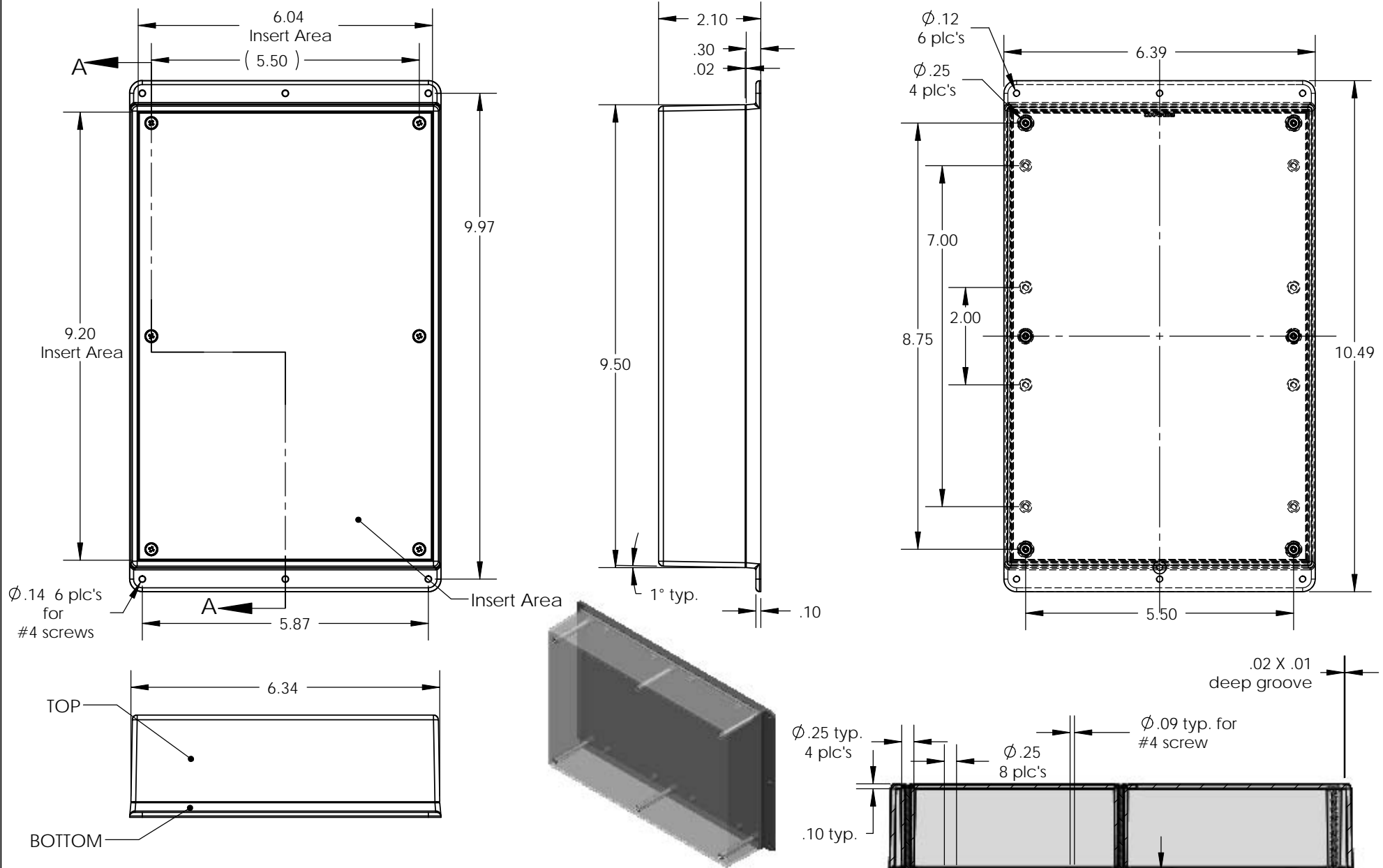
PART NO.	DESCRIPTION (Included)	ACCESSORIES (Optional) More available; see website	
9-3RC	TOP	PART NO.	DESCRIPTION
WM09	BOTTOM	50	Non-skid Feet
6019	4-40 SCREW (6)	PS19	Perimeter Seal
6102	THREADED INSERTS (6)	6004	Screw for circuit board

- Notes: Enclosure weight .80 lbs / 366 gm
- 1) Enclosure meets or exceeds IP40 and NEMA 1
  - 2) When used with PS19 the enclosure meets or exceeds IP 67 and NEMA 4X, 12 and 13 MIL-STD-810G 506.5
  - 3) Circuit Board drawings can be download at:  
<http://www.serpac.com/Products/Sseries/x9x/drawings/19X-CB.pdf>
  - 4) All components are RoHS Compliant.

**ALL DIMENSIONS ARE ±.010" 5/19/10 (1 of 2)**  
 2009 Wright Ave. La Verne, CA 91750  
 Ph. (626) 331-0517 Fx. (626) 331-8584 [serpac.com](http://serpac.com)

# SERPAC WM093RC (user print)

Electronic Enclosures



PART NO.	DESCRIPTION (Included)	ACCESSORIES (Optional) More available; see website	
9-3RC	TOP	PART NO.	DESCRIPTION
WM09	BOTTOM	50	Non-skid Feet
6019	4-40 SCREW (6)	PS19	Perimeter Seal
6102	THREADED INSERTS (6)	6004	Screw for circuit board

Notes: Enclosure weight .80 lbs / 366 gm

- 1) Enclosure meets or exceeds IP40 and NEMA 1
- 2) When used with PS19 the enclosure meets or exceeds IP 67 and NEMA 4X, 12 and 13 MIL-STD-810G 506.5
- 3) Circuit Board drawings can be download at: <http://www.serpac.com/Products/Sseries/x9x/drawings/19X-CB.pdf>
- 4) All components are RoHS Compliant.

ALL DIMENSIONS ARE  $\pm .010"$  5/18/10 (2 of 2)  
 2009 Wright Ave. La Verne, CA 91750  
 Ph. (626) 331-0517 Fx. (626) 331-8584 www.serpac.com