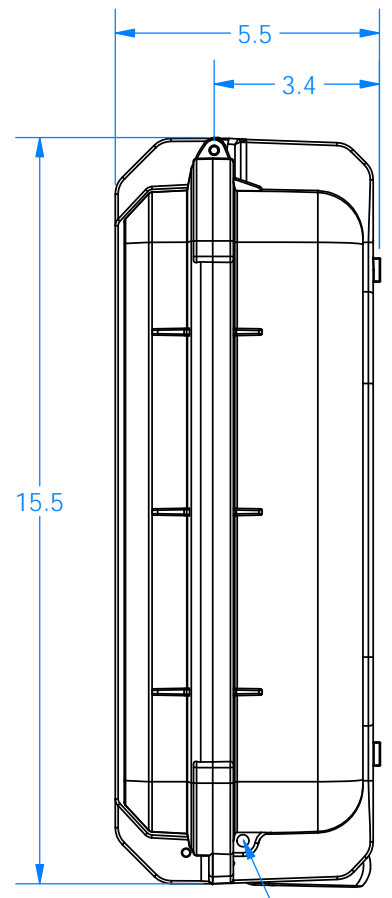
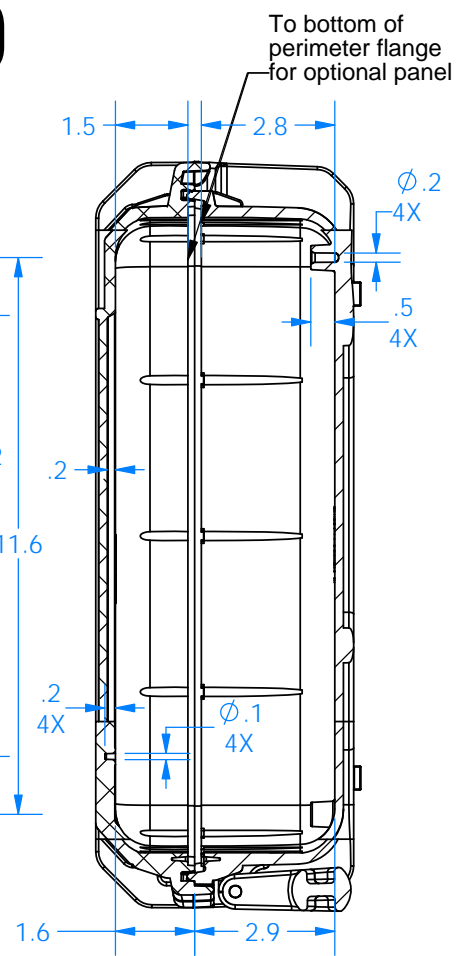
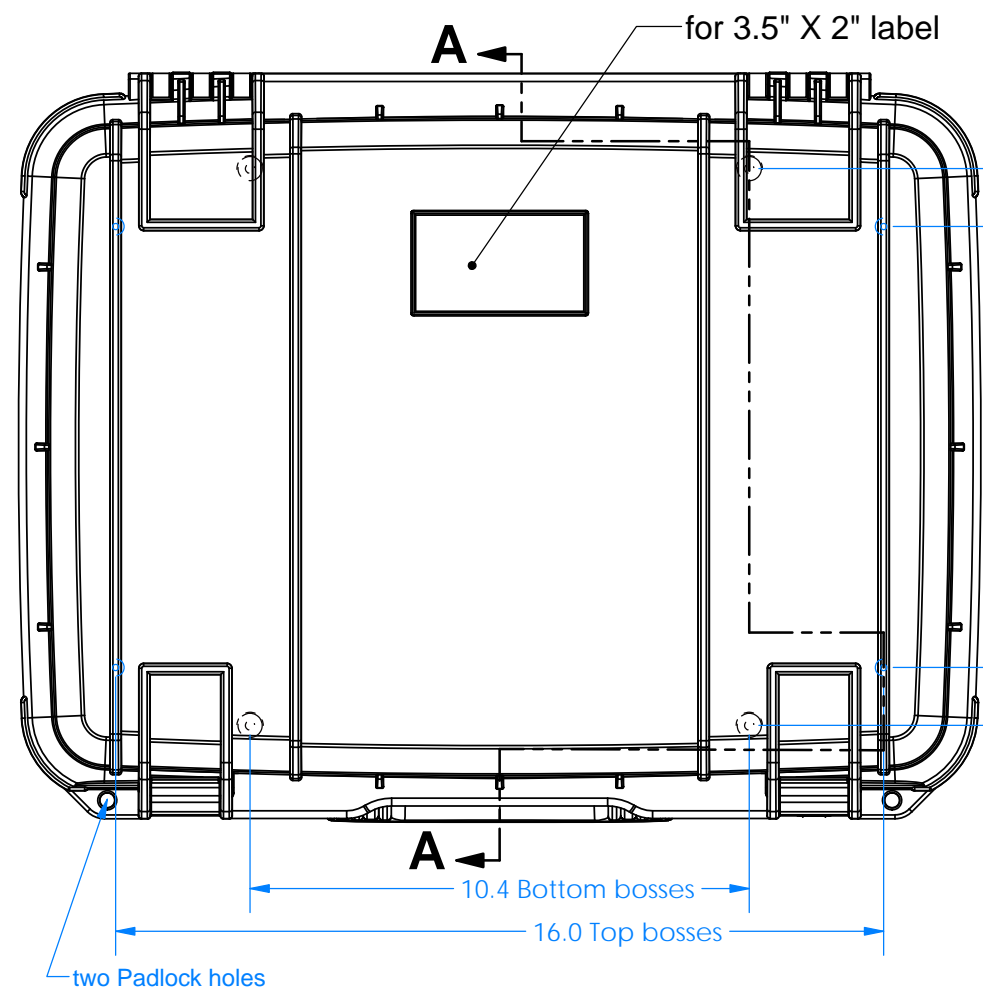
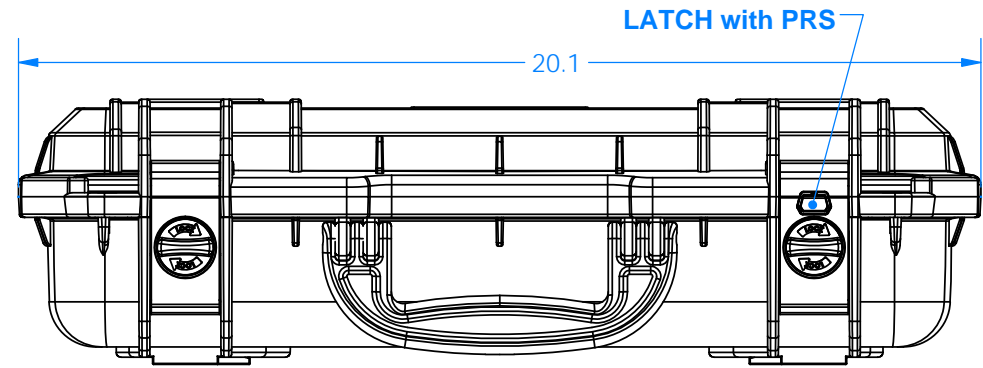


SERPAC SE710

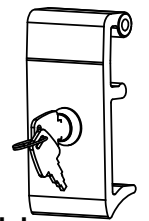
Electronic Enclosures



Holes for shoulder strap. PN 8704 (not included)



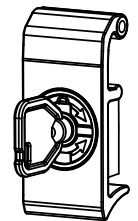
latch with metal lock



MLL

Optional latches must be specified at time of order. See note 2

latch with plastic lock



PLL

NOTES:

- 1) Max. usable inside dimensions are:
18 5/16" X 13 3/16" X 4 1/16"
(4 9/16" bottom of boss) (18.3" X 13.2" X 4.1")
- 2) With Metal Lock Latches p/n SE710ML and Plastic Lock Latches p/n SE710PL are optional.