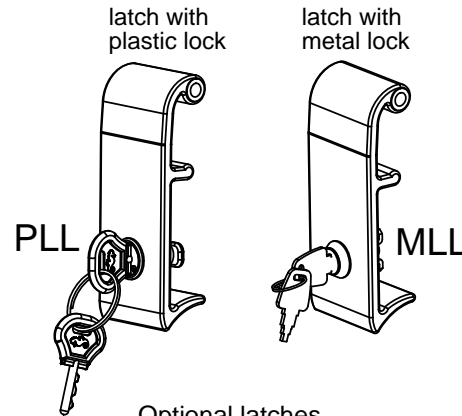
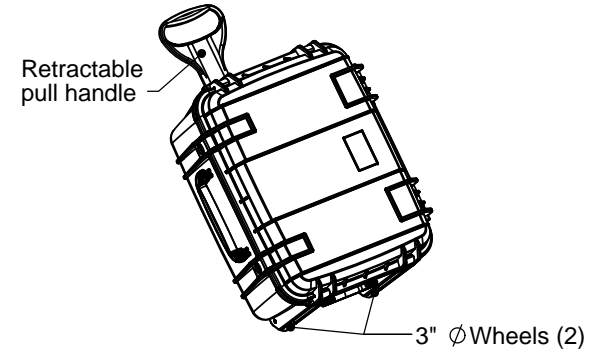
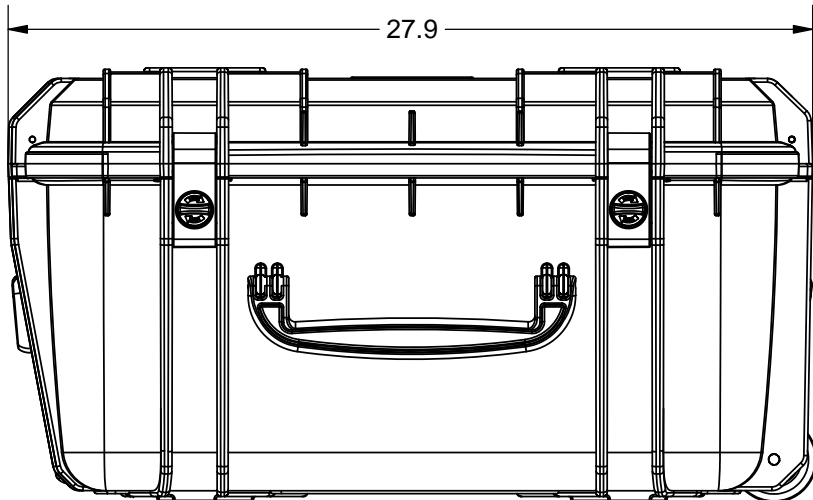
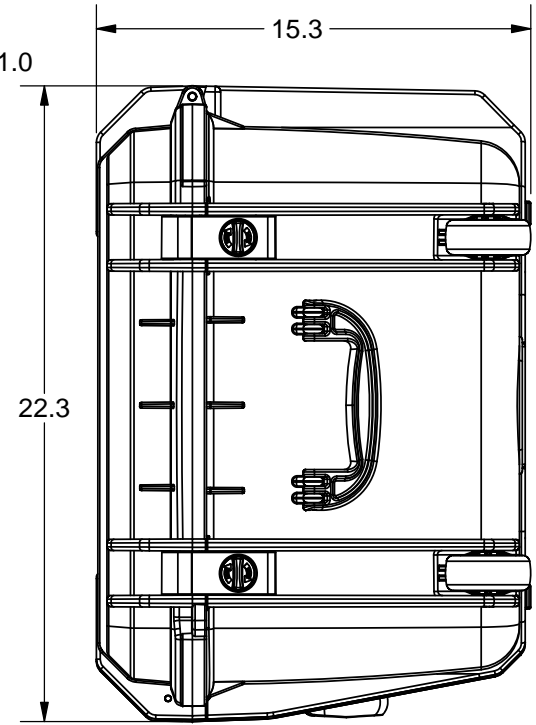
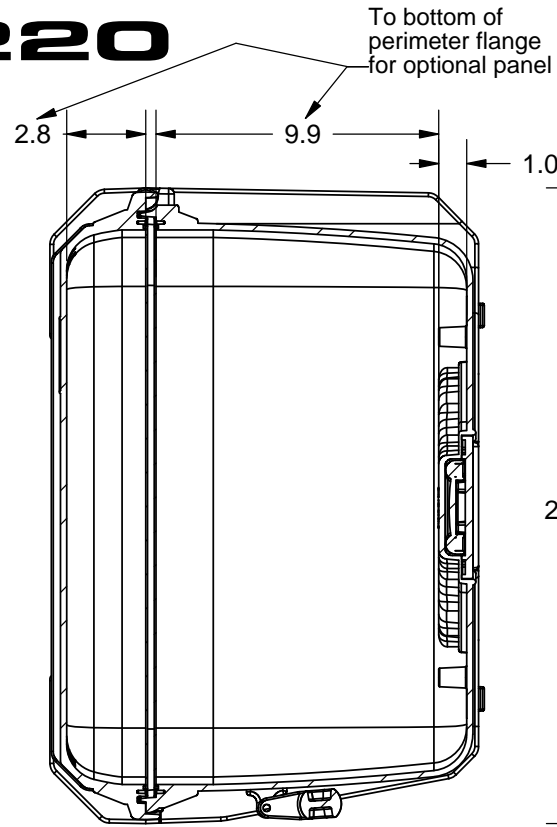
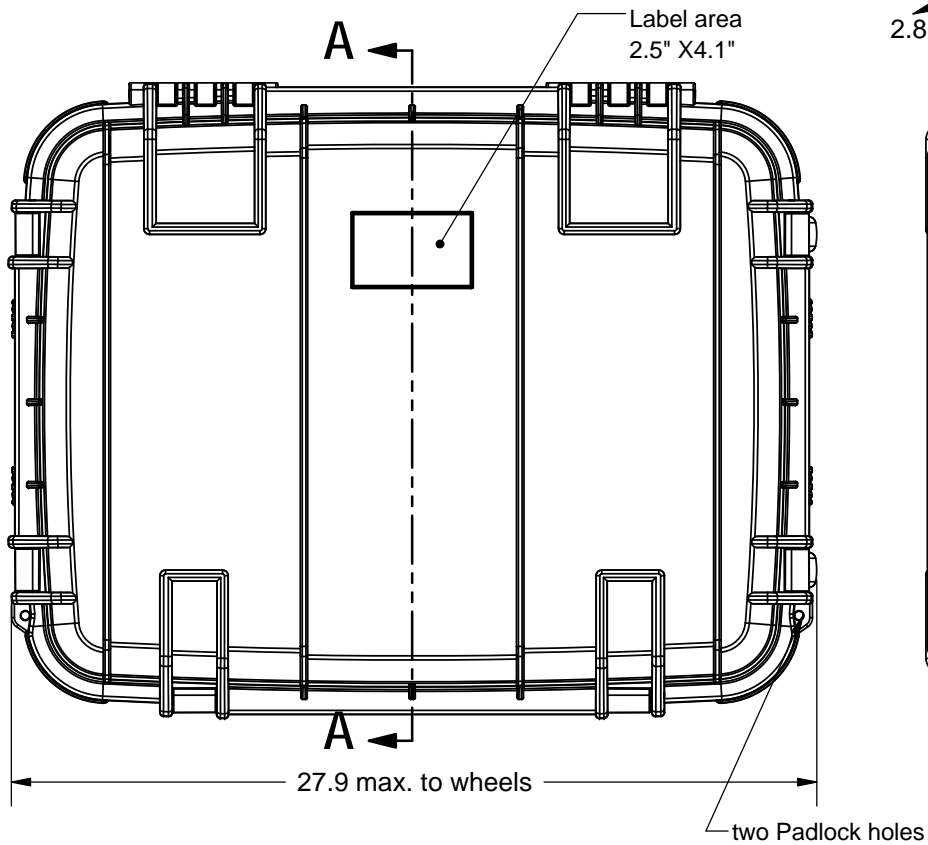


# SERPAC SE1220

Electronic Enclosures



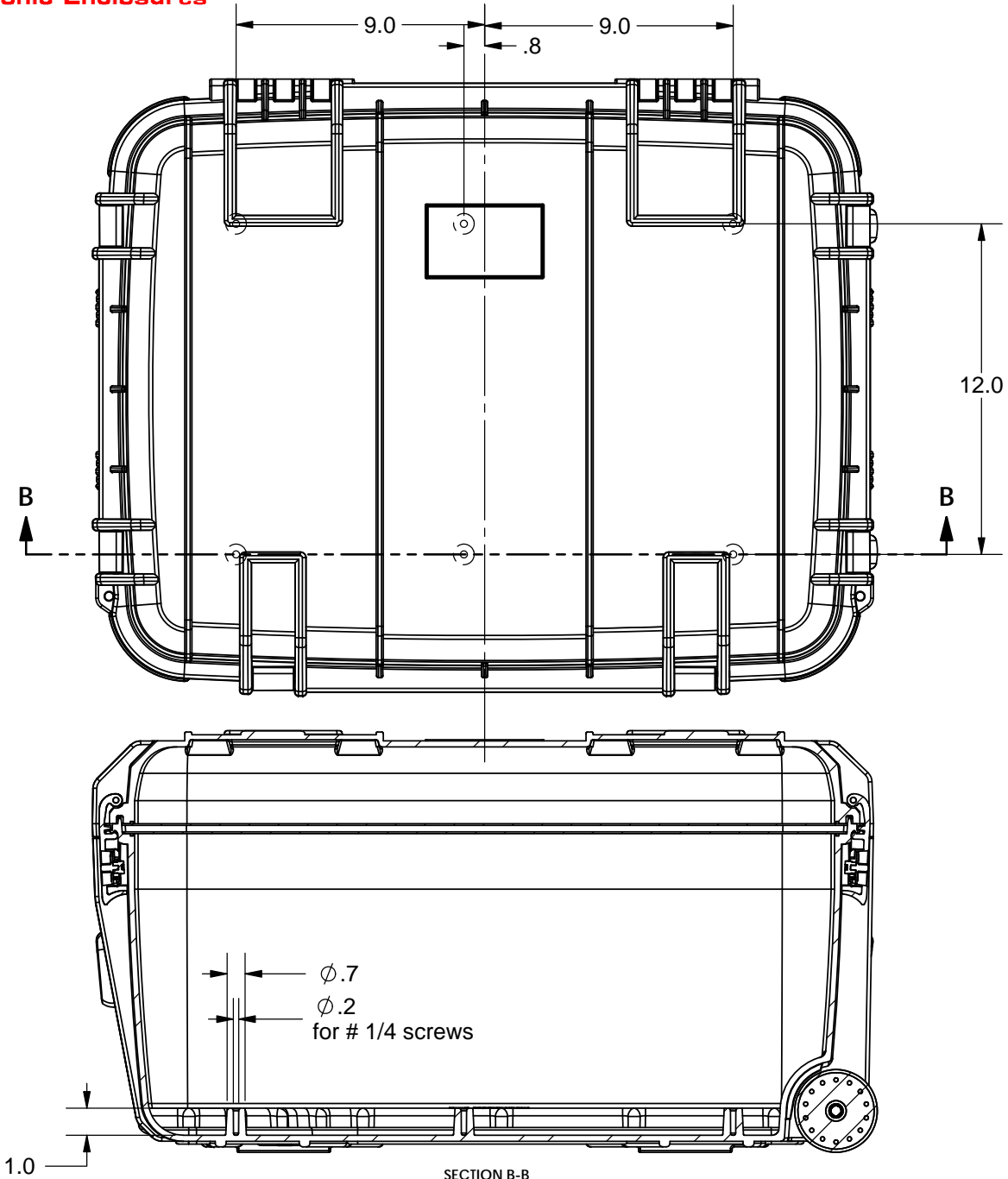
Optional latches must be specified at time of order. See note 2

#### NOTES:

- 1) Max. usable inside dimensions are:  
**25 11/16" X 19 1/2" X 13 1/8"** (13 7/8" bottom of step)  
 (25.7" X 19.5" X 13.1")
- 2) With Metal Lock Latches p/n SE1220ML and Plastic Lock Latches p/n SE1220PL are optional.

# SERPAC SE 1220

Electronic Enclosures



SECTION B-B  
SCALE 1 : 6