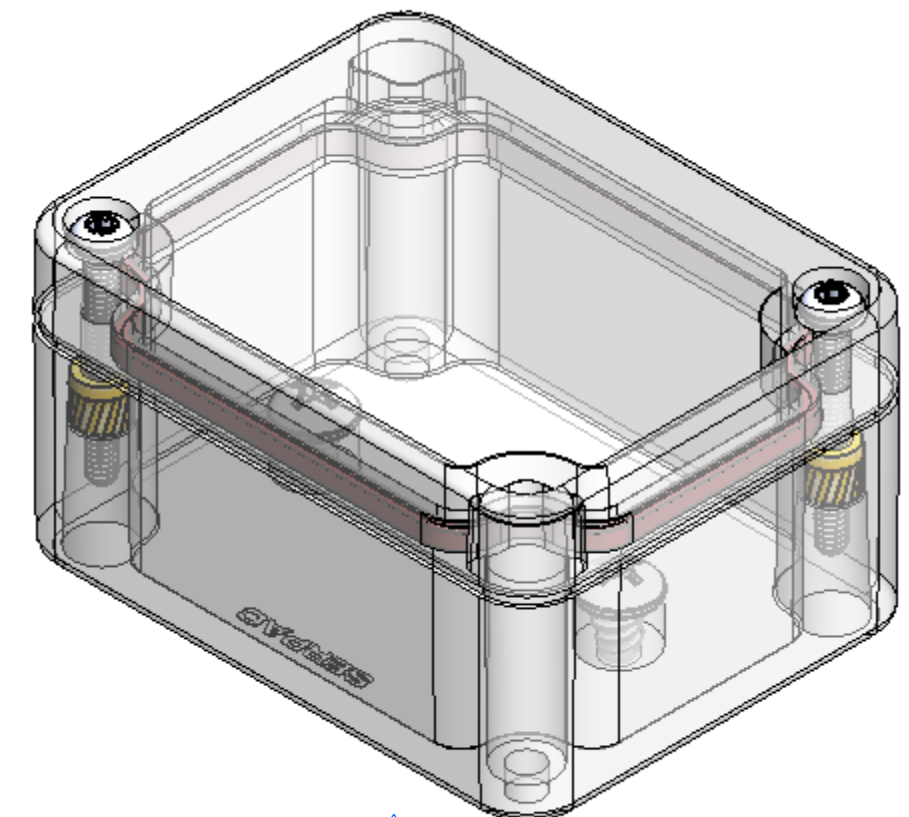
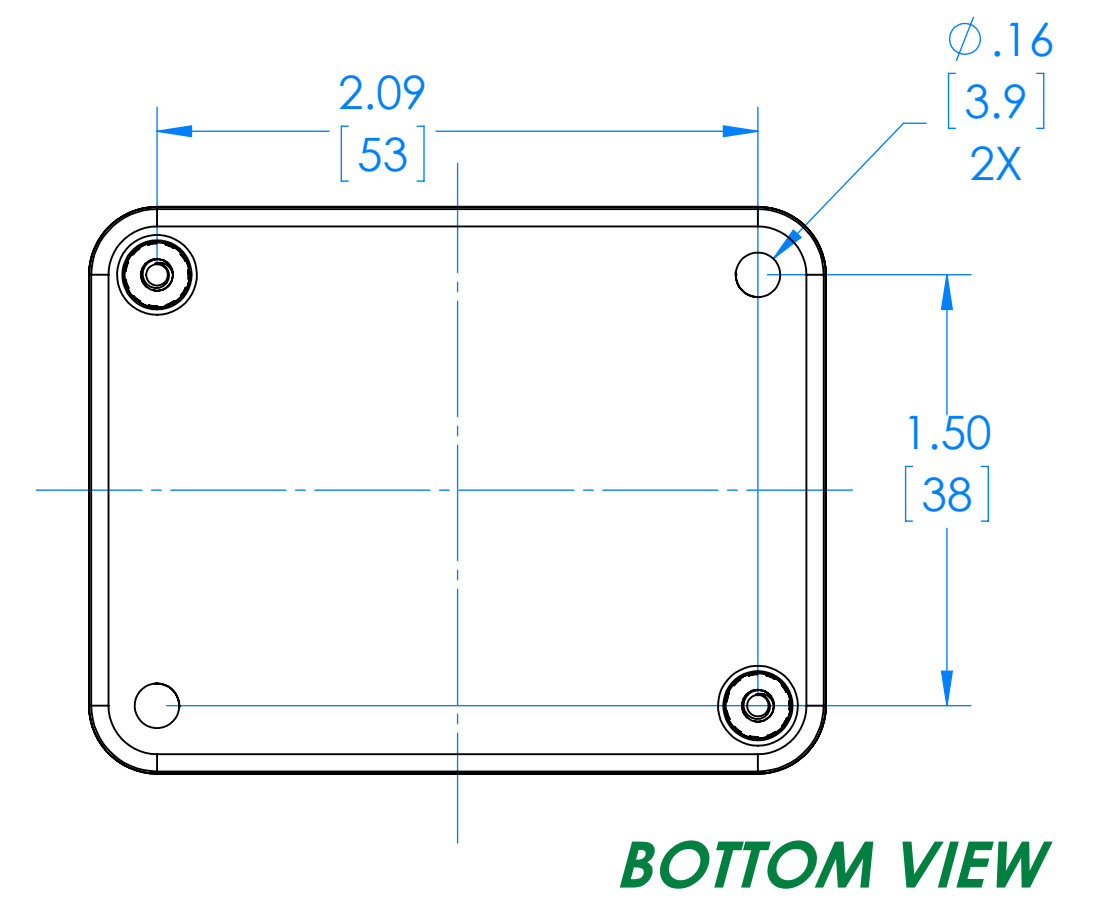
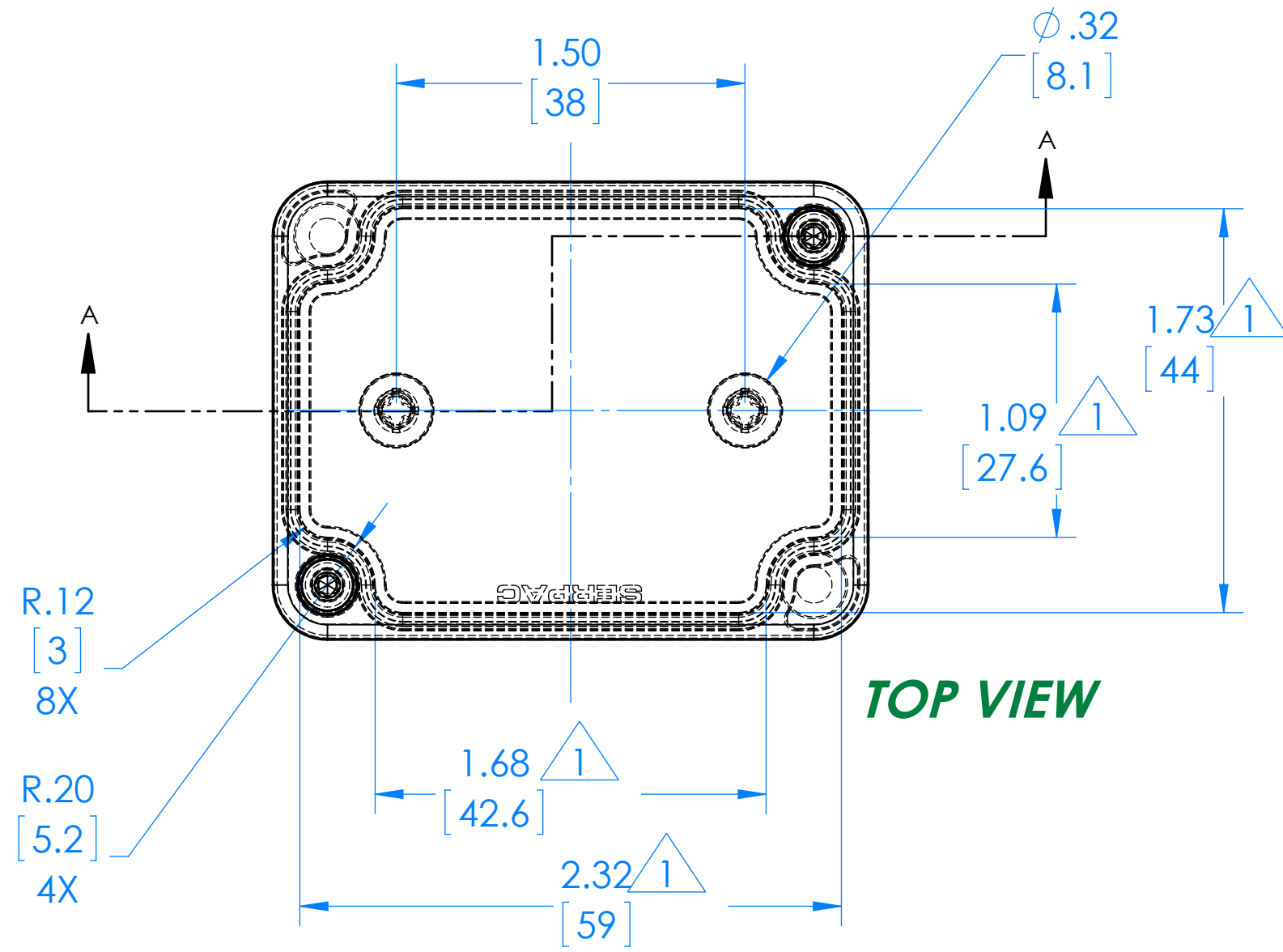
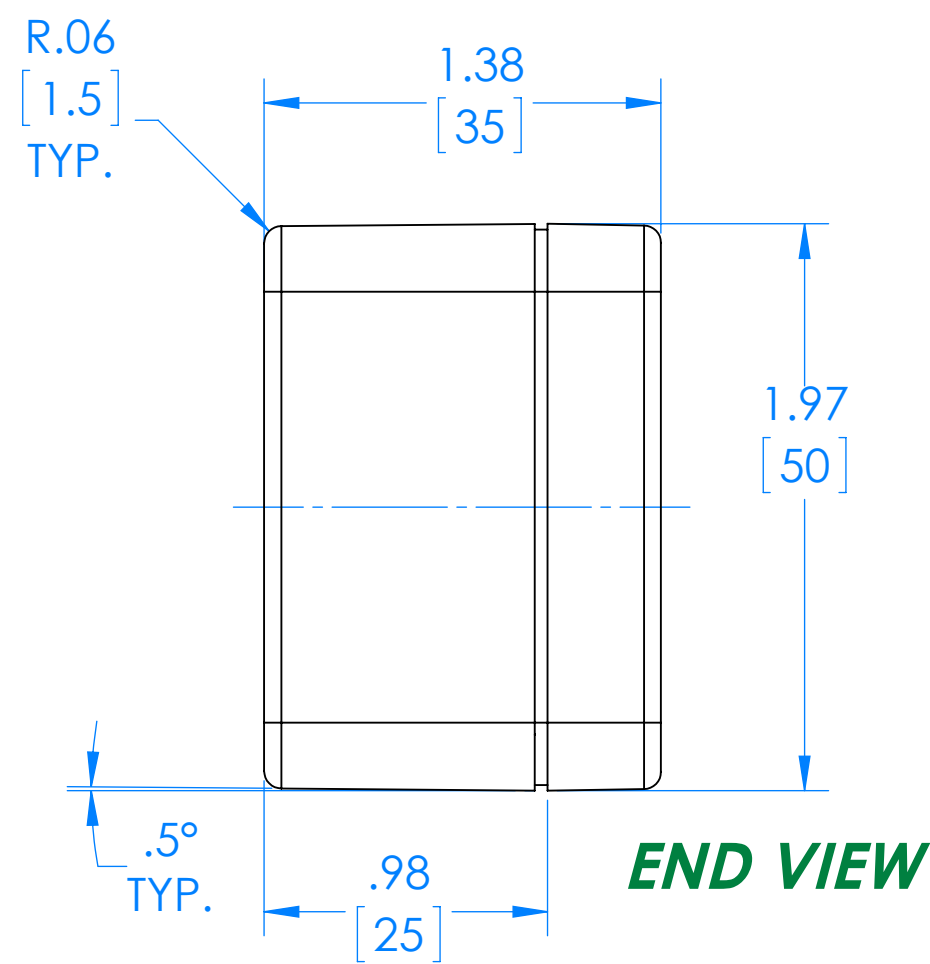
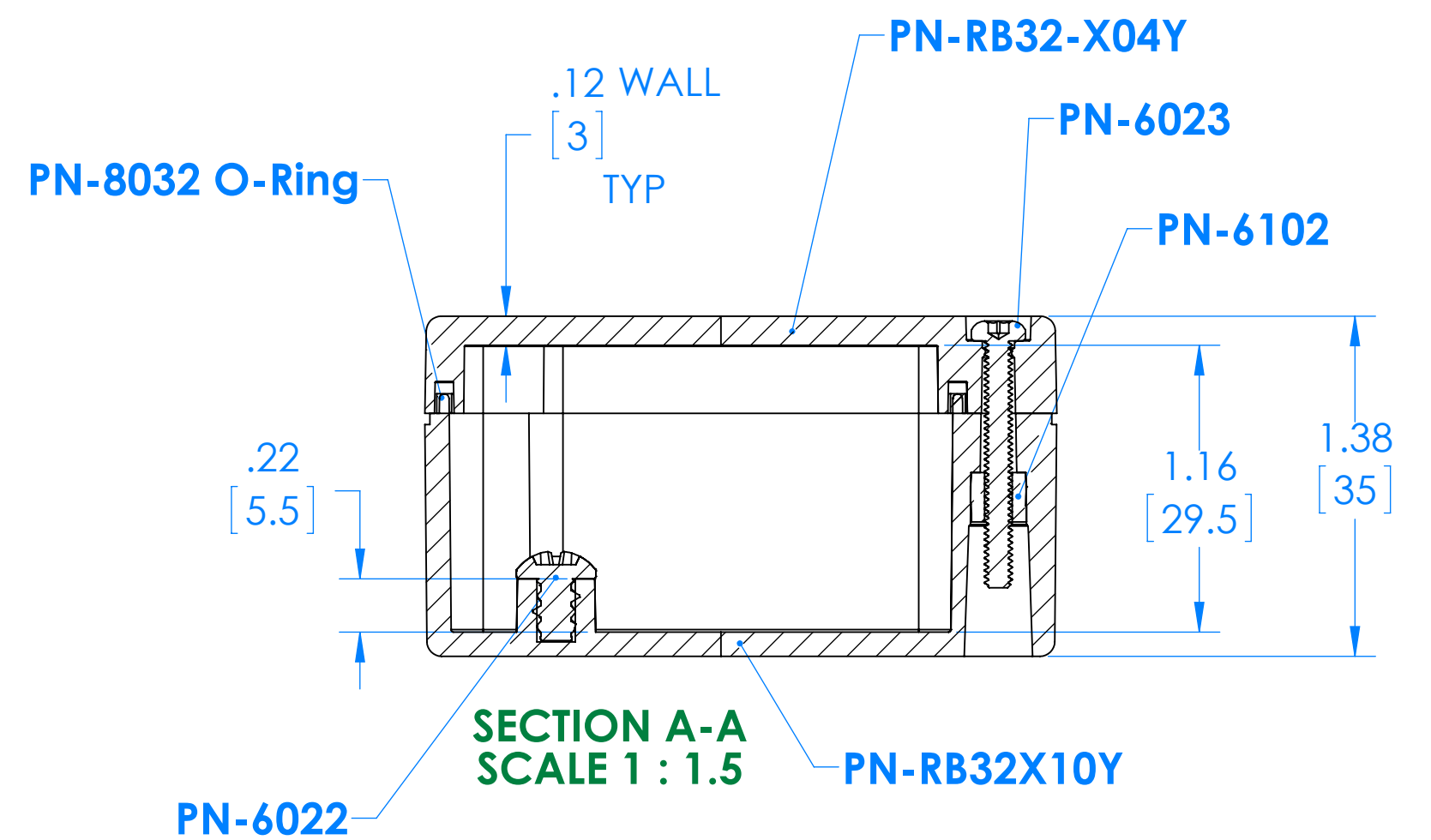
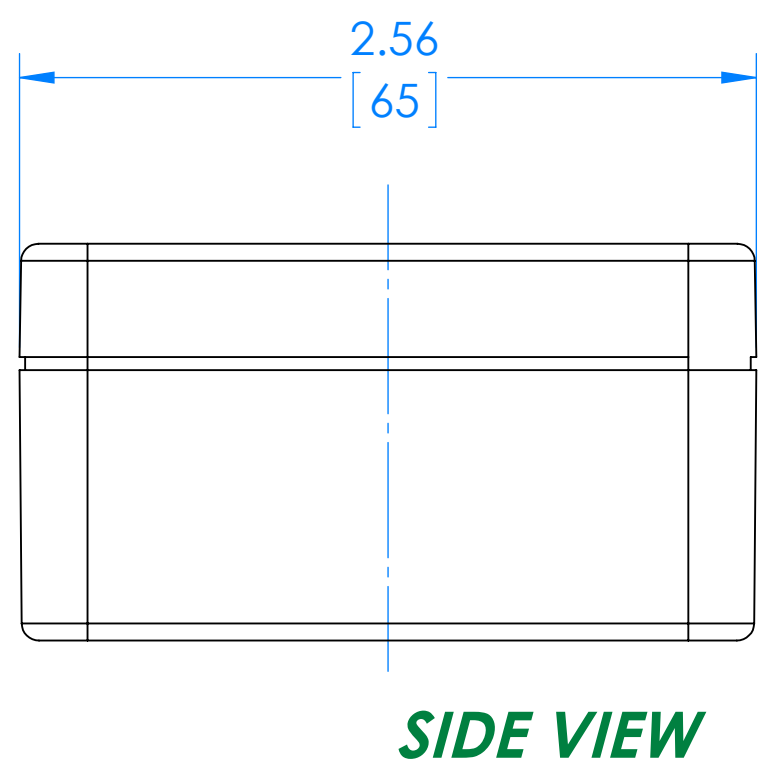


SERPAC RB32X04Y10Y 2

Electronic Enclosures



RB32X04C10C 2
(Part shown, no material (X) specified)



PN	Description
RB32-X04Y	(1) RB32-X04Y, Top
RB32X10Y	(1) RB32X10Y, Bottom
8032	(1) RB32 O-Ring
6023	(4) #4-40 Torx 10 Hd Screw
6022	(4) #10 High/Low Pan Hd x 1/4"
6102	(4) #4-40 Threaded Insert

1 =INTERIOR DIMENSIONS (@ BOTTOM)
2 =STANDARD COLORS (Y) ARE: BLACK (B), CLEAR (C) AND GRAY (G)
 TOPS AND BOTTOMS ALL POSSIBLE COMBINATIONS AVAILABLE
 STANDARD MATERIALS (X) ARE: POLYCARBONATE (P) AND ABS (A)

-Watertight enclosure meets or exceed Nema 4 and or IP67. DIMENSIONS in Inch [mm]