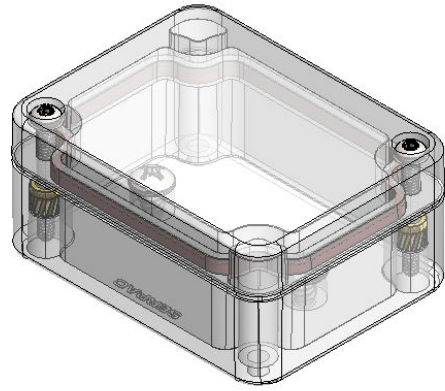
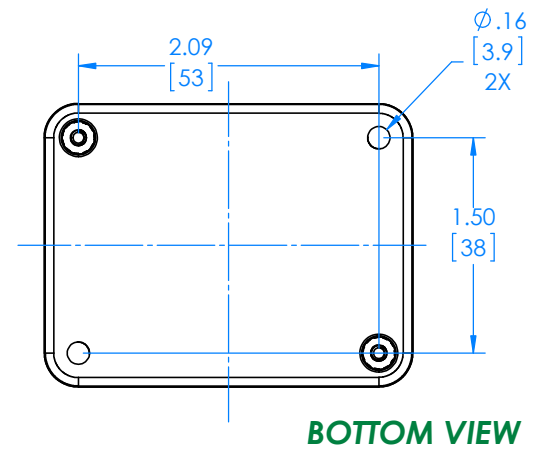
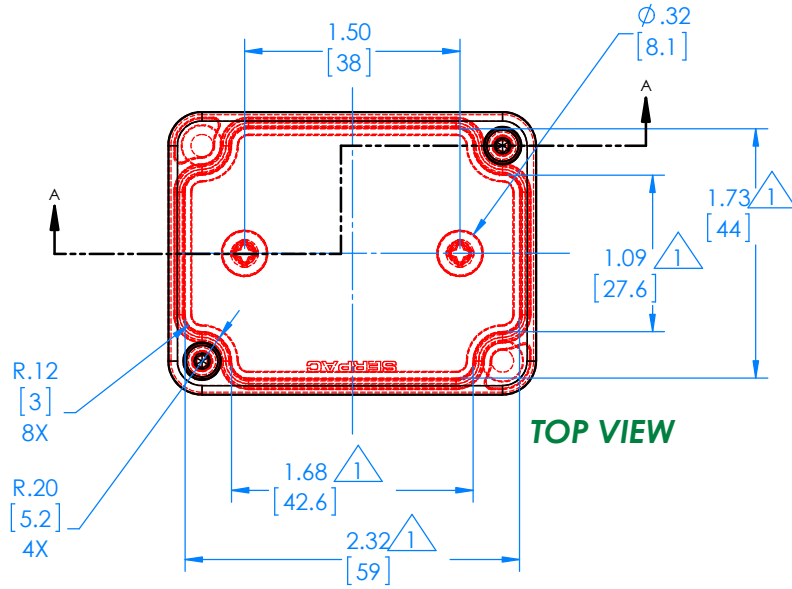
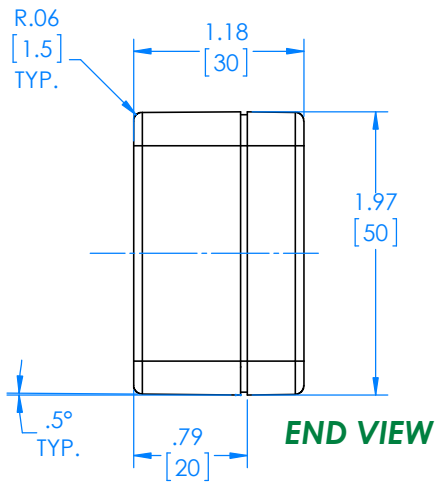
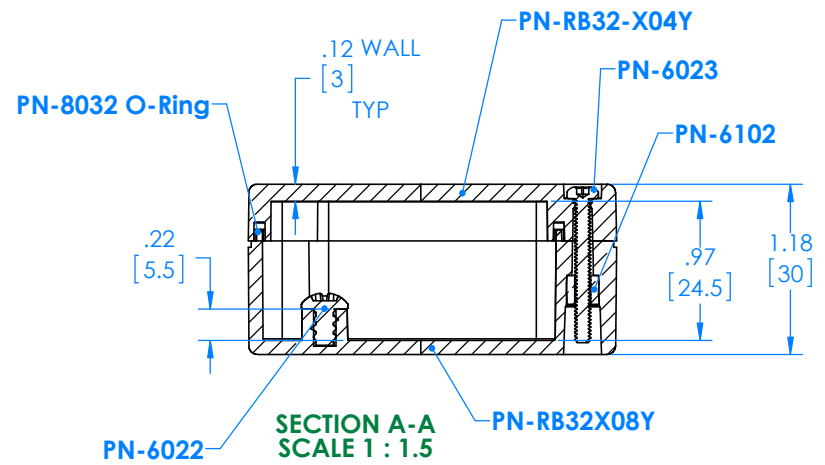
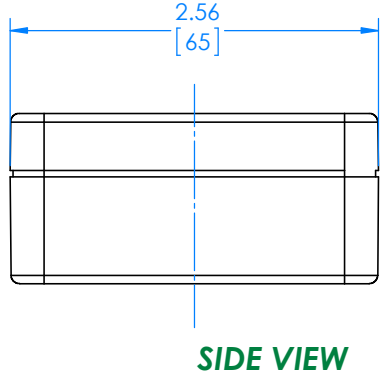


# SERPAC RB32X04Y08Y 2

Electronic Enclosures



**RB32X04C08C 2**  
(Part shown, no material (X) specified)



PN	Description
RB32-X04Y	(1) RB32-X04Y, Top
RB32X08Y	(1) RB32X08Y, Bottom
8032	(1) RB32 O-Ring
6023	(4) #4-40 Torx 10 Hd Screw
6022	(4) #10 High/Low Pan Hd x 1/4"
6102	(4) #4-40 Threaded Insert

1 = INTERIOR DIMENSIONS (@ BOTTOM)  
2 = STANDARD COLORS (Y) ARE: BLACK (B), CLEAR (C) AND GRAY (G)  
 TOPS AND BOTTOMS ALL POSSIBLE COMBINATIONS AVAILABLE  
 STANDARD MATERIALS (X) ARE: POLYCARBONATE (P) AND ABS (A)

-Watertight enclosure meets or exceeds Nema 4 and or IP67.  
 DIMENSIONS in Inch [mm]