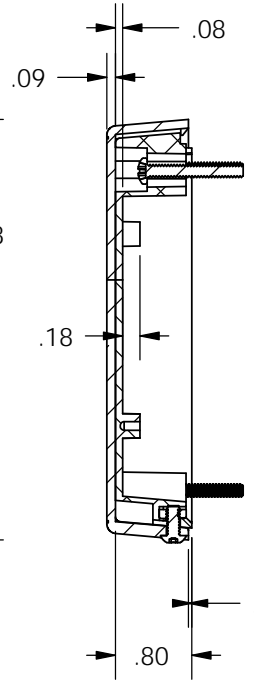
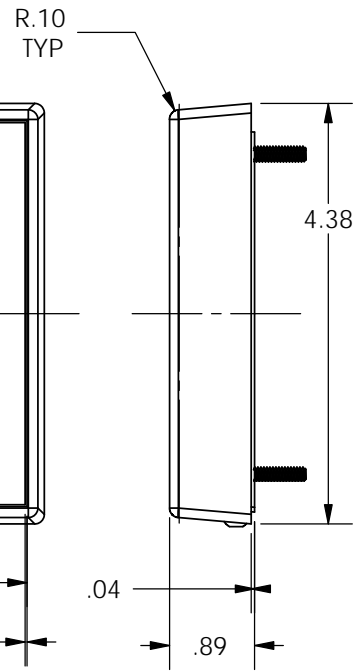
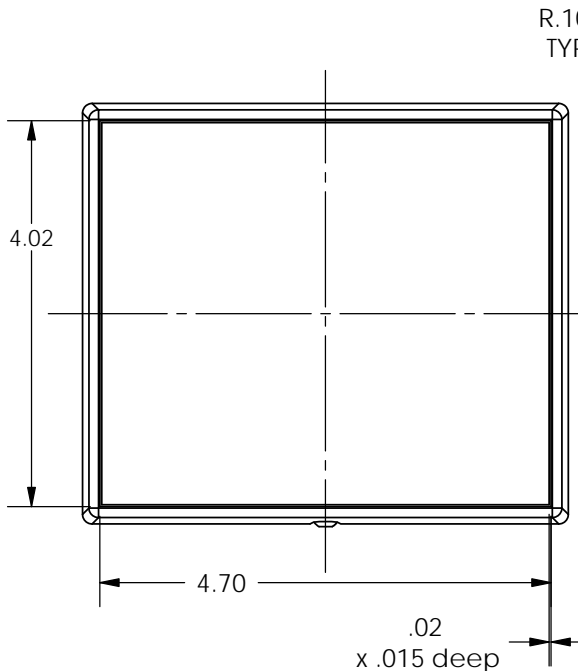
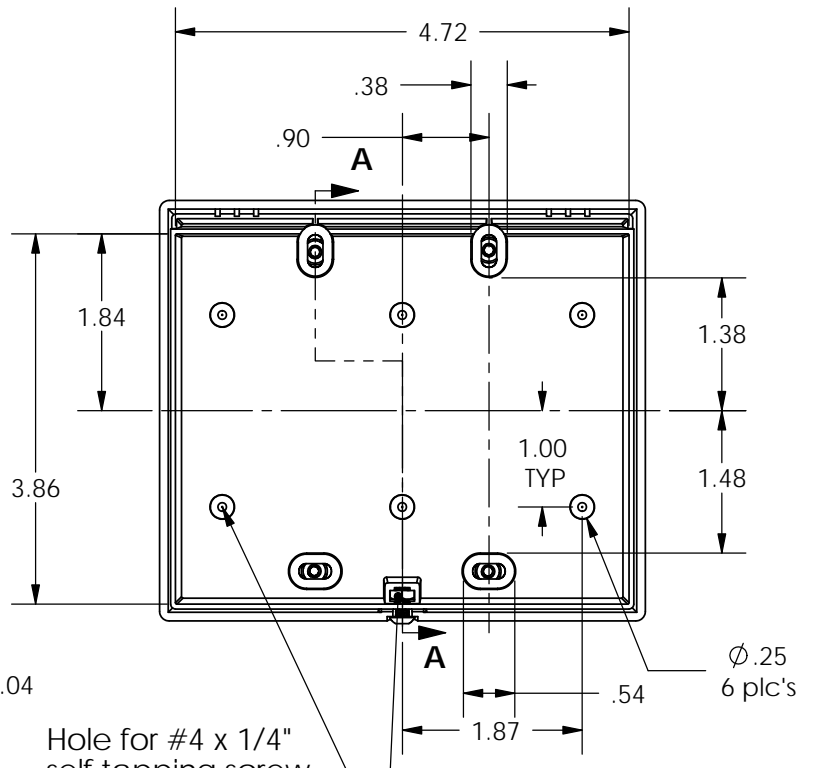


# SERPAC **G20**

Electronic Enclosures

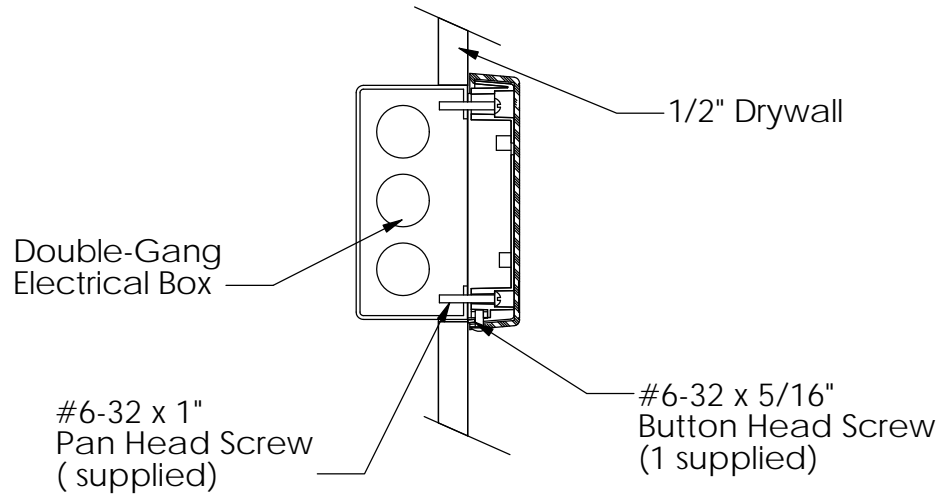
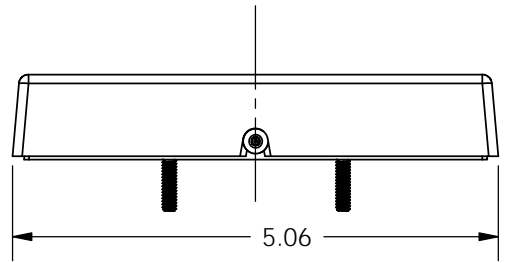


SECTION A-A  
SCALE 1 : 2



Hole for #4 x 1/4"  
self tapping screw  
6 pl.

Slot to accommodate  
#6-32 small pattern  
hex. nut (1 supplied)



NOTES: