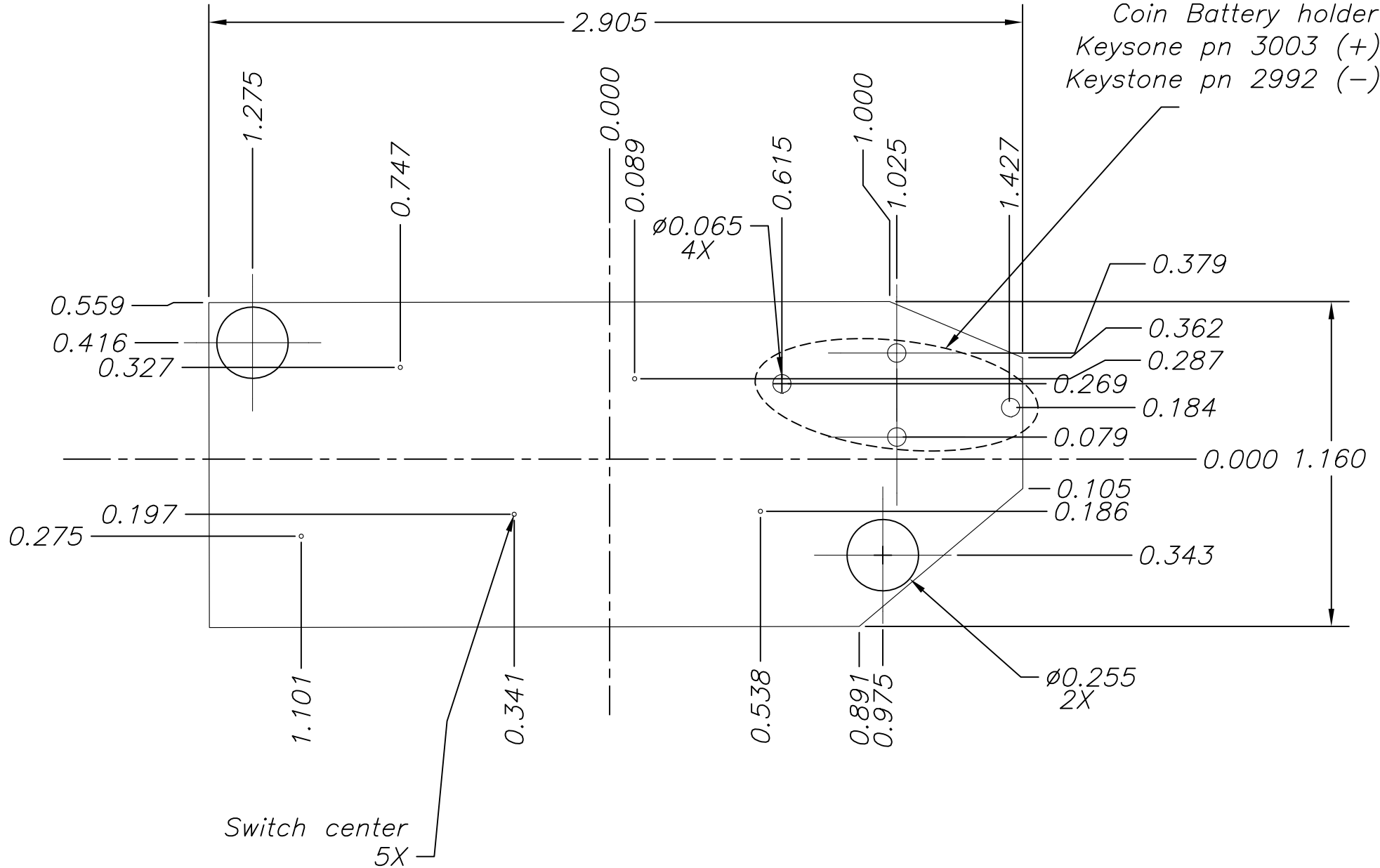


SERPAC CIRCUIT BOARD CA8

Electronic Enclosures

Pattern for
Coin Battery holder
Keystone pn 3003 (+)
Keystone pn 2992 (-)



NOTES:
Not a Stocked item.