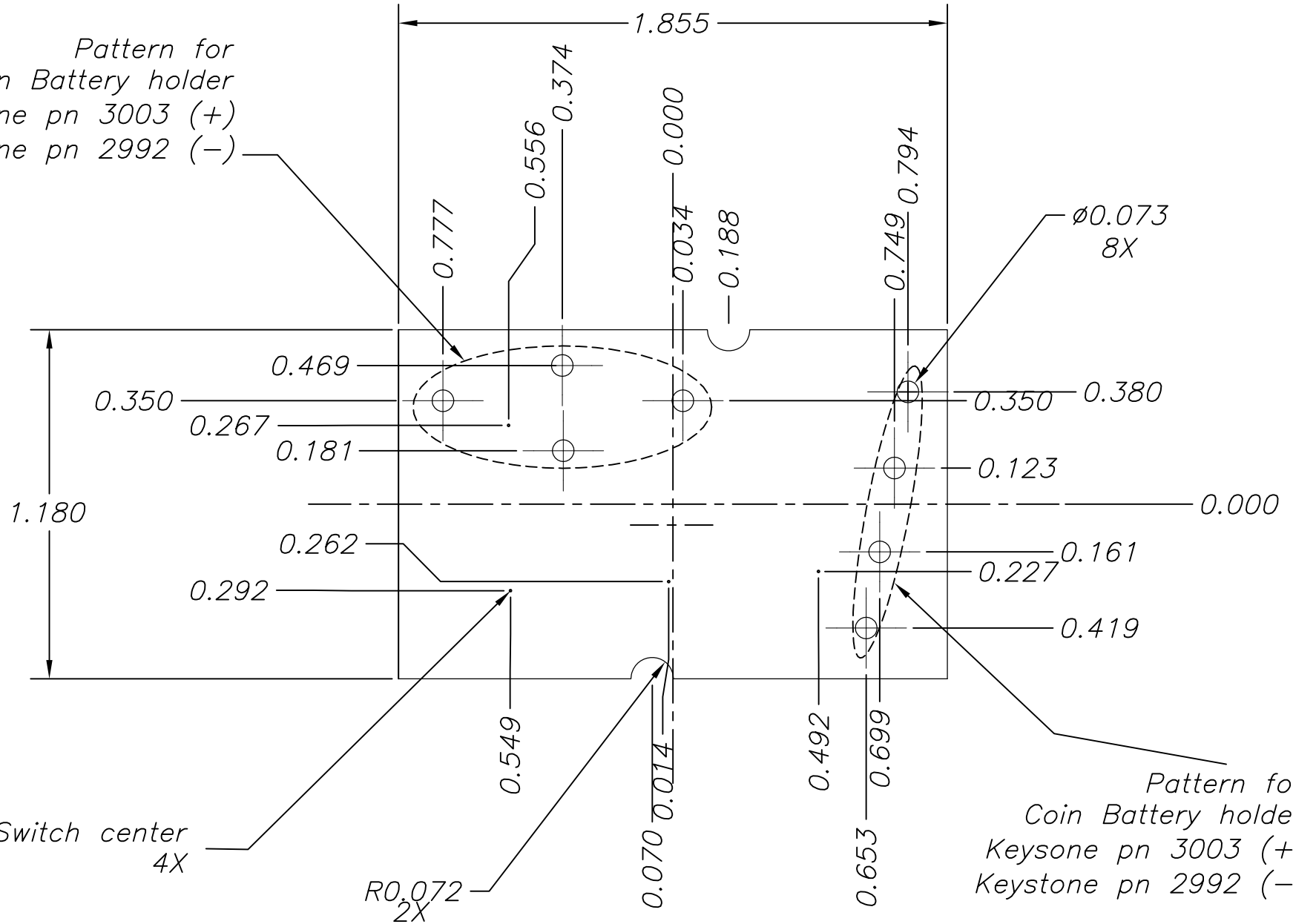


# SERPAC CIRCUIT BOARD CA4

Electronic Enclosures

Pattern for  
Coin Battery holder  
Keystone pn 3003 (+)  
Keystone pn 2992 (-)



Pattern for  
Coin Battery holder  
Keystone pn 3003 (+)  
Keystone pn 2992 (-)

NOTES:  
Not a Stocked item.