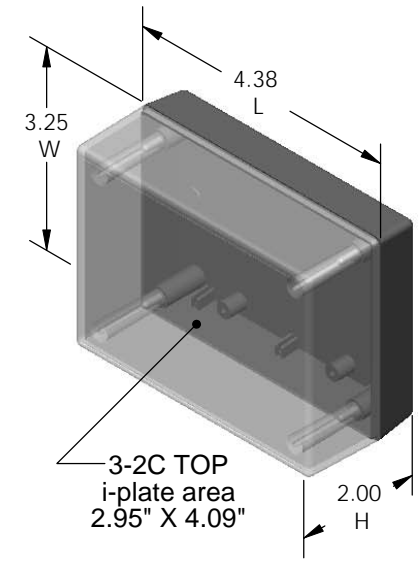
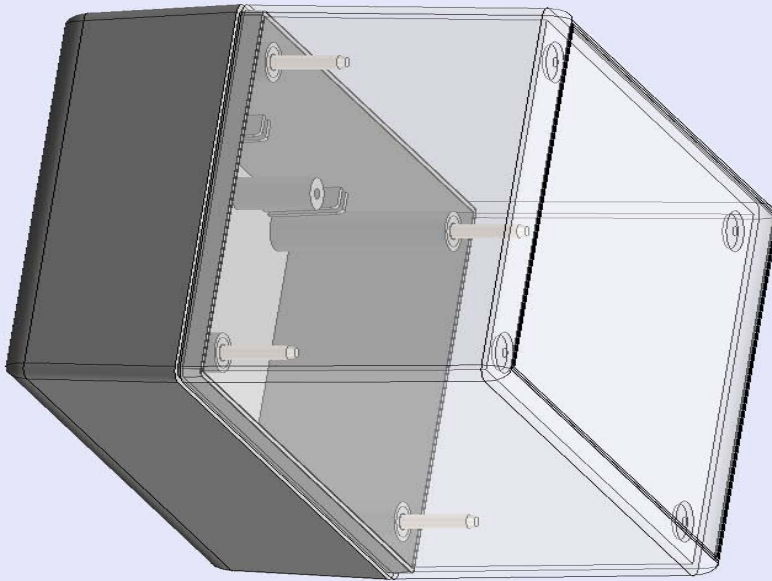


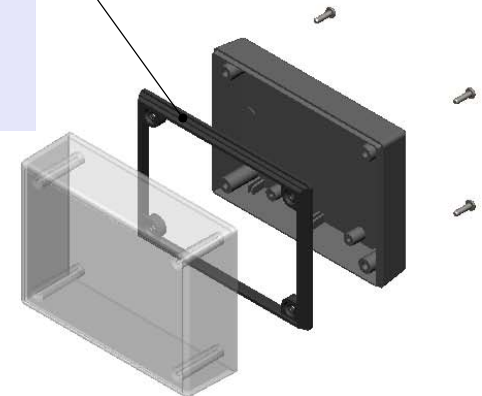
# SERPAC 132C (3D exploded)

Electronic Enclosures

- Click on image to show toolbar. Use ▶ || to Play/Pause Animation\*.
- Left click and drag on image to move 3D model.



Water proofing gasket  
 PS13 optional.  
 see note #2



- a) Zoom in & out with center wheel.
  - b) Pause at any moment to view and or print views.
  - c) Change the views to ortho and section views if needed from the Views pull down menu.
  - d) Explore options included in the tool bar like: Views, Transparency of model, Lighting type, etc.
- \*(To have full interaction with the animated PDF files, please use free Adobe Reader 9 or newer version.)

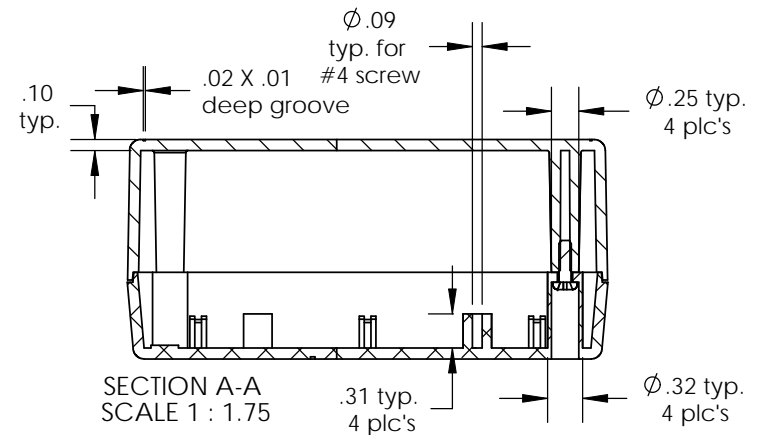
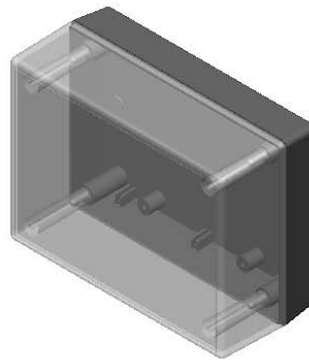
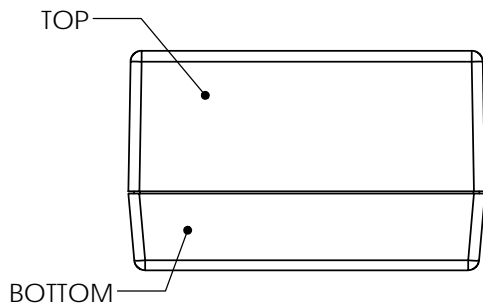
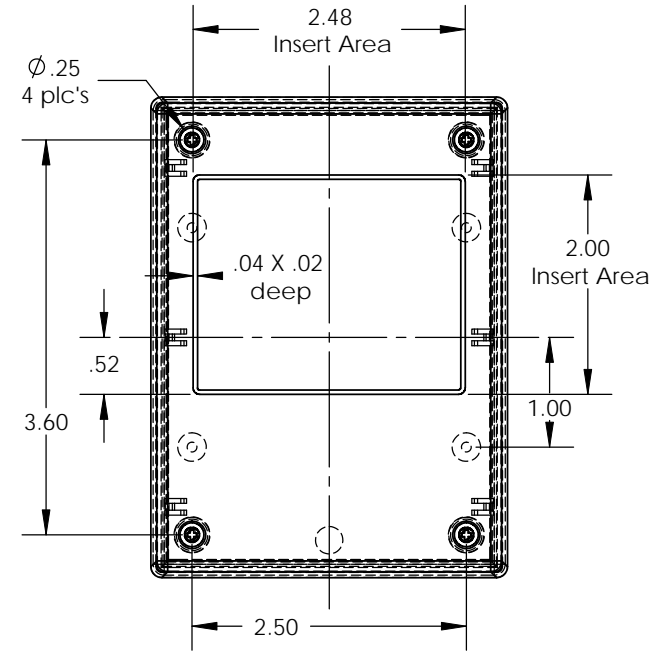
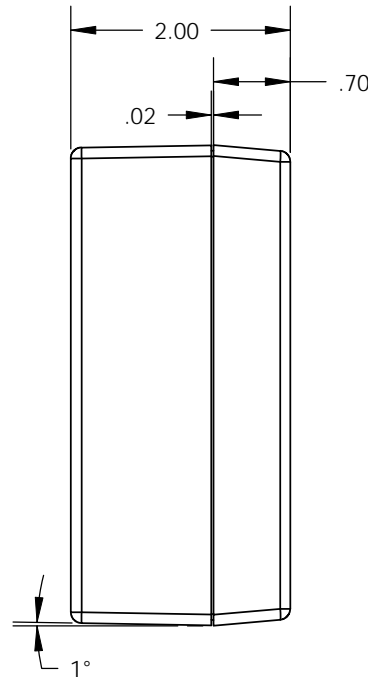
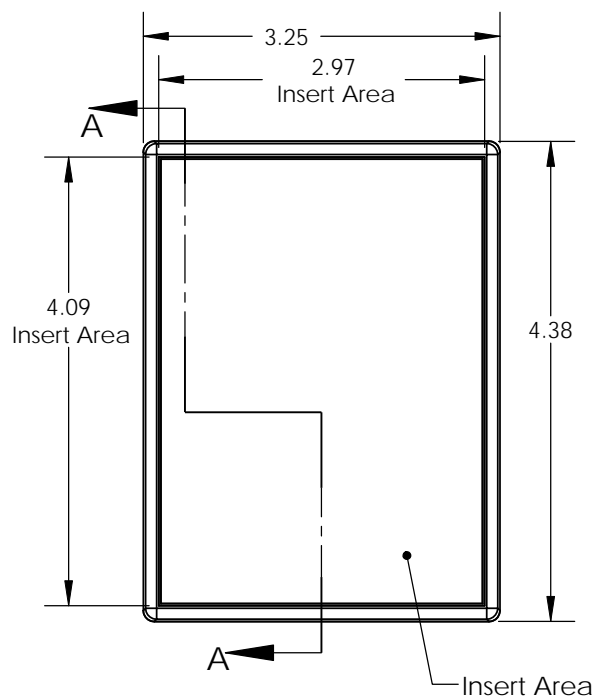
PART NO.	DESCRIPTION (Included)	ACCESSORIES (Optional) More available; see website.	
3-2C	TOP (Clear Polycarbonate)	PART NO.	DESCRIPTION
13	BOTTOM	50	Non-skid Feet
6005	#4X3/8" Self tapping (4)	PS13	Perimeter Seal
		330	Prototype grid board
		430	Prototype clad board

Notes: Enclosure weight .24 lbs / 108 gm  
 1) Enclosure meets or exceeds IP40 and NEMA 1  
 2) When used with PS13 the enclosure meets or exceeds IP 67 and NEMA 4X, 12 and 13 MIL-STD-810G 506.5  
 3) Circuit Board drawings can be download at:  
<http://www.serpac.com/Accessories/CircuitBoard/drawings/330-430-cbg.pdf>  
 4) All components are RoHS Compliant.

ALL DIMENSIONS ARE ±.010" 5/12/10 (1 of 2)  
 2009 Wright Ave. La Verne, CA 91750  
 Ph. (626) 331-0517 Fx. (626) 331-8584 serpac.com

# SERPAC 132C (user print)

Electronic Enclosures



PART NO.	DESCRIPTION (Included)	ACCESSORIES (Optional) More available; see website.	
3-2C	TOP (Clear Polycarbonate)	PART NO.	DESCRIPTION
13	BOTTOM	50	Non-skid Feet
6005	#4X3/8" self tapping (4)	PS13	Perimeter Seal
		330	Prototype grid board
		430	Prototype clad board

- Notes: Enclosure weight .24 lbs / 108 gm
- 1) Enclosure meets or exceeds IP40 and NEMA 1
  - 2) When used with PS13 the enclosure meets or exceeds IP 67 and NEMA 4X, 12 and 13 MIL-STD-810G 506.5
  - 3) Circuit Board drawings can be download at: <http://www.serpac.com/Accessories/CircuitBoard/drawings/330-430-cbg.pdf>
  - 4) All components are RoHS Compliant.

**ALL DIMENSIONS ARE ±.010" 5/12/10 (2 of 2)**  
 2009 Wright Ave. La Verne, CA 91750  
 Ph. (626) 331-0517 Fx. (626) 331-8584 [www.serpac.com](http://www.serpac.com)